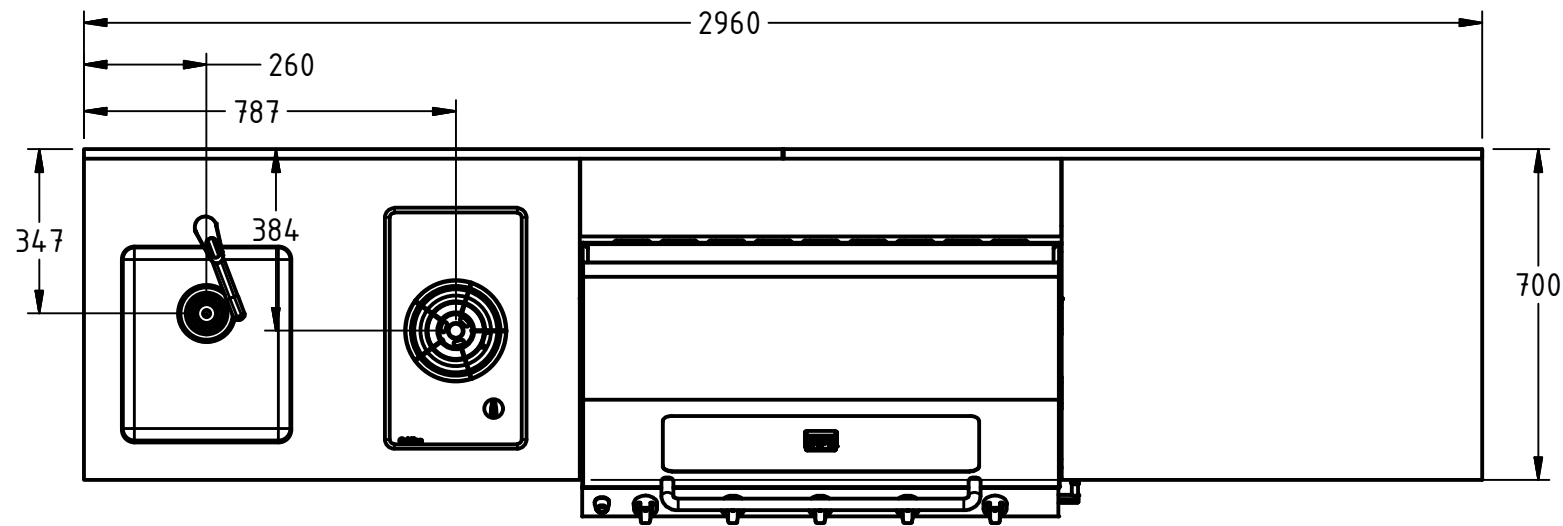
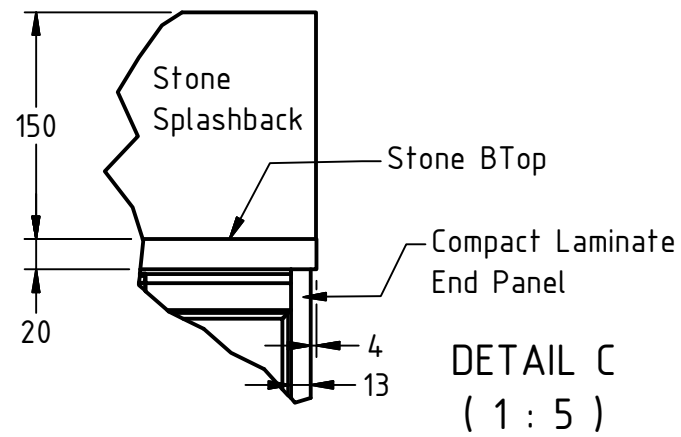


DOOR/DRAWER FRONT SPECIFICATION	
Feature	Specification
Material	Alum/Glass
Thickness	D=21mm
Glass Profile	PLAIN
Surface	Painted (Inside)
Colour Name	"BOGART"
Colour Chart	"Dulux"

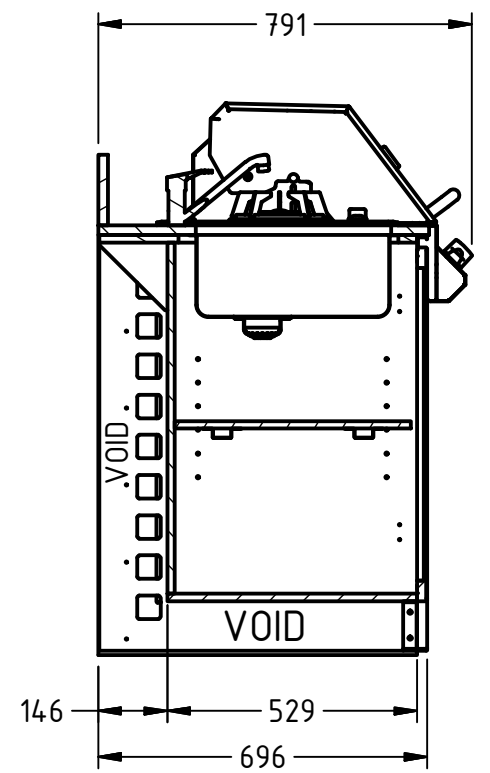
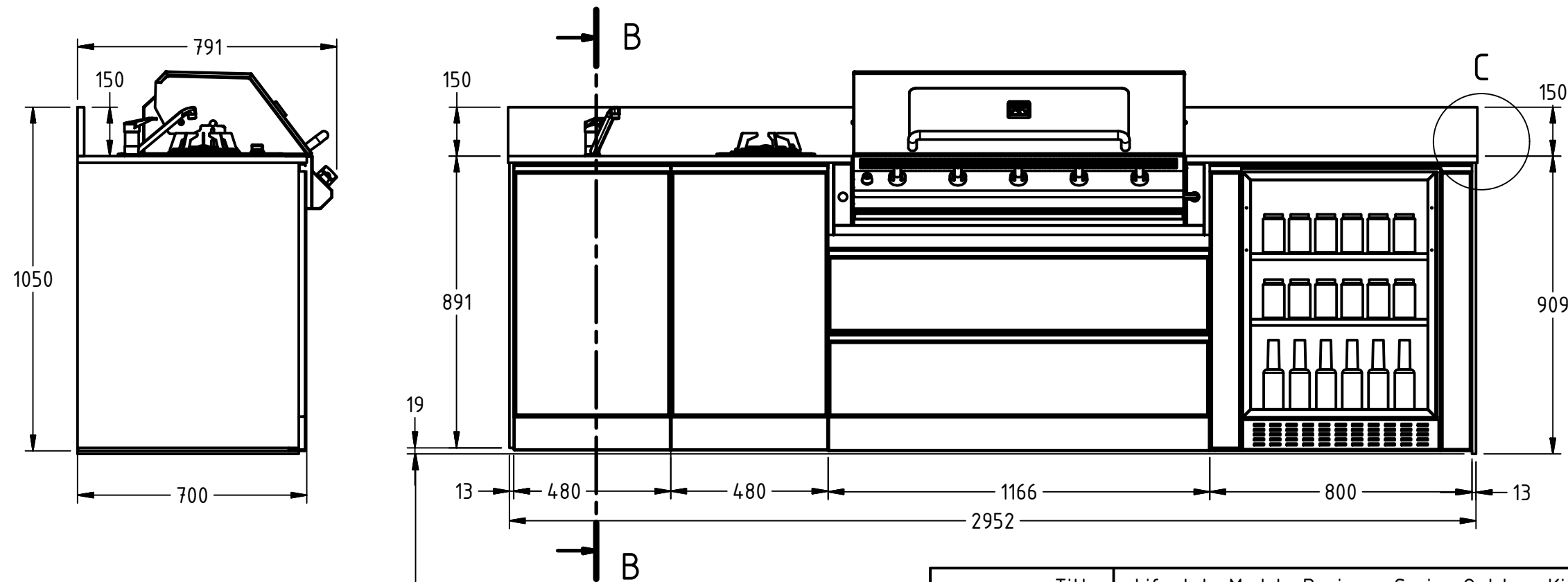


BENCHTOP SPECIFICATION	
Feature	Specification
Material	Granite
Thickness	t=20mm
Edge Face	H=20mm
Surface Finish	Polished
Colour Name	"INDIAN JET BLACK"

END PANEL SPECIFICATION	
Feature	Specification
Material	Compact Laminate
Thickness	13mm
Edge Face	13mm
Colour	"MANGANESE"



SECTION B-B (1 : 16)



Concrete slab falls 19mm over W=2952mm of Outdoor Kitchen. CLEP and PLN components are dimensioned to suit same fall after tiling is complete

REVISION HISTORY		
REV	REASON FOR CHANGES	DATE
0	Initial released for customer approval	

	GEN. TOL	
	Linear	Angular
X	± 1.0	± 2°
X.X	± 0.6	± 1°
X.XX	± 0.25	± 0.5°

Title: Lifestyle Modular Designer Series Outdoor Kitchen		Approved: [Signature]	
Customer Name: "Caringbah"		Date:	
Job Number:		Date:	
ABM Representative:		Date:	
Designed By:		Date:	
Approved By:		Date:	

