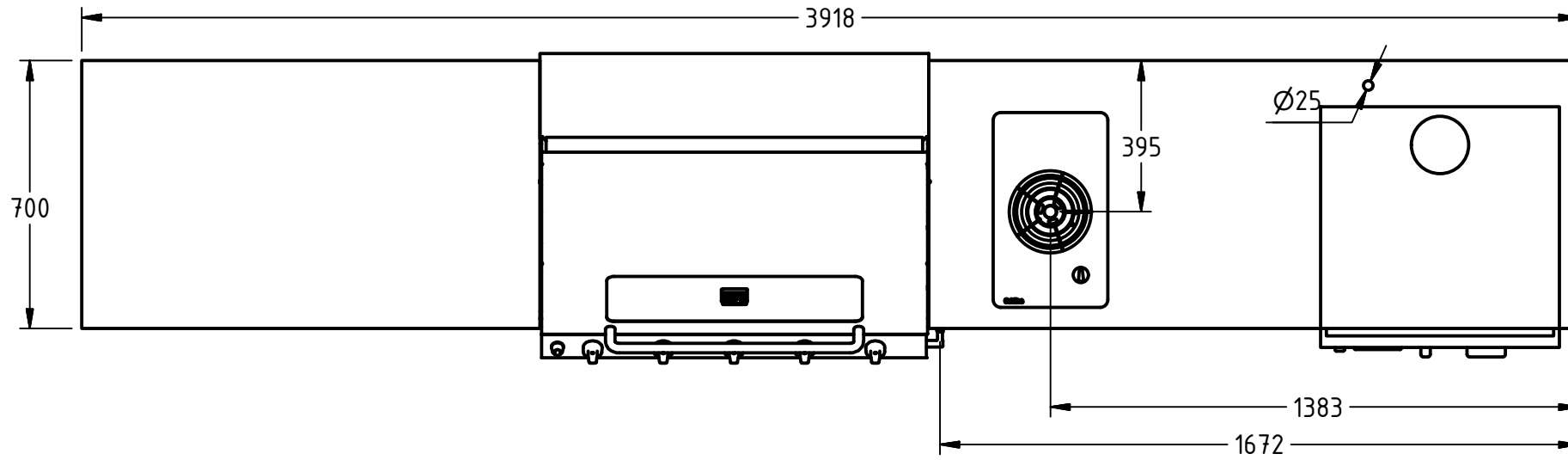
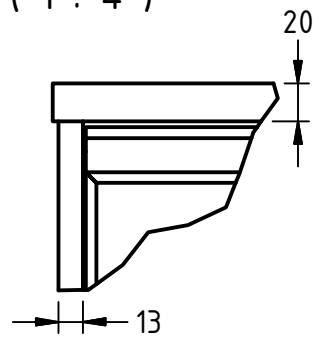
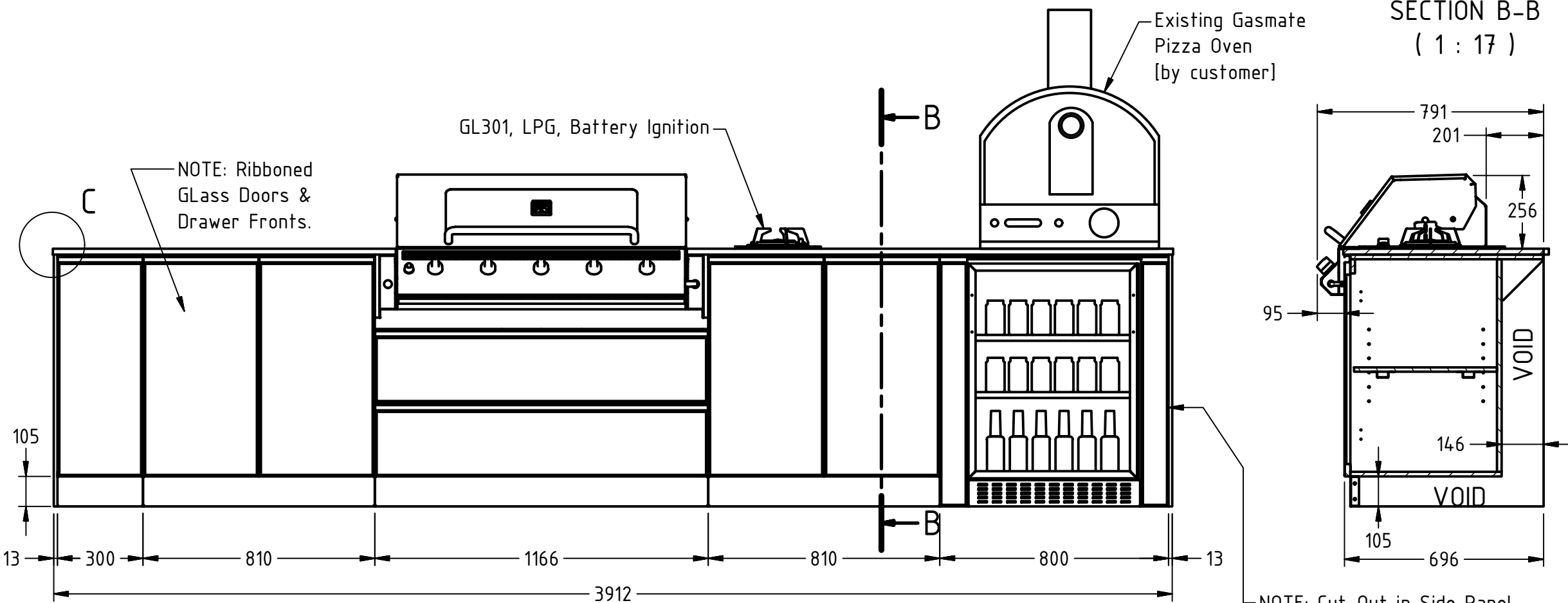


DETAIL C  
( 1 : 4 )



SECTION B-B  
( 1 : 17 )



NOTE: Overall width to RHS of Top Plate of LHS balustrade: W=3921mm

NOTE: Cut-Out in Side Panel for projection of 240V GPO

Title:		Lifestyle Modular "DESIGNER SERIES" Outdoor Kitchen	
Customer Name:		"Cremorne"	
Job Number:			
ABM Representative:		Date:	
Designed By:		Date:	
Approved By:		Date:	
Approved:		[Signature]	
Date:			

	GEN. TOL	
	Linear	Angular
X	± 1.0	± 2°
X.X	± 0.6	± 1°
X.XX	± 0.25	± 0.5°

