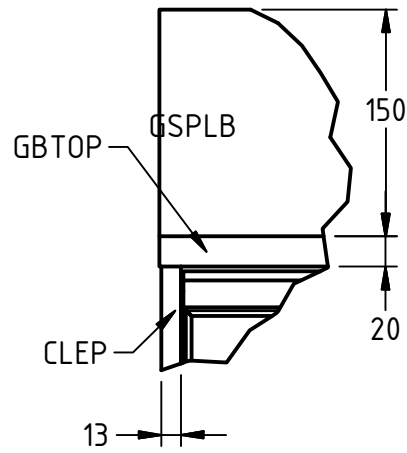
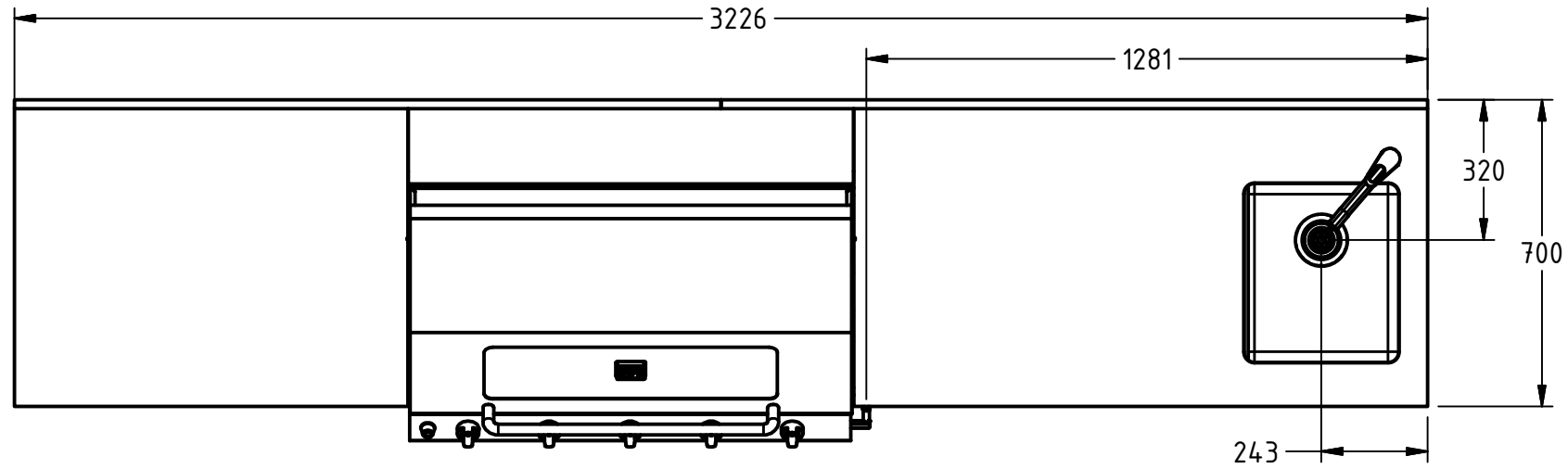
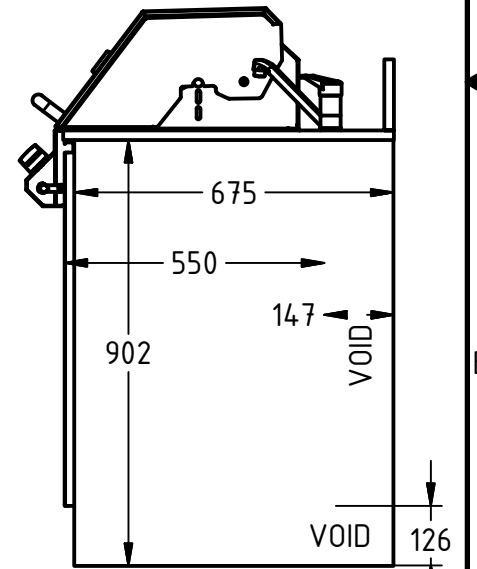
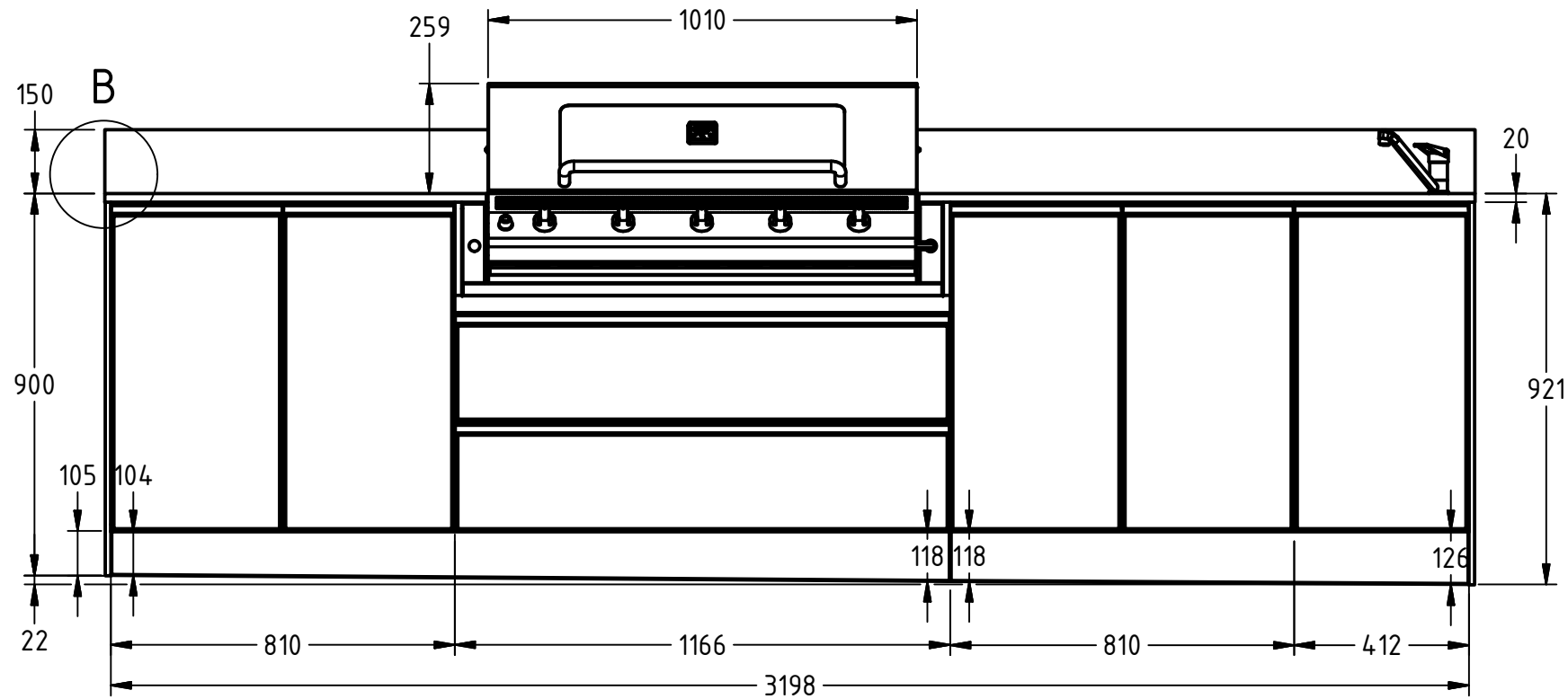
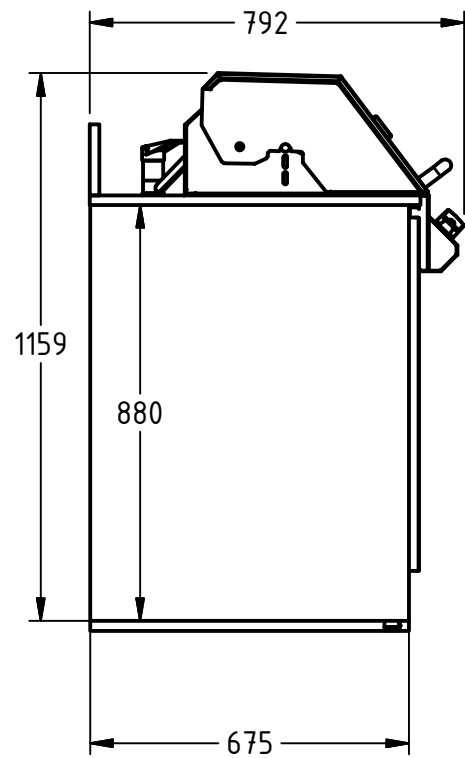


NOTE:
4: Width between columns W=3228, reminder = 1mm clearance per side



DETAIL B
(1 : 5)



VOID H=105mm at LHS;
H=126mm at RHS

NOTE: Approx slope of tiled surface = 22mm, falling from LHS to RHS

Title:		Lifestyle Modular "DESIGNER SERIES" Outdoor Kitchen	
Customer Name:		"Fairlight"	Approved: [Signature]
Job Number:		Date:	
ABM Representative:		Date:	Date:
Designed By:		Date:	Date:
Approved By:		Date:	Date:

	GEN. TOL	
	Linear	Angular
X	± 1.0	± 2°
X.X	± 0.6	± 1°
X.XX	± 0.25	± 0.5°

