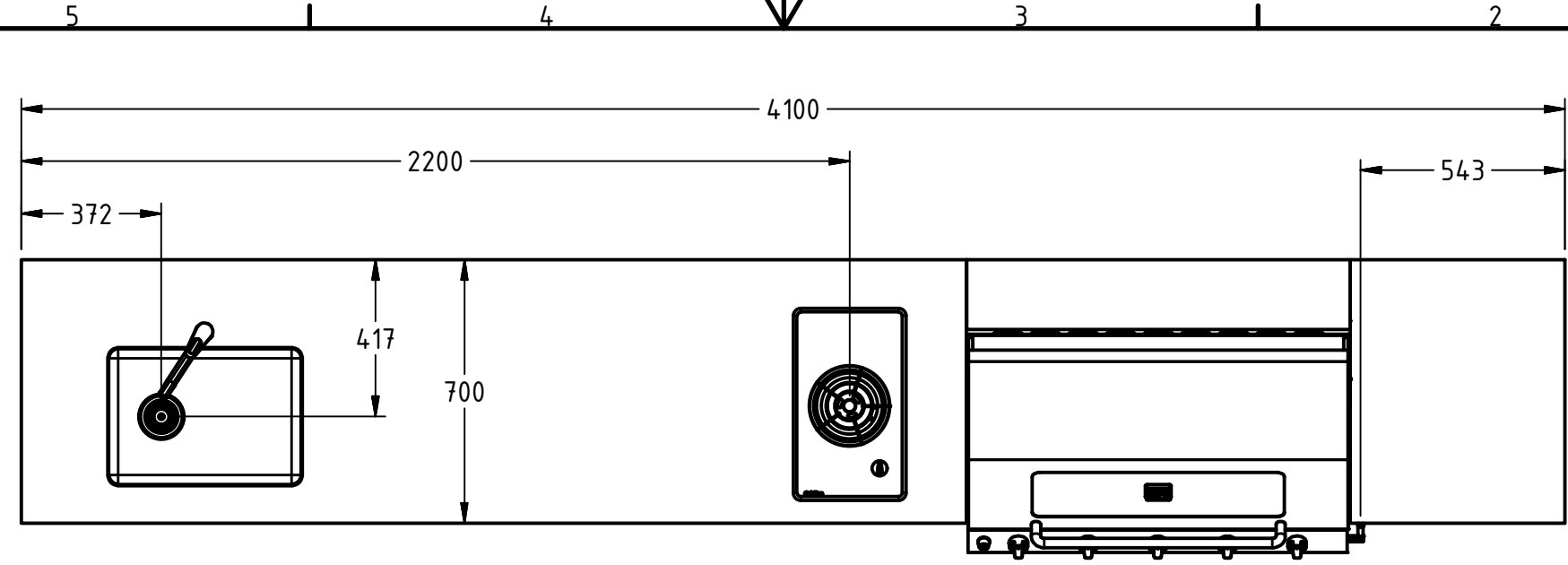
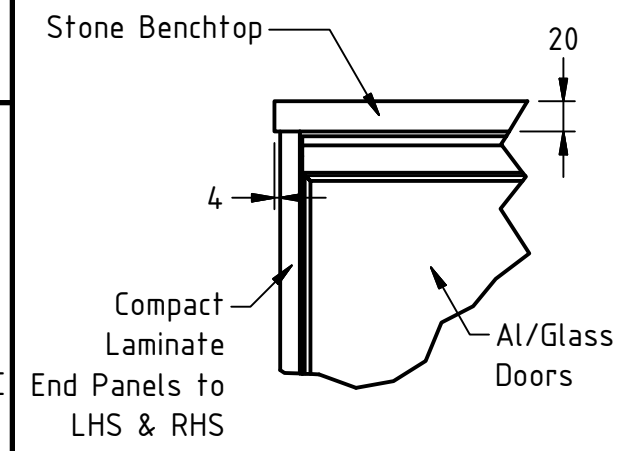


BENCHTOP SPECIFICATION	
Feature	Specification
Material	Quantum Quartz
Thickness	t=20mm
Edge Face	H=20mm
Surface Finish	Polished
Colour Name	DEF "STORM"

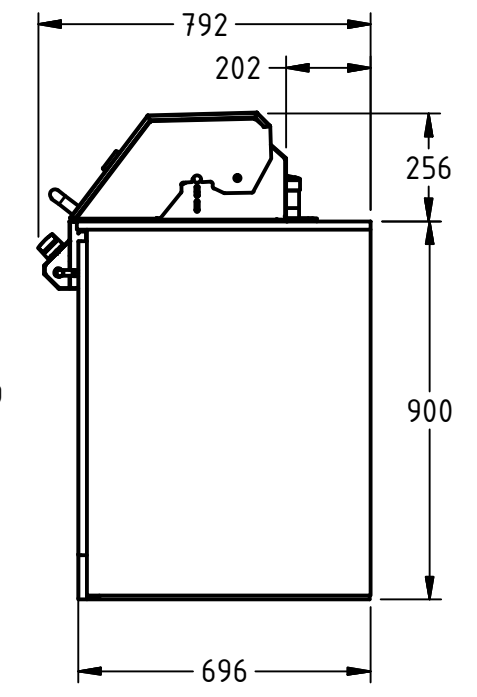
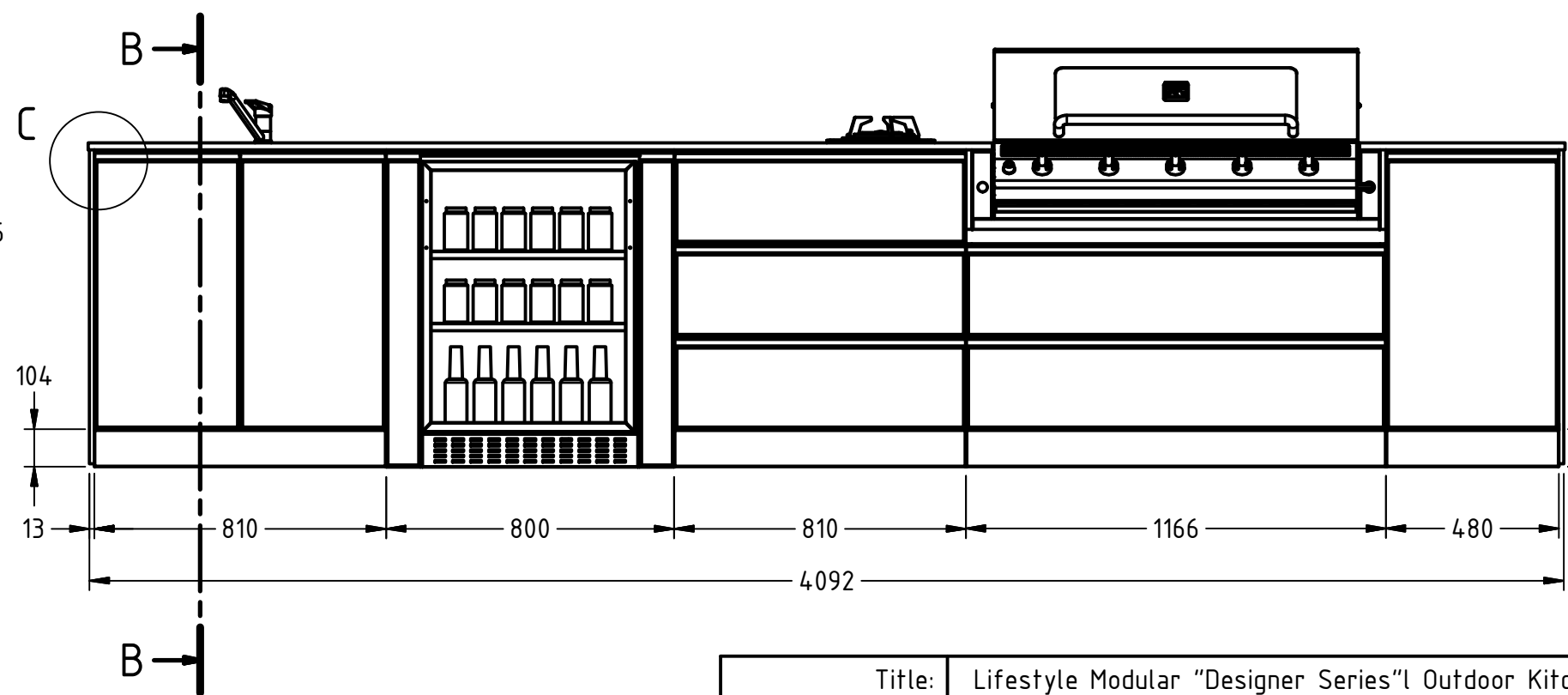
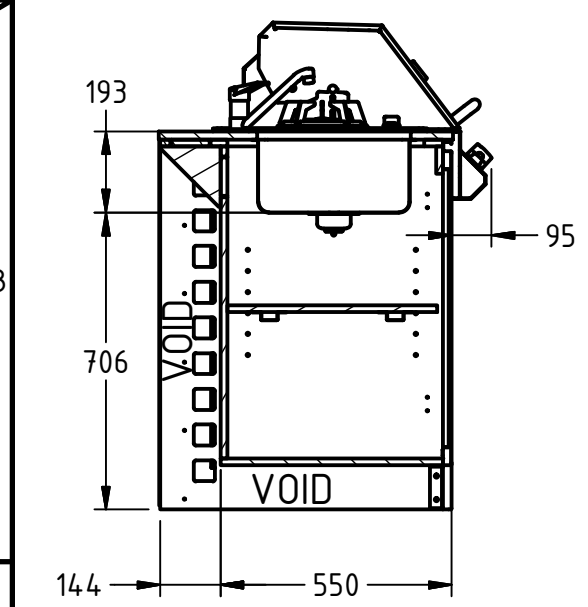
(1 : 5)



DOOR/DRAWER FRONT SPECIFICATION	
Feature	Specification
Material	Al / Glass
Thickness	t=21mm
Surface	Painted (inside)
Colour Name	"SURMIST"
Colour Chart	Dulux

END PANEL SPECIFICATION	
Feature	Specification
Material	Compact Laminate
Thickness	t=13mm
Edge Face	W=13mm
Surface Finish	Matt
Colour Name	"BESPECKLED GREY"
Colour Chart	CL Exterior

SECTION B-B
(1 : 18)



REVISION HISTORY		
REV	REASON FOR CHANGES	DATE
0	Initial released for customer review and approval	

	GEN. TOL	
	Linear	Angular
X	± 1.0	± 2°
X.X	± 0.6	± 1°
X.XX	± 0.25	± 0.5°

Title:	Lifestyle Modular "Designer Series"l Outdoor Kitchen		
Customer Name:	"Freshwater"	Approved:	[Signature]
Job Number:		Date:	
ABM Representative:		Date:	
Designed By:		Date:	
Approved By:		Date:	

