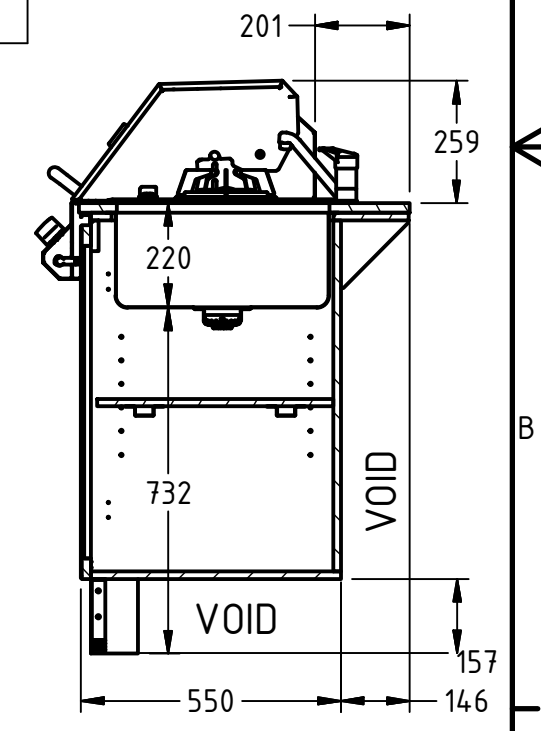
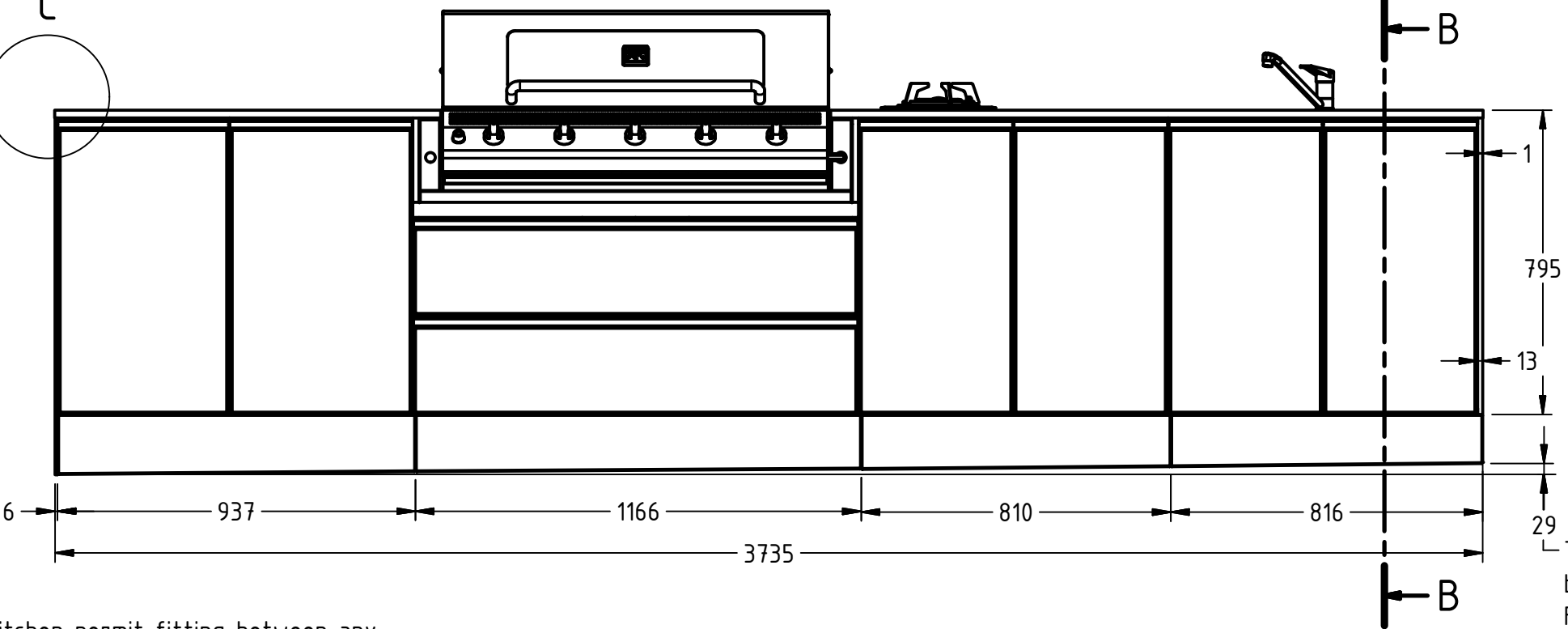
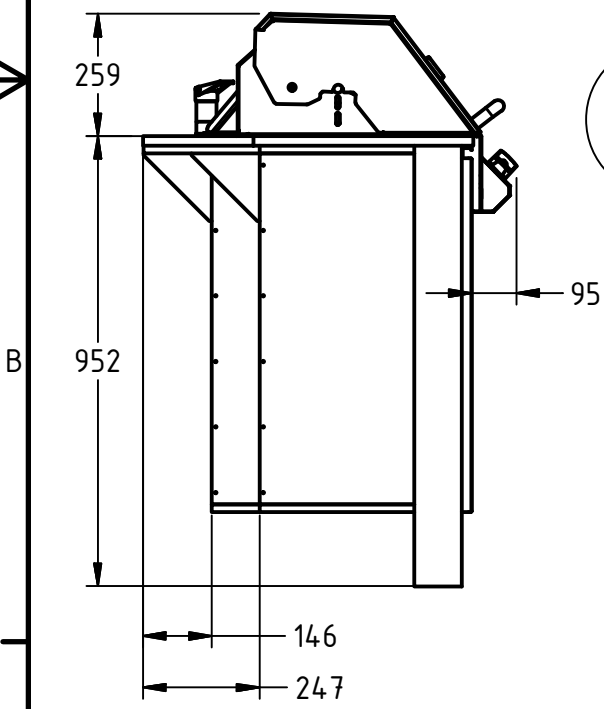


BENCHTOP SPECIFICATION	
Feature	Specification
Material	Caesarstone
Thickness	t=20mm
Edge Face	H=20mm
Surface Finish	Plished
Colour Name	"PIETRA GREY"

END PANEL SPECIFICATION	
Feature	Specification
Material	Compact Laminate
Thickness	6mm
Edge Face	W=6mm
Colour Name	"STONE"
Colour Chart	Laminex Exterior

DOOR/DRAWER FRONT SPECIFICATION	
Feature	Specification
Material	Al/Glass
Thickness	D=21mm
Glass Profile	PLAIN
Surface	Painted (Inside)
Colour Name	"DUNE"
Colour Chart	Colourbond

SECTION B-B
(1 : 16)



Total fall LHS to RHS of brick platform finished with FRC sheet is approx h=28-29mm

Check overall dimensions of outdoor kitchen permit fitting between any physical constraints at LHS and RHS of intended location on your property. Allow at least 2-3mm per metre of length of the outdoor kitchen for total LHS & RHS clearances necessary for fitting within the MINIMUM dimension between constraints

REVISION HISTORY		
REV	REASON FOR CHANGES	DATE
0	Initial released for customer review and approval	

	GEN. TOL	
	Linear	Angular
X	± 1.0	± 2°
X.X	± 0.6	± 1°
X.XX	± 0.25	± 0.5°

Title: Lifestyle Designer Series Outdoor Kitchen		Approved: [Signature]	
Customer Name: Hamilton		Date:	
Job Number:		Date:	
ABM Representative:		Date:	
Designed By:		Date:	
Approved By:		Date:	

