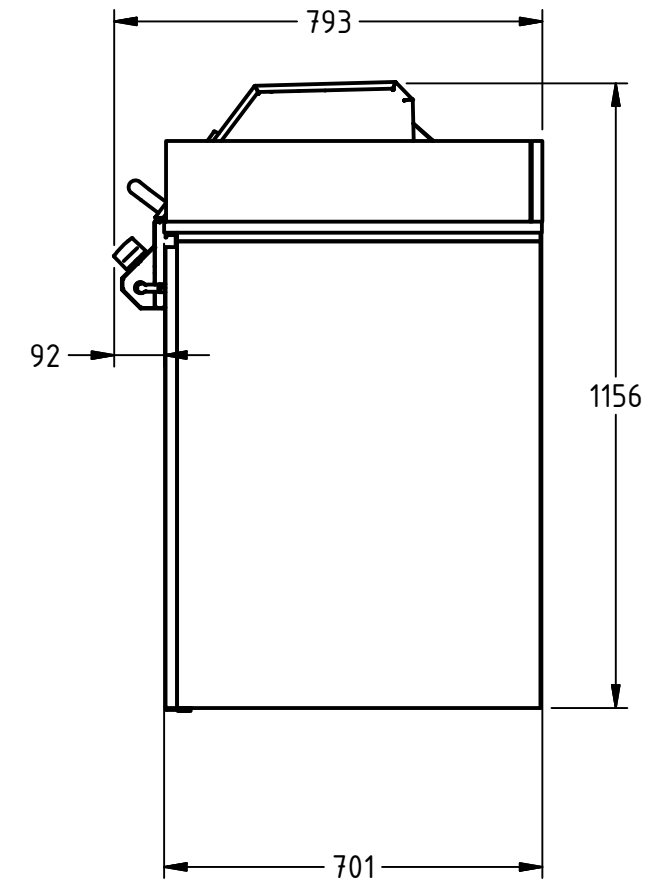
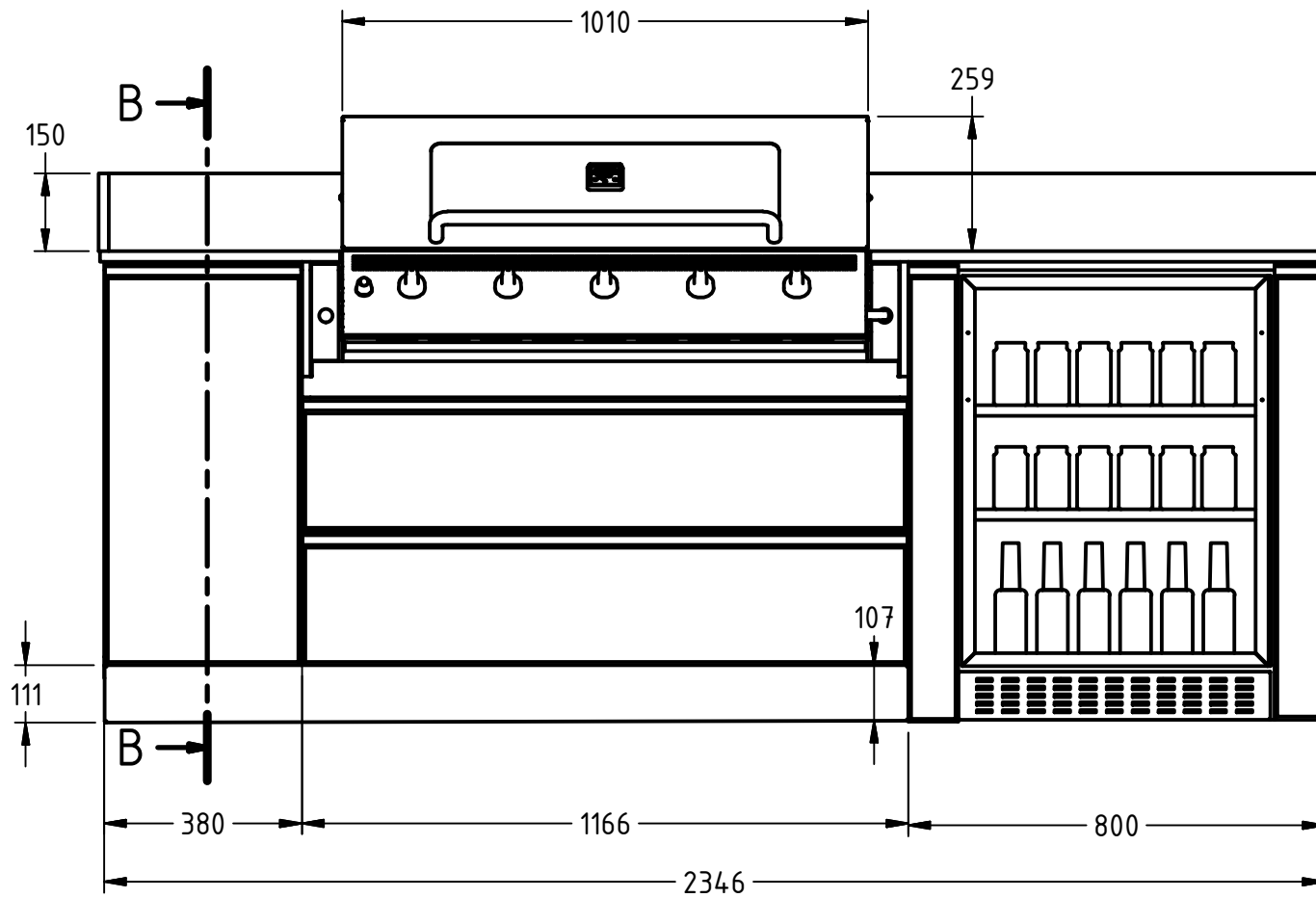
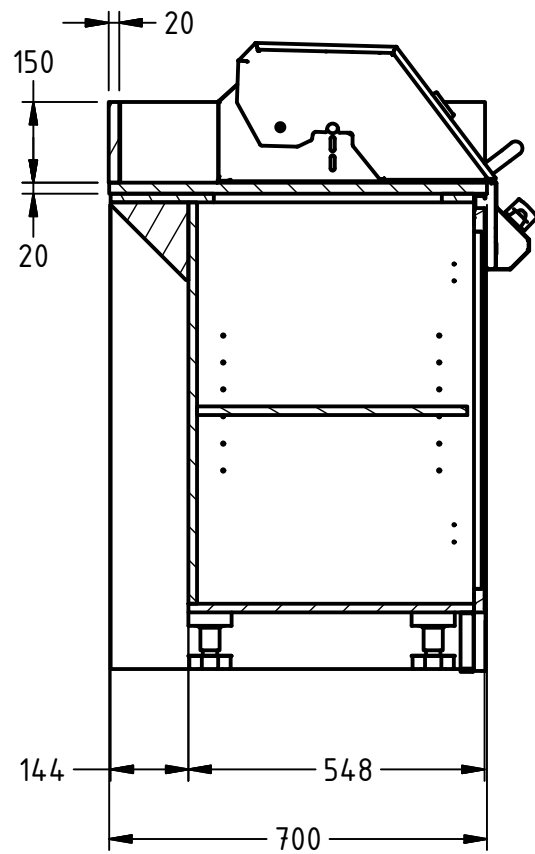


SECTION B-B
(1 : 14)



#4 304SS

NOTE: Tiled floor slopes 5.5mm per metre down from RHS to LHS.
Inclined plinth panel to clear by 2mm. LHS T40 Trim 4mm taller than T40 Trim RHS to accommodate fall.

	GEN. TOL	
	Linear	Angular
X	± 1.0	± 2°
X.X	± 0.6	± 1°
X.XX	± 0.25	± 0.5°

Title: Lifestyle Modular "DESIGNER SERIES" Outdoor Kitchen		Approved: [Signature]	
Customer Name: "Oatley"		Date:	
Job Number:		Date:	
ABM Representative:		Date:	
Designed By:		Date:	
Approved By:		Date:	

