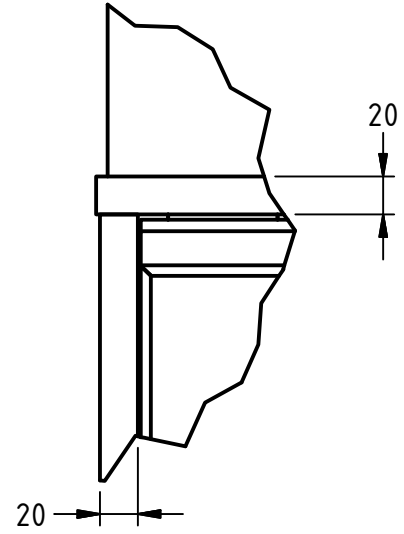
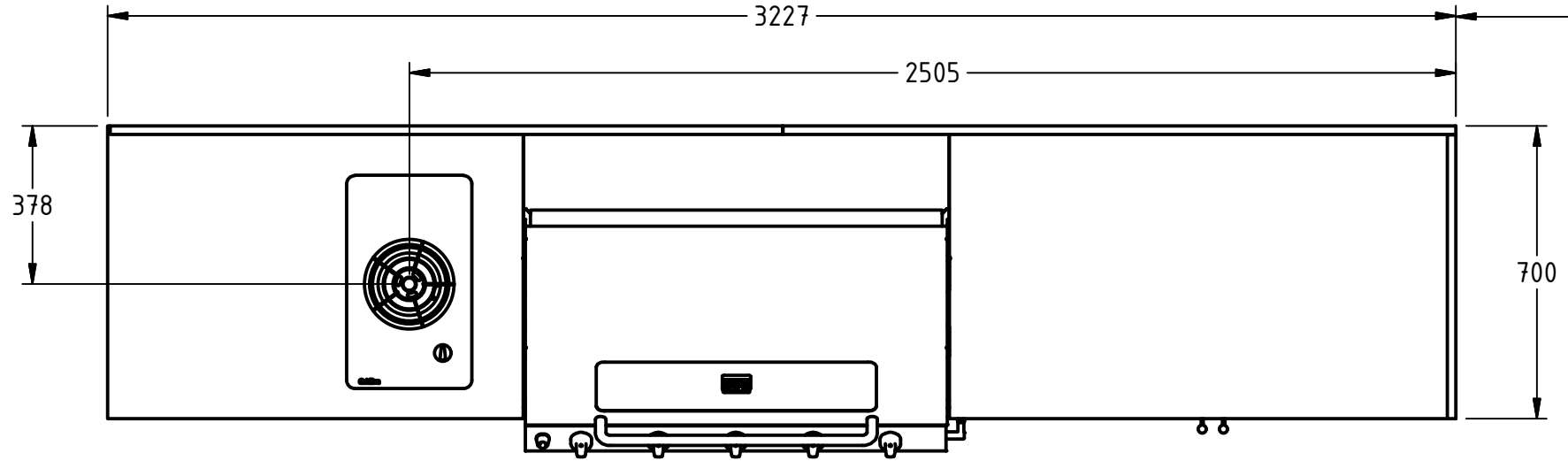
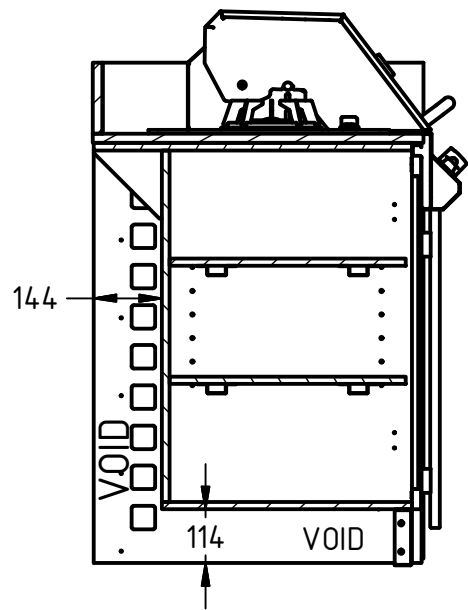


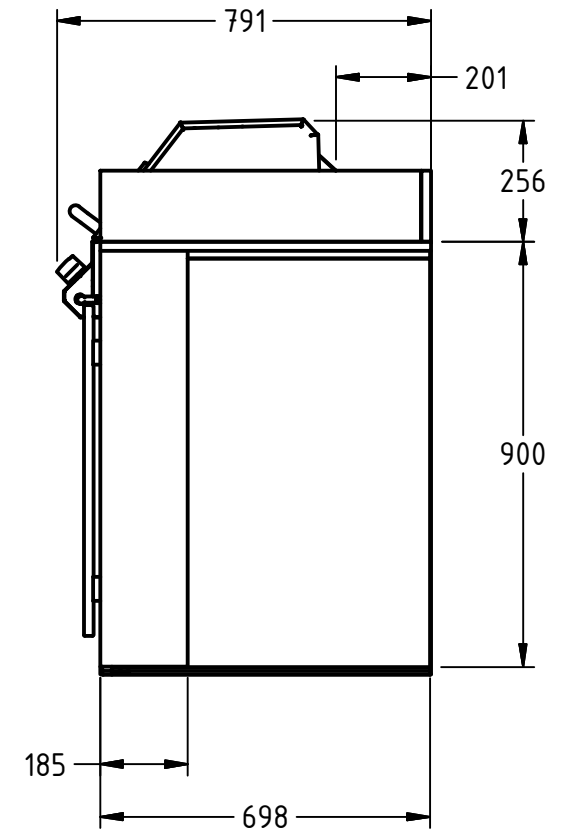
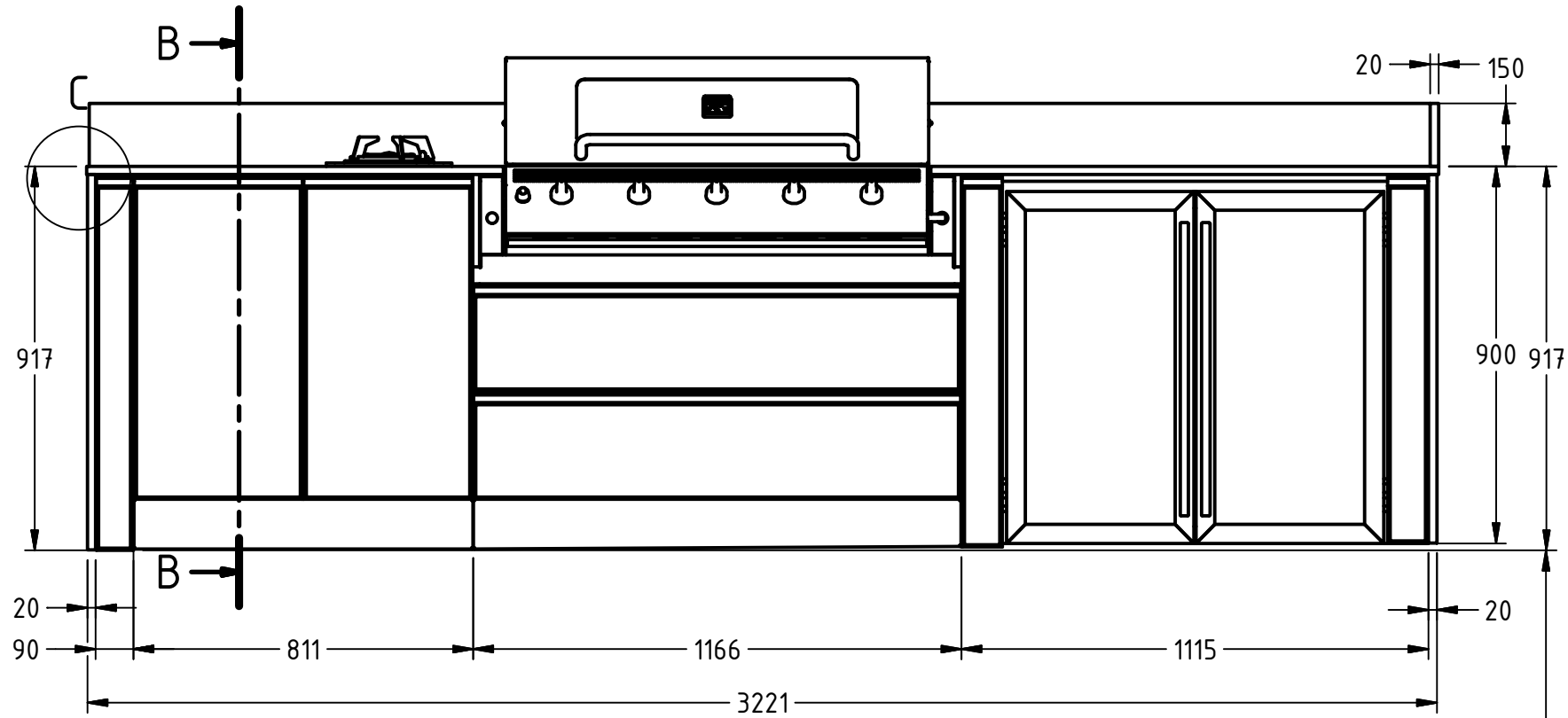
DETAIL C ( 1 : 4 )



SECTION B-B ( 1 : 16 )



Face Brick wall behind W=3222mm.  
Minor projection ca. 3-5mm beyond  
LHS of wall behind outdoor kitchen



Total (cumulative, non-uniform) fall for  
s/water drainage from RHS to LHS = 17mm approx

Title:		Lifestyle Modular "DESIGNER SERIES" Outdoor Kitchen	
Customer Name:		"Oran Park"	Approved: [Signature]
Job Number:		Date:	
ABM Representative:		Date:	Date:
Designed By:		Date:	Date:
Approved By:		Date:	Date:

	GEN. TOL	
	Linear	Angular
X	± 1.0	± 2°
X.X	± 0.6	± 1°
X.XX	± 0.25	± 0.5°

