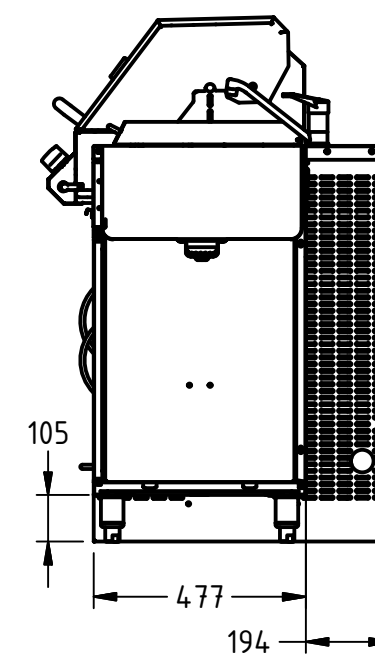
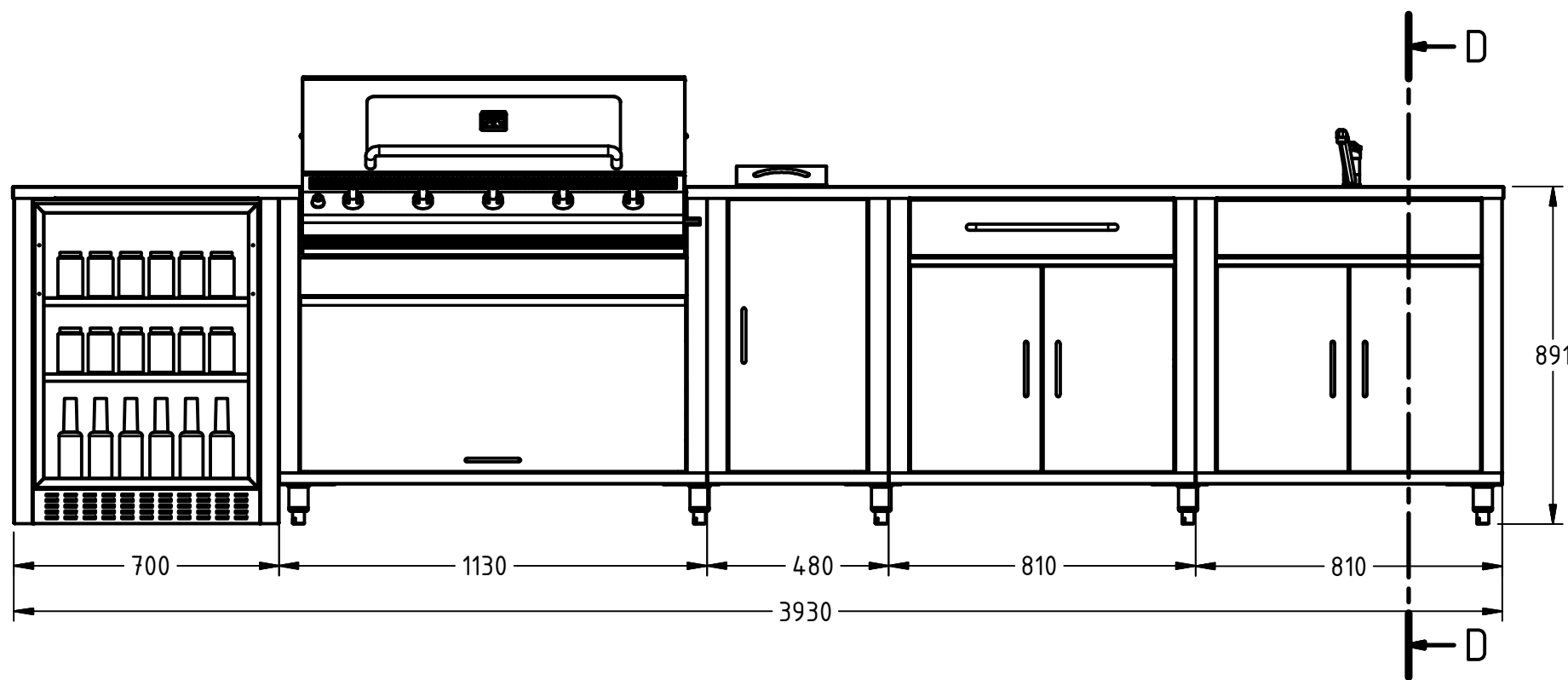
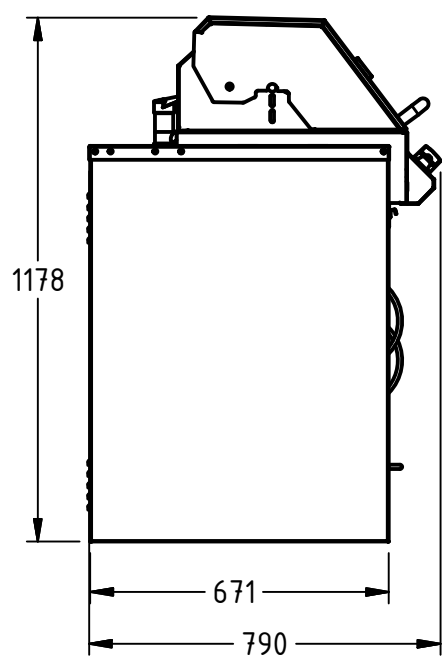


SECTION D-D
(1 : 17)



Title:		Lifestyle Modular Stainless Steel Outdoor Kitchen	
Customer Name:		"Sylvania Waters"	Approved: [Signature]
Job Number:		V40-5B-1B2-3B1-3B5-L-675	Date:
ABM Representative:			Date:
Designed By:			Date:
Approved By:			Date:

REVISION HISTORY		
REV	REASON FOR CHANGES	DATE
0	Initial released	

	GEN. TOL	
	Linear	Angular
X	± 1.0	± 2°
X.X	± 0.6	± 1°
X.XX	± 0.25	± 0.5°

