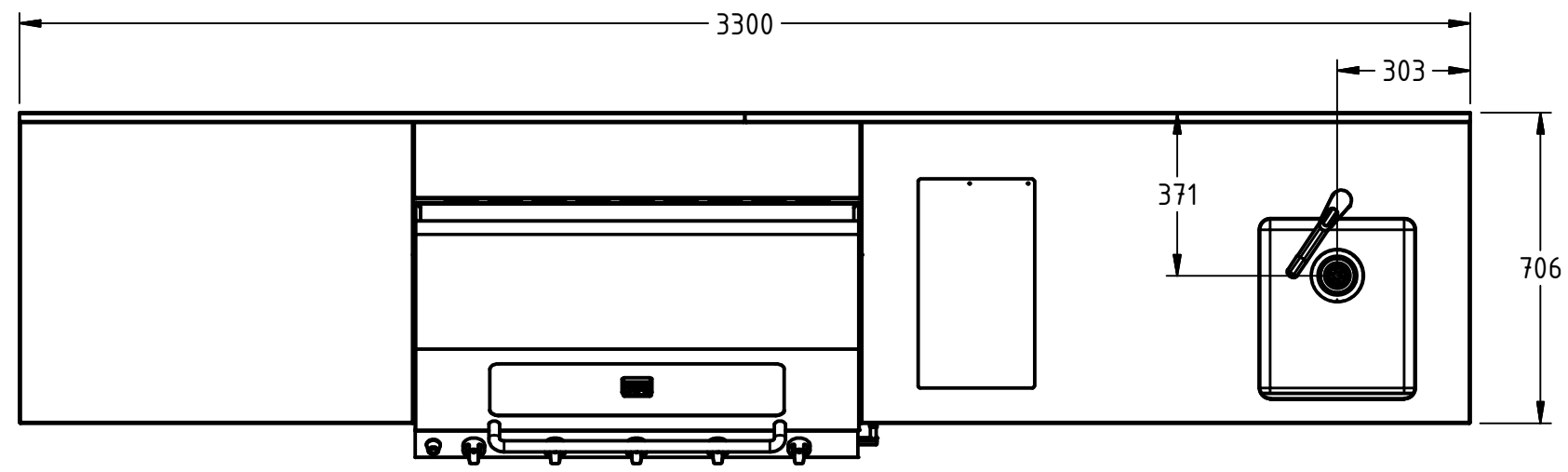


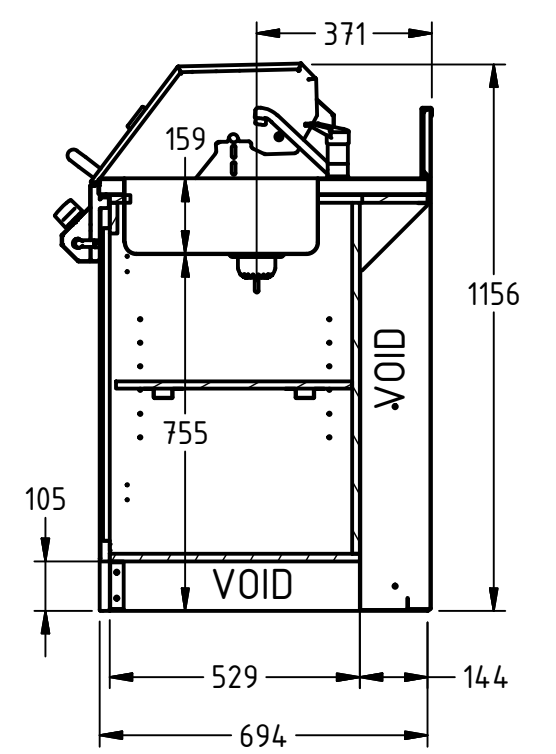
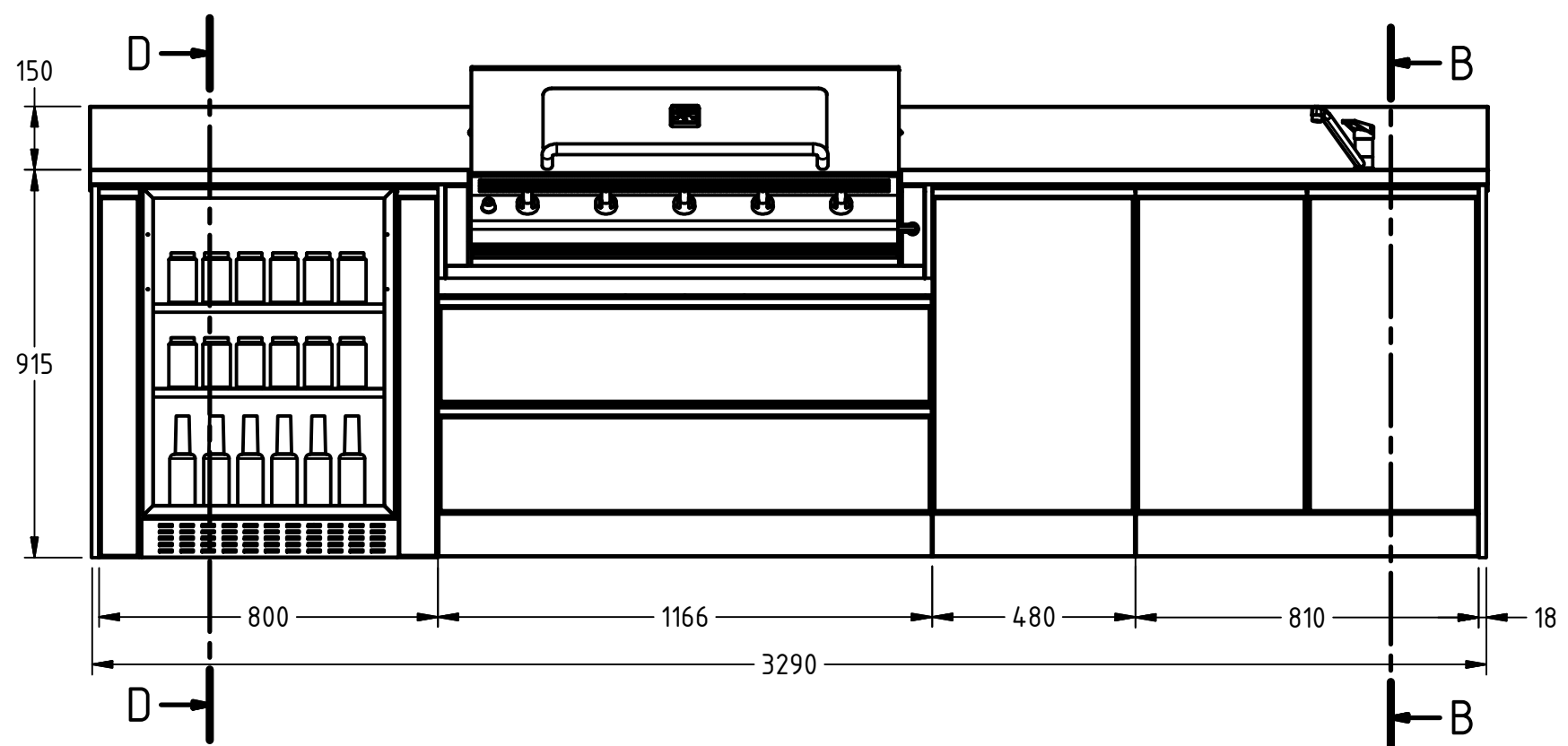
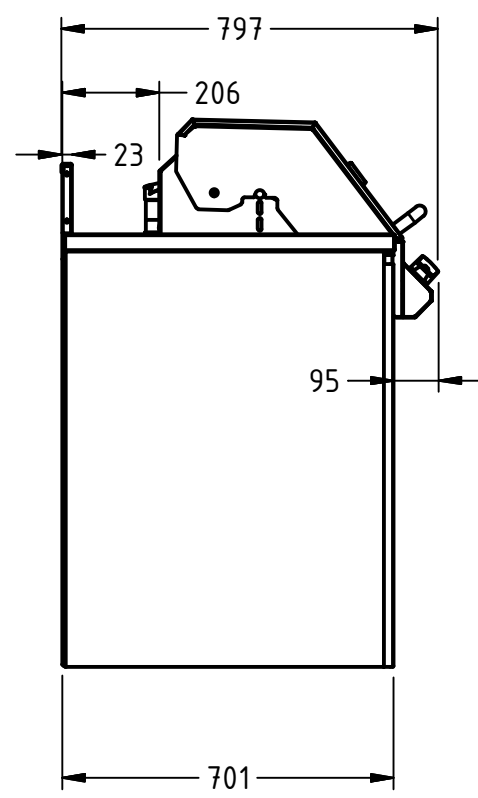
BENCHTOP SPECIFICATION	
Feature	Specification
Material	Quantum Quartz
Thickness	t=32mm
Edge Face	H=32mm
Surface Finish	#4
Colour Name	Natural SS

DOOR/DRAWER FRONT SPECIFICATION	
Feature	Specification
Material	Al/6mm Glass
Thickness	21mm
Surface	Painted (inside)
Colour Name	"to be advised"
Colour Chart	

END & VOID COVER PANEL SPECIFICATION	
Feature	Specification
Material	Stainless Steel
Thickness	t=18mm
Edge Face	W=18mm
Surface Finish	#4
Colour Name	Natural SS



SECTION B-B
(1 : 16)



Title: Lifestyle Modular "Designer Series" Outdoor Kitchen		Approved: [Signature]	
Customer Name: Alfords Point		Date:	
Job Number:		Date:	
ABM Representative:		Date:	
Designed By:		Date:	
Approved By:		Date:	

	GEN. TOL	
	Linear	Angular
X	± 1.0	± 2°
X.X	± 0.6	± 1°
X.XX	± 0.25	± 0.5°

