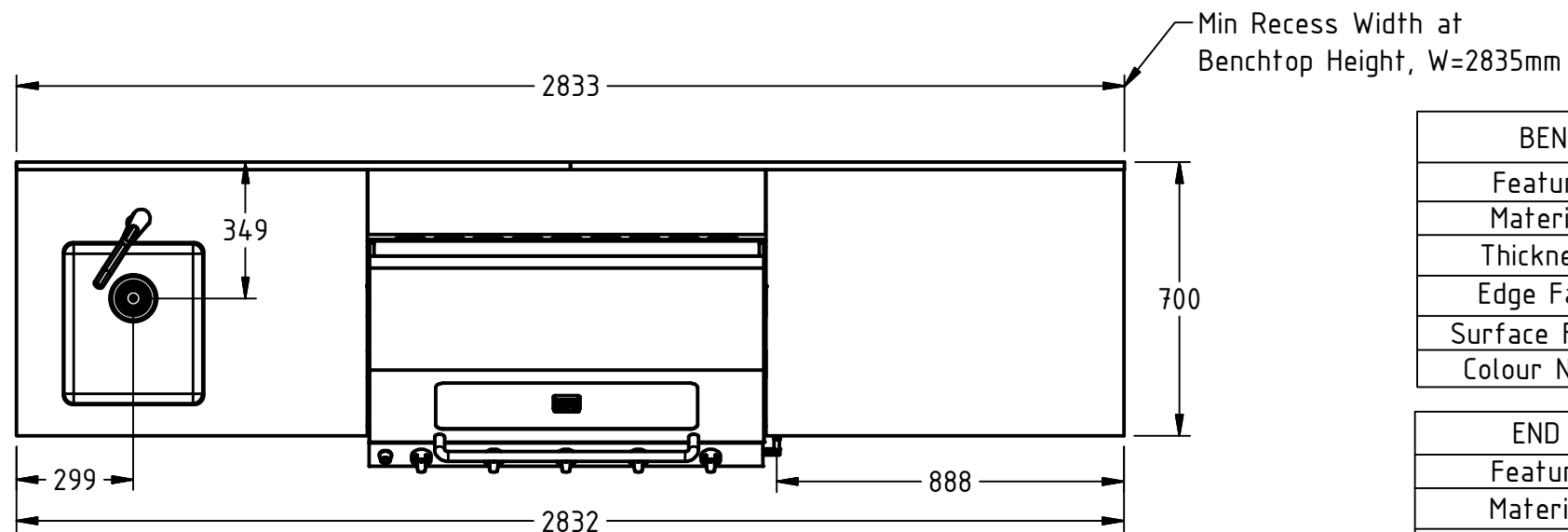


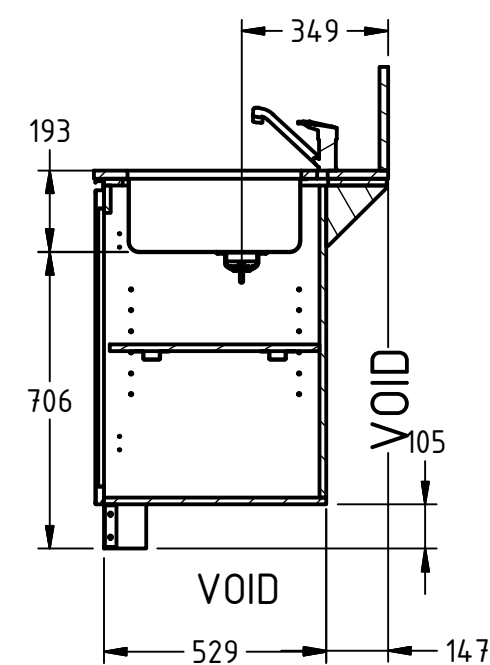
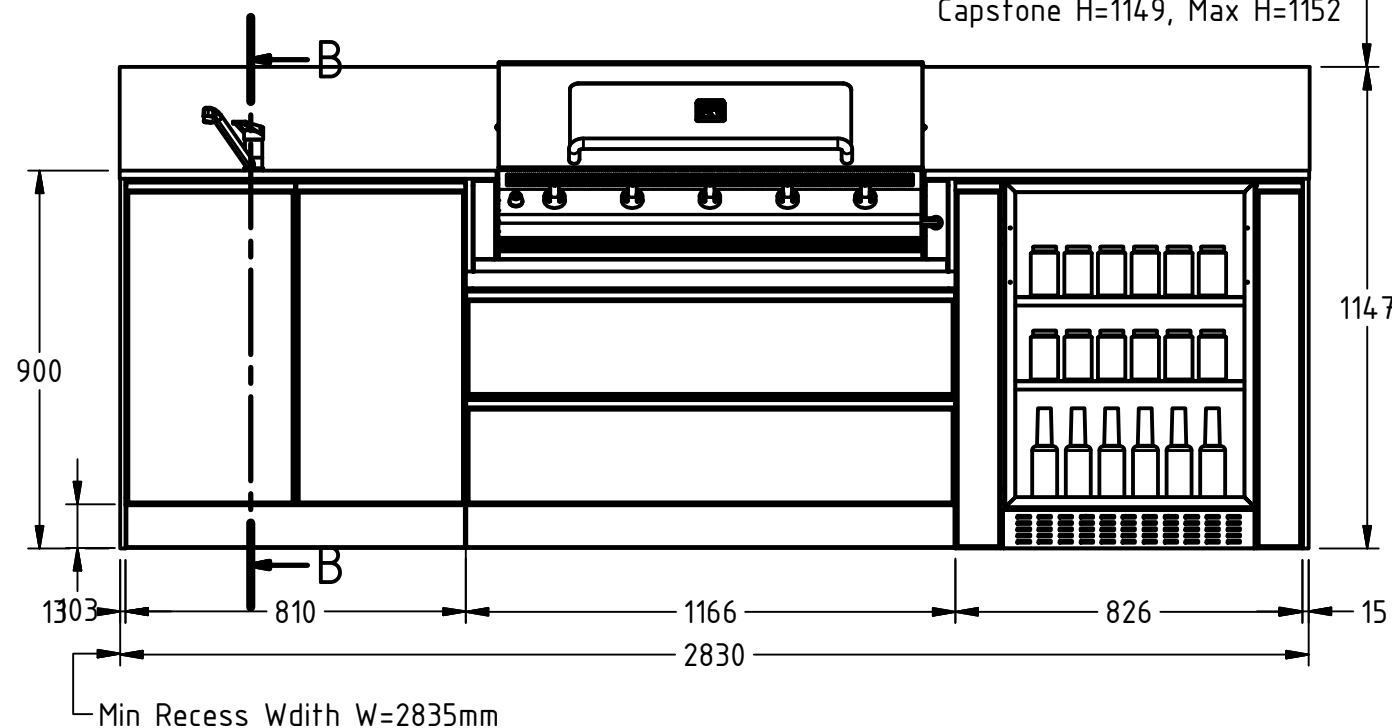
DOOR/DRAWER FRONT SPECIFICATION	
Feature	Specification
Material	AL/Glass
Thickness	D=21mm
Glass Profile	PLAIN
Surface	Painted (Inside)
Colour Name	"HARDENED STEEL" EB N2
Colour Chart	Dulux

BENCHTOP SPECIFICATION	
Feature	Specification
Material	Caesarstone
Thickness	t=20mm
Edge Face	H=20mm
Surface Finish	Polished
Colour Name	"ICE SNOW"

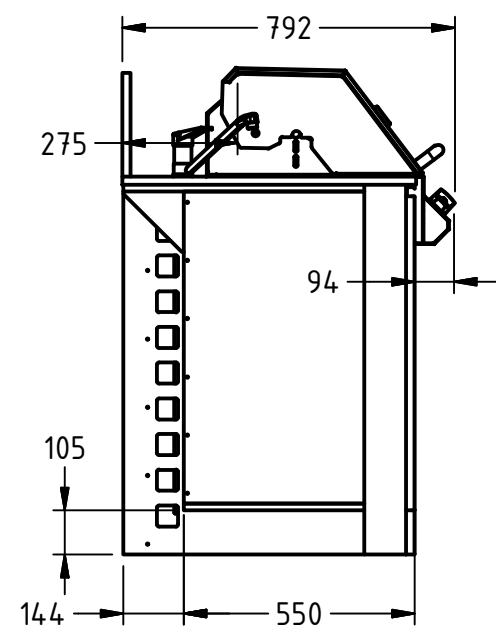
END PANEL SPECIFICATION	
Feature	Specification
Material	304 SS
Thickness	t=18mm
Edge Face	W=18mm
Surface Finish	#4 Brushed
Colour Name	Natural



Min Height to U/Side of Capstone H=1149, Max H=1152



SECTION B-B
(1 : 18)



Title:		Lifestyle Modular Designer Series Outdoor Kitchen	
Customer Name:		Annandale	
Job Number:			
ABM Representative:		Date:	
Designed By:		Date:	
Approved By:		Date:	
Approved:		[Signature]	
Date:			

	GEN. TOL	
	Linear	Angular
X	± 1.0	± 2°
X.X	± 0.6	± 1°
X.XX	± 0.25	± 0.5°

