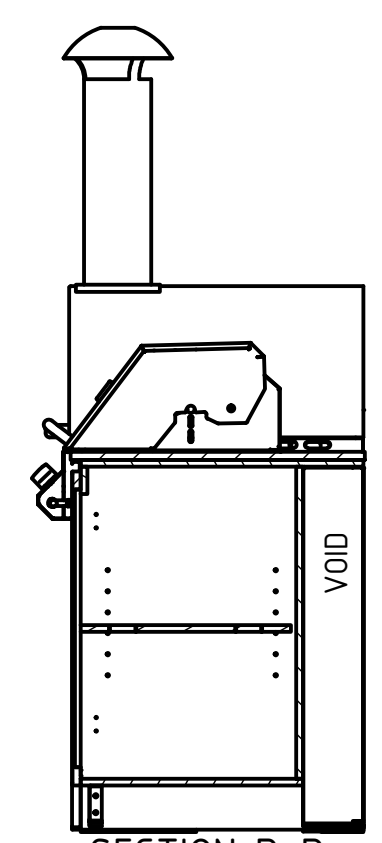
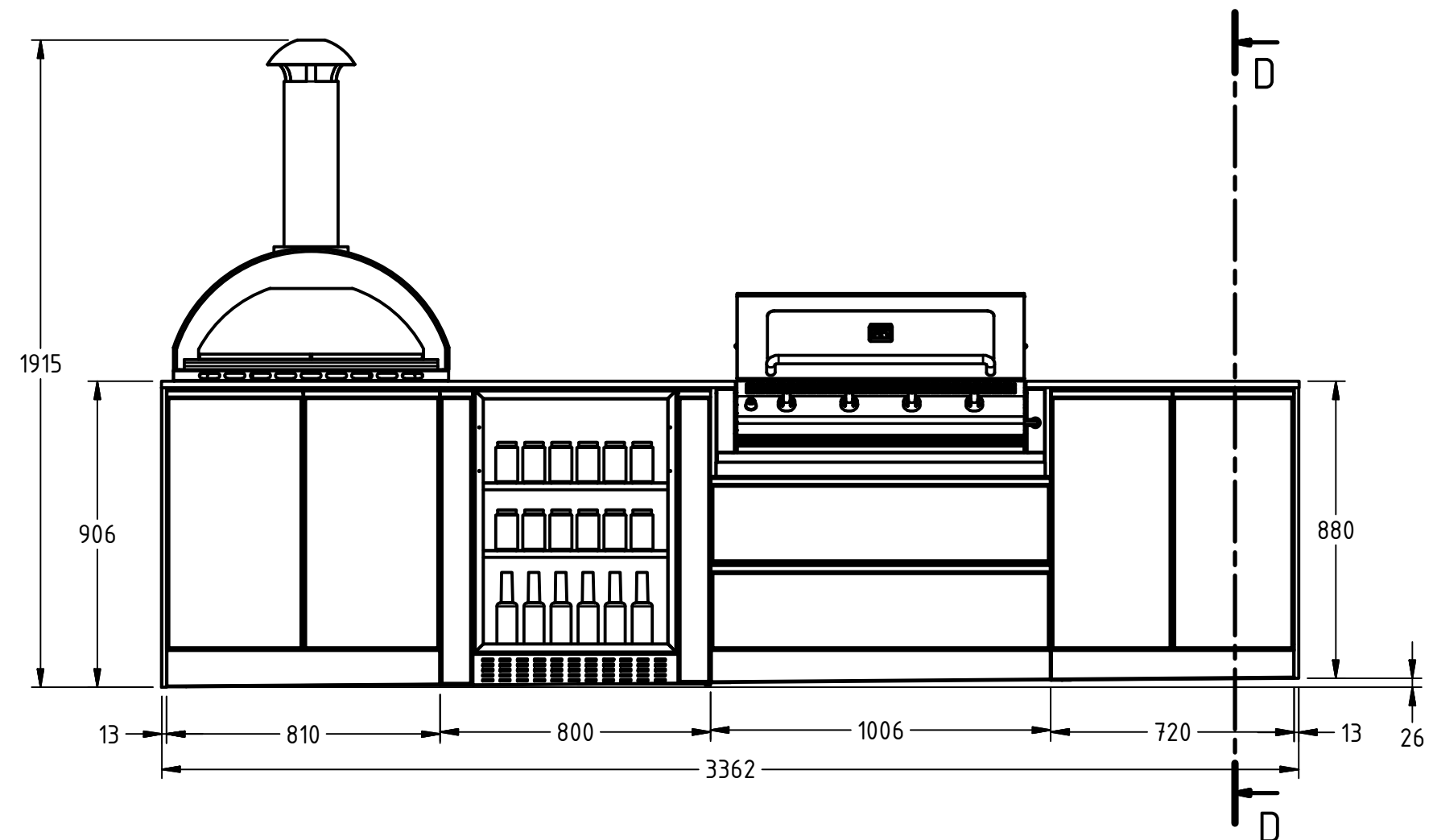
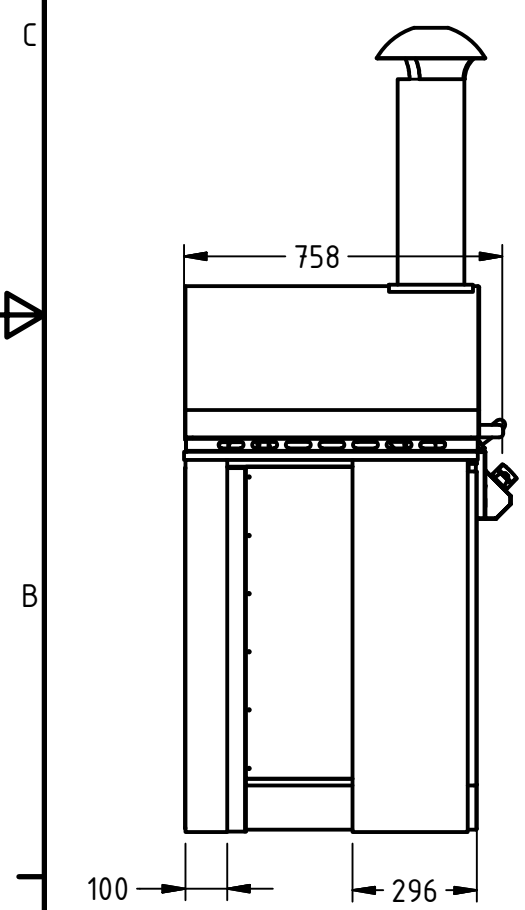
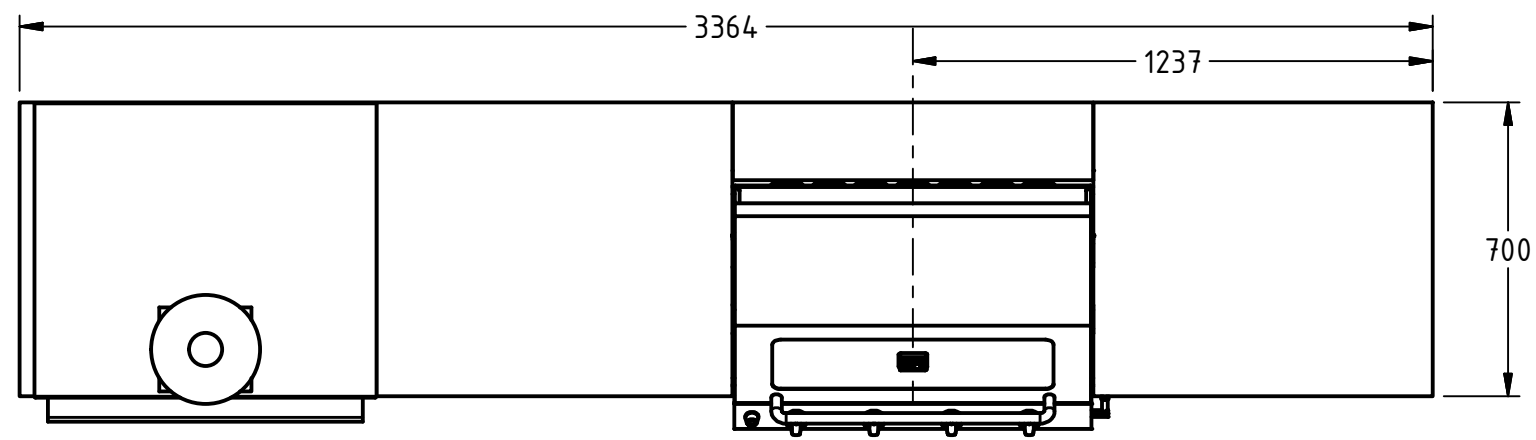


BENCHTOP SPECIFICATION	
Feature	Specification
Material	Quantum Quartz
Thickness	t=20mm
Edge Face	H=20mm
Surface Finish	Polished
Colour Name	"NEW DIAMOND WHITE"
DOOR/DRAWER FRONT SPECIFICATION	
Feature	Specification
Material	Al/Glass
Thickness	21mm
Glass Profile	RIBBONED
Colour Name	"SMOKE HAZE"
Colour Chart	Evic (Metallic)

END PANEL SPECIFICATION	
Feature	Specification
Material	SS 304
Thickness	t=18mm
Edge Face	W=18mm
Surface Finish	#4 Brushed
Colour Name	Natural



SECTION D-D  
( 1 : 18 )

Title: Lifestyle Modular Designer Series Outdoor Kitchen		Approved: [Signature]	
Customer Name: Batemans Bay		Date:	
Job Number:		Date:	
ABM Representative:		Date:	
Designed By:		Date:	
Approved By:		Date:	

	GEN. TOL	
	Linear	Angular
X	± 1.0	± 2°
X.X	± 0.6	± 1°
X.XX	± 0.25	± 0.5°

