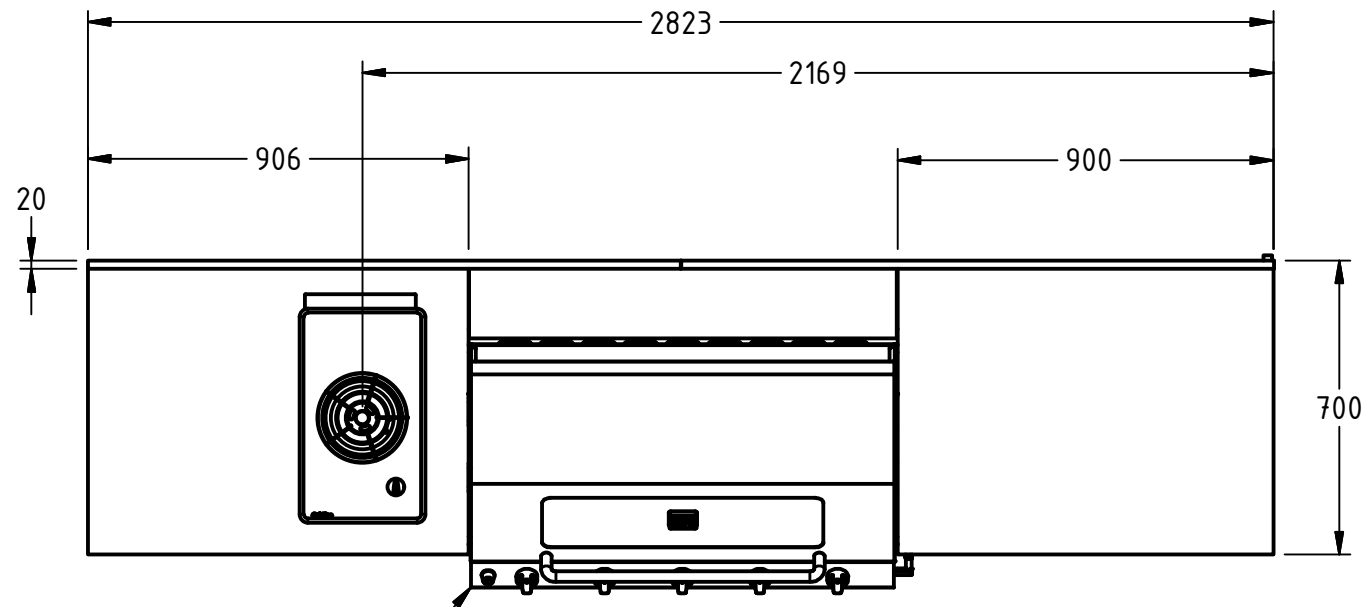


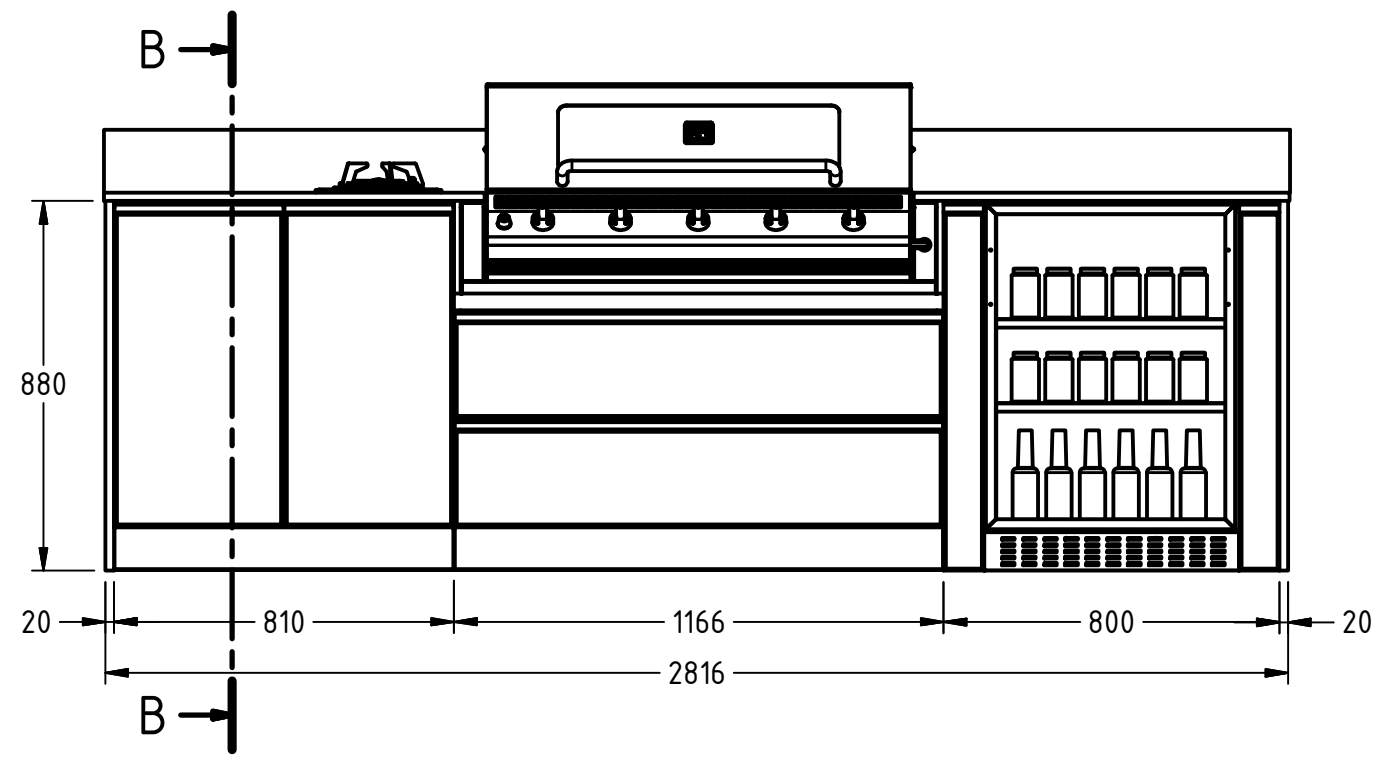
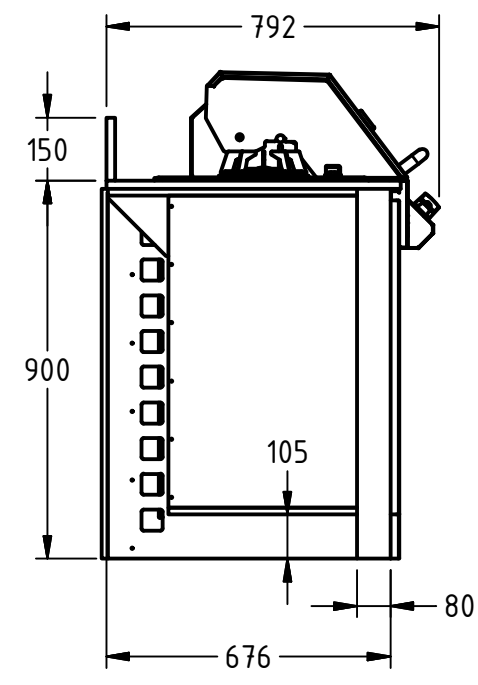
DOOR/DRAWER FRONT SPECIFICATION	
Feature	Specification
Material	AL/Glass
Thickness	D=21mm
Glass Profile	RIBBONED
Surface	Painted (Inside)
Colour Name	"GOTHAM" (metallic)
Colour Chart	Dulux

BENCHTOP SPECIFICATION	
Feature	Specification
Material	Granite
Thickness	t=20mm
Edge Face	H=20mm
Surface Finish	Polished
Colour Name	"STEEL GREY"

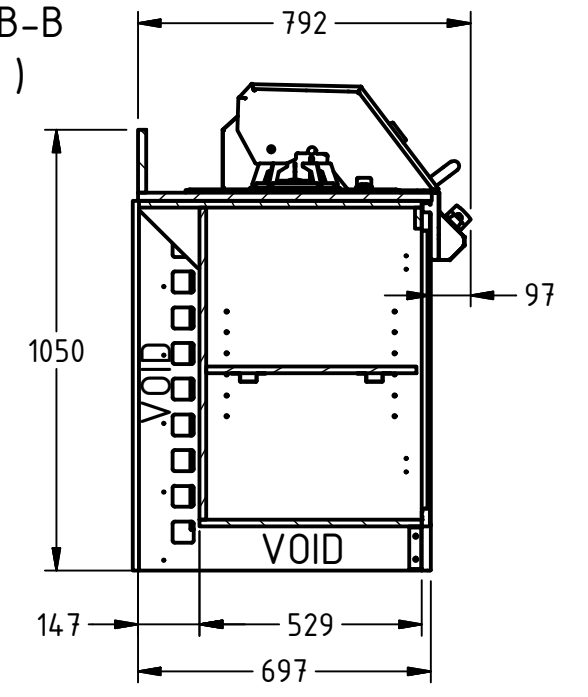
END PANEL SPECIFICATION	
Feature	Specification
Material	Granite
Thickness	T=20mm
Edge Face	W=20mm
Surface Finish	Polished
Colour Name	"STEEL GREY"



LHS Gas Entry to Barbeque is required



SECTION B-B
(1 : 18)



Title: Lifestyle Modular Designer Series Outdoor Kitchen		Approved: [Signature]	
Customer Name: Black Rock		Date:	
Job Number:		Date:	
ABM Representative:		Date:	
Designed By:		Date:	
Approved By:		Date:	

	GEN. TOL	
	Linear	Angular
X	± 1.0	± 2°
X.X	± 0.6	± 1°
X.XX	± 0.25	± 0.5°

