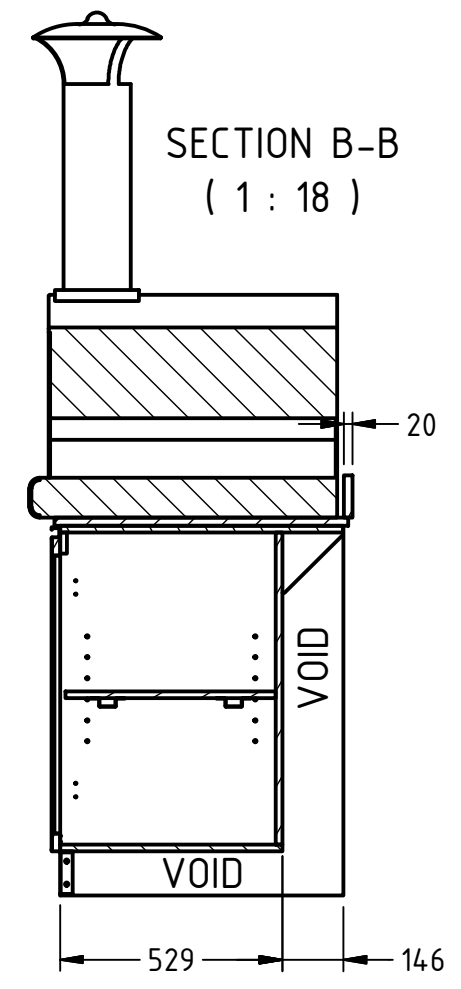
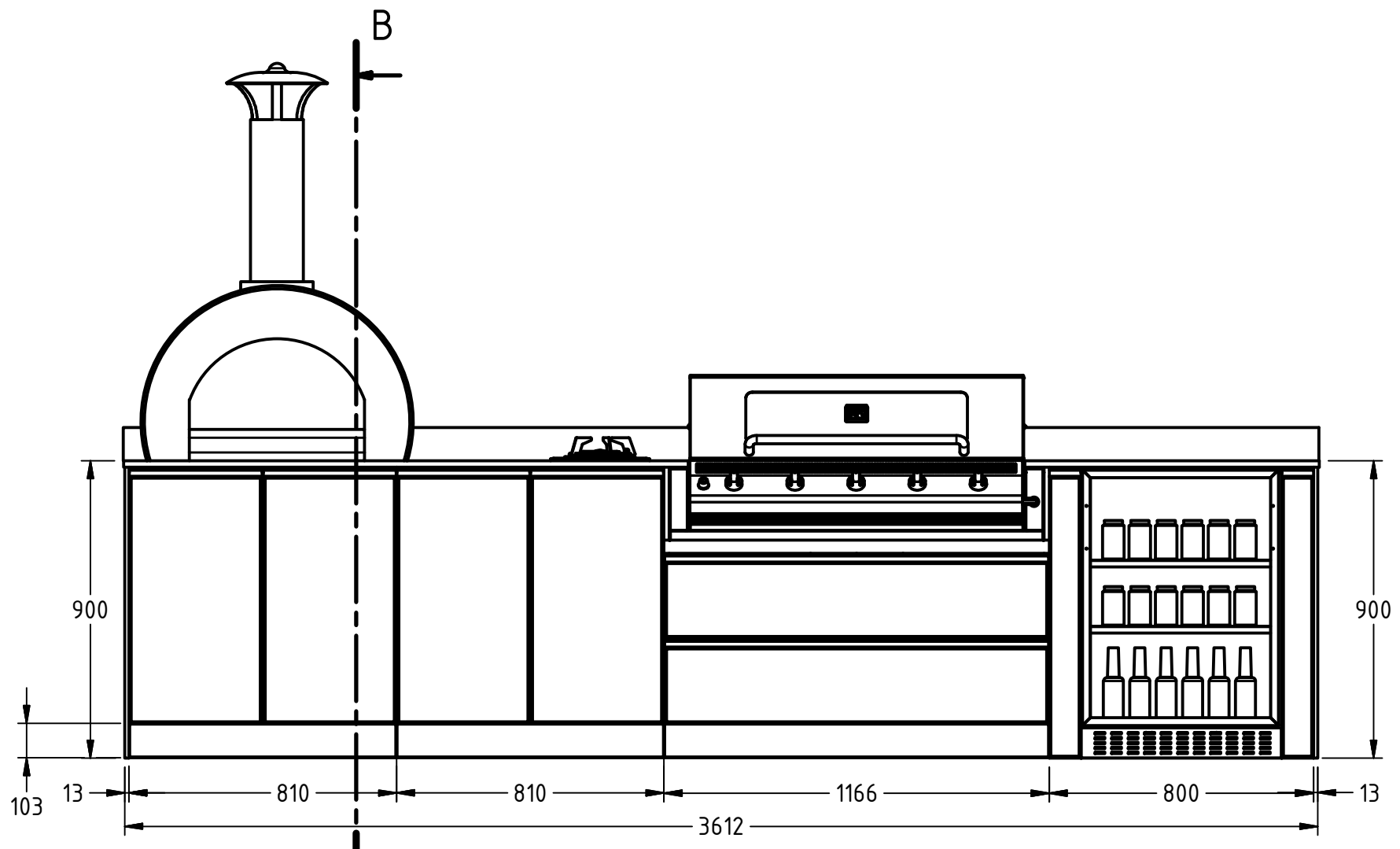
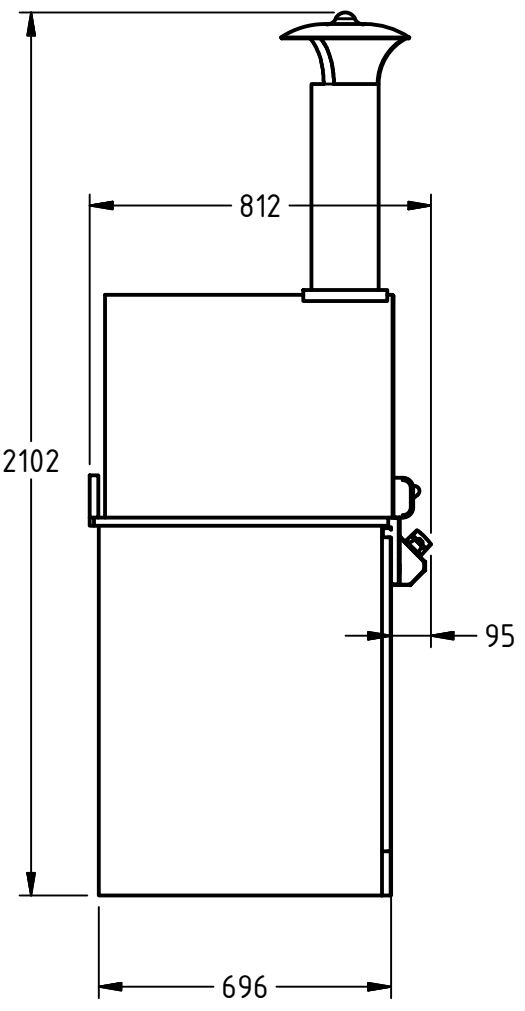
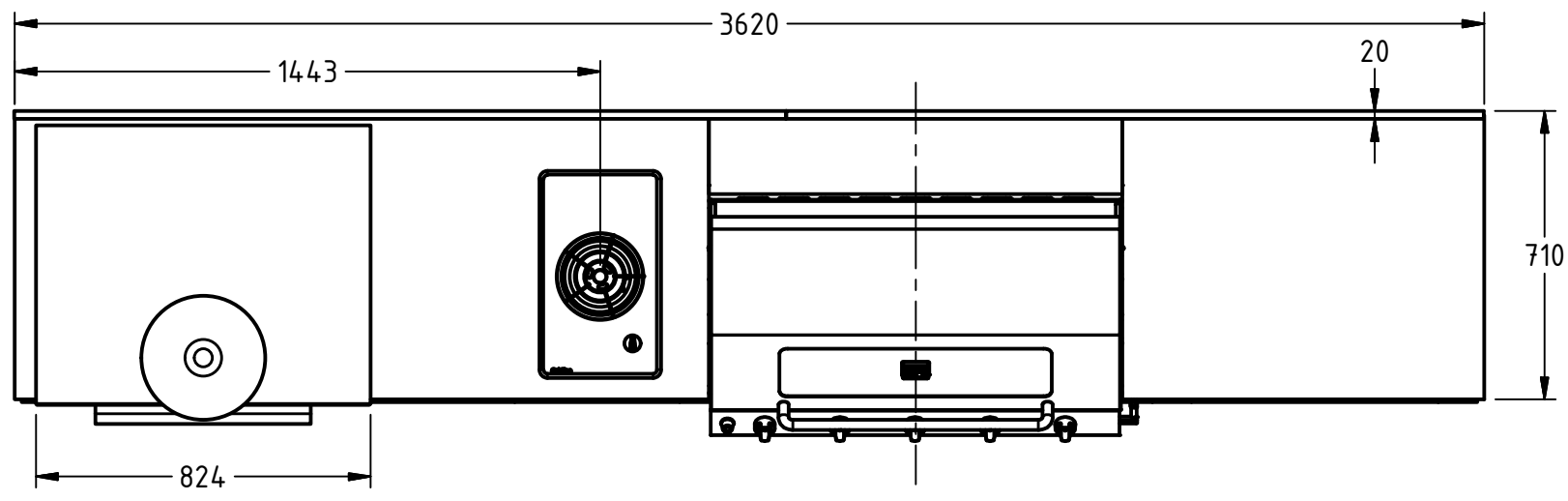


BENCHTOP/SPLASHBACK SPECIFICATION	
Feature	Specification
Material	Quantum Quartz
Thickness	t=20mm
Edge Face	H=20mm
Surface Finish	Polished
Colour Name	"ASH GREY"

DOOR/DRAWER FRONT SPECIFICATION	
Feature	Specification
Material	Al/Safety Glass
Thickness	21mm/6mm
Surface	Anodised / Glass
Colour Name	Natural White
Colour Chart	Dulux

END PANEL SPECIFICATION	
Feature	Specification
Material	SS 304
Thickness	t=18mm
Edge Face	W=18mm
Surface Finish	#4 Brushed
Colour Name	Natural



Title: Lifestyle Modular "Designer Series"l Outdoor Kitchen		Approved: [Signature]	
Customer Name: Brookvale		Date:	
Job Number:		Date:	
ABM Representative:		Date:	
Designed By:		Date:	
Approved By:		Date:	

	GEN. TOL	
	Linear	Angular
X	± 1.0	± 2°
X.X	± 0.6	± 1°
X.XX	± 0.25	± 0.5°

