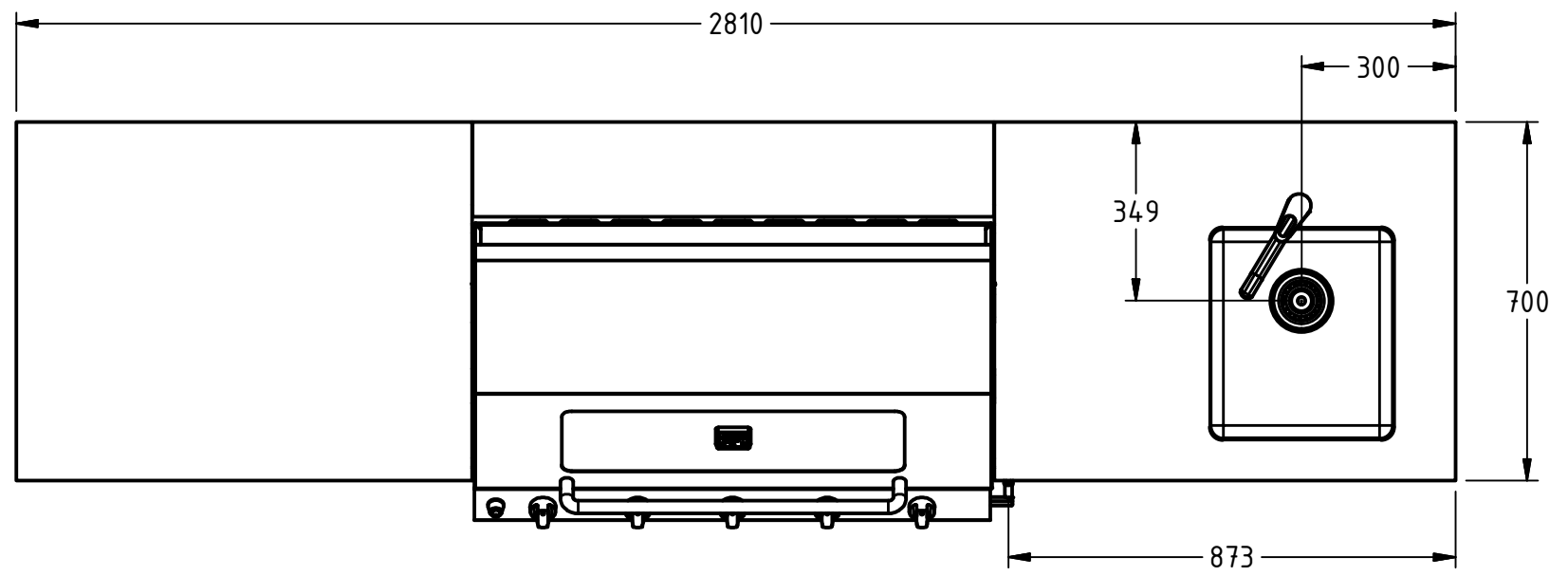
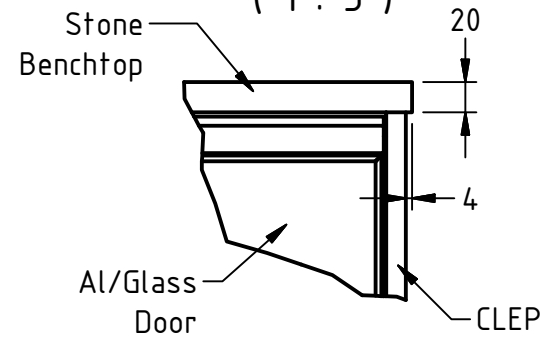


BENCHTOP SPECIFICATION	
Feature	Specification
Material	Quantum Quartz
Thickness	t=20mm
Edge Face	H=-20mm
Surface Finish	Polished
Colour Name	"GRAPHITE MATTE"

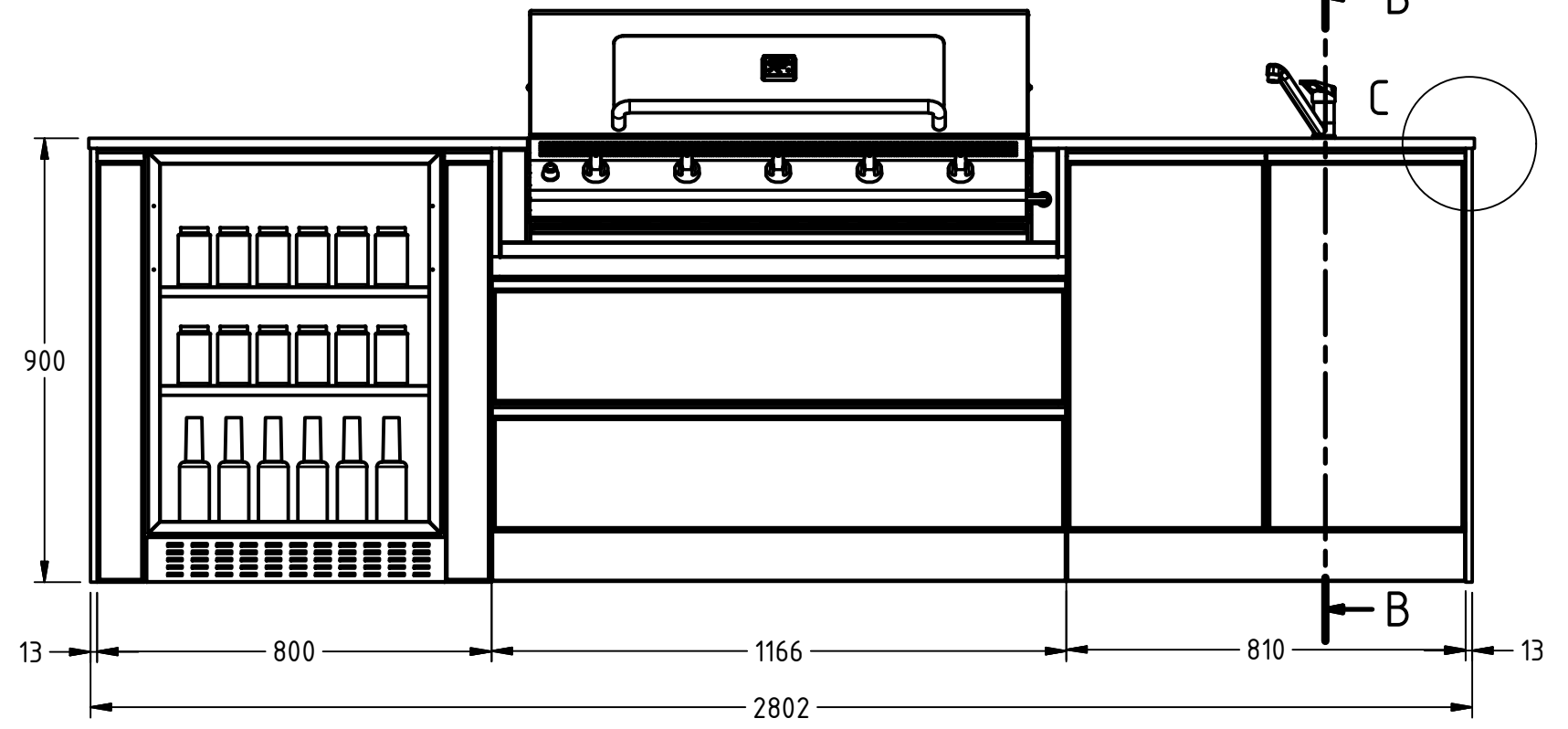
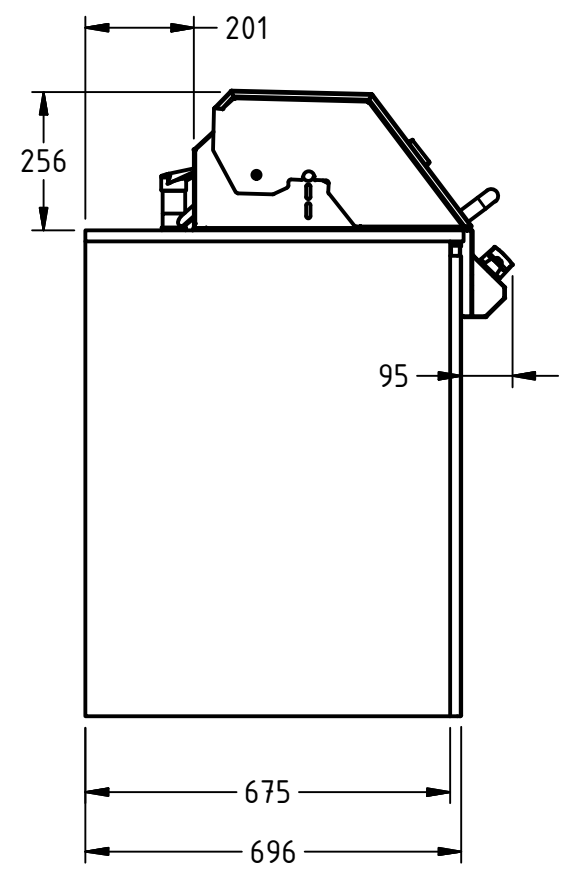
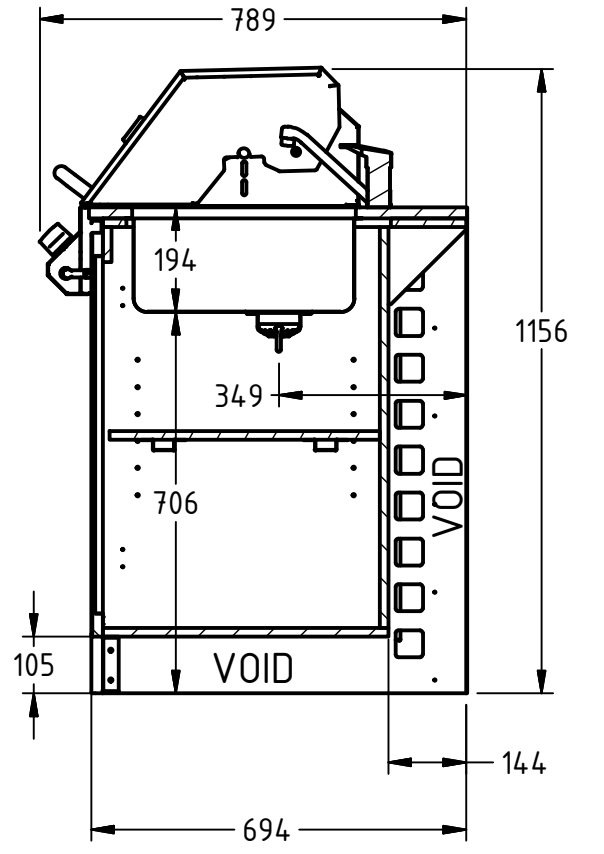
DOOR/DRAWER FRONT SPECIFICATION	
Feature	Specification
Material	Al/6mm Glass
Thickness	21mm
Surface	Painted (inside)
Colour Name	"CHINA WHITE"
Colour Chart	Dulux

END PANEL SPECIFICATION	
Feature	Specification
Material	304 SS
Thickness	t=18mm
Edge Face	W=18mm
Colour Name	#4 Brushed
Colour Chart	Natural

DETAIL C
(1:5)



SECTION B-B
(1:14)



Title: Lifestyle Modular "Designer Series" Outdoor Kitchen		Approved: [Signature]	
Customer Name: Cabarita		Date:	
Job Number:		Date:	
ABM Representative:		Date:	
Designed By:		Date:	
Approved By:		Date:	

	GEN. TOL	
	Linear	Angular
X	± 1.0	± 2°
X.X	± 0.6	± 1°
X.XX	± 0.25	± 0.5°

