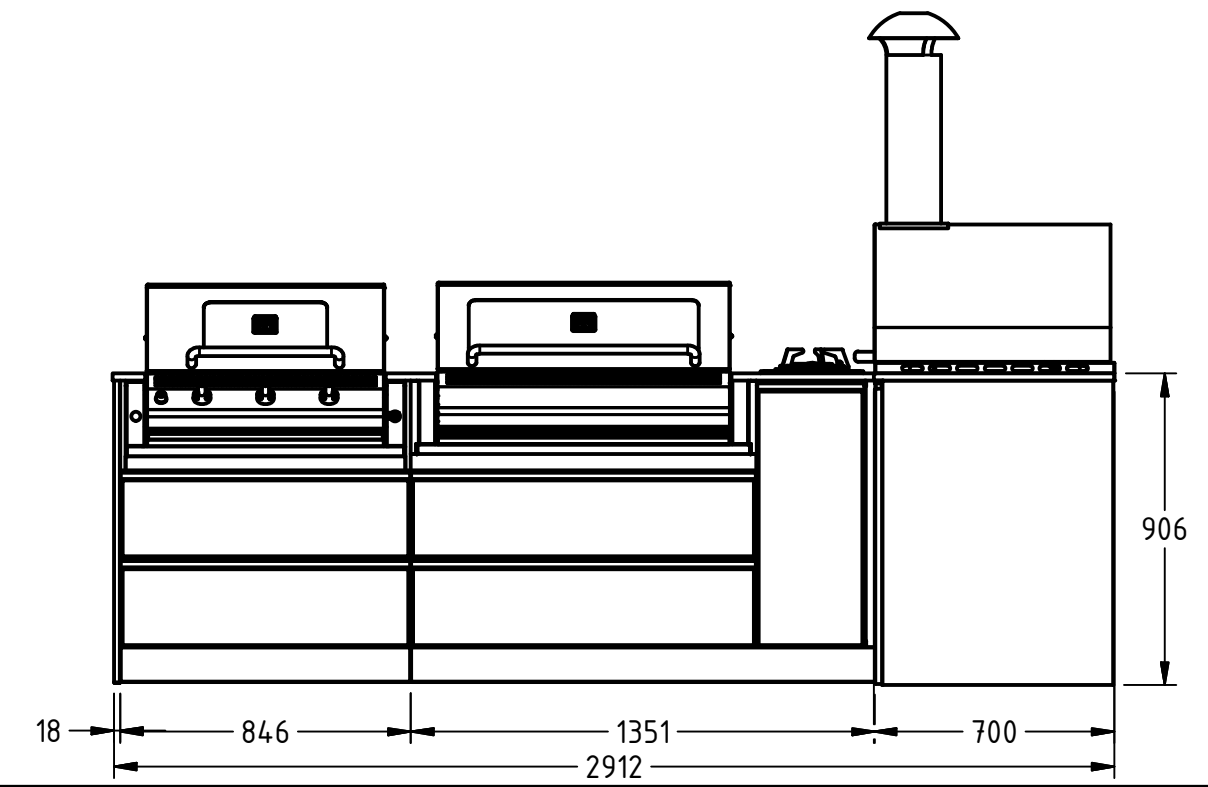
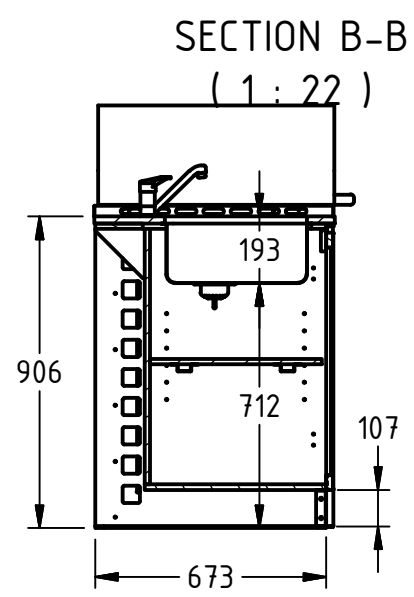
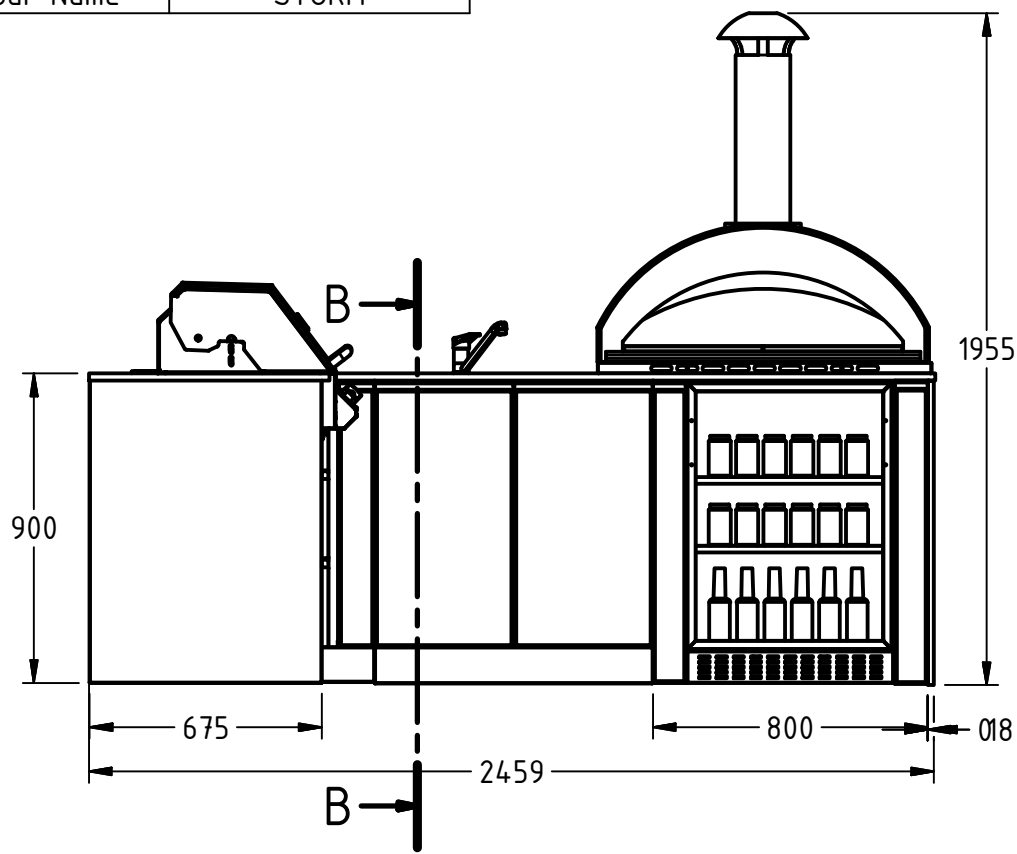
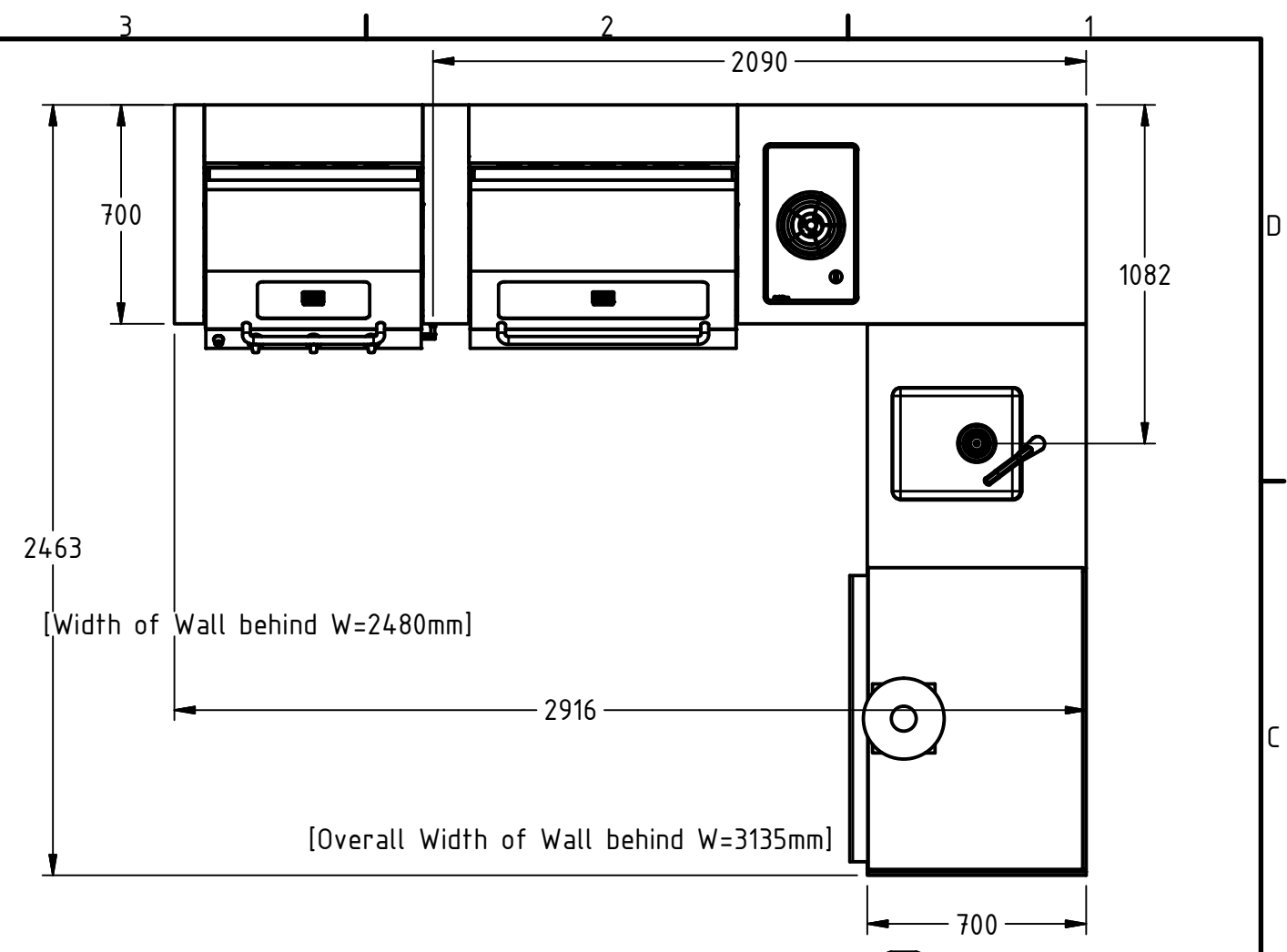


END PANEL SPECIFICATION	
Feature	Specification
Material	304 Stainless Steel
Thickness	t=1.5mm
Edge Face	W=18mm
Surface Finish	#4
Colour Name	Stainless

DOOR/DRAWER FRONT SPECIFICATION	
Feature	Specification
Material	AL/Glass
Thickness	D=21mm
Glass Profile	PLAIN / RIBBONED
Surface	Painted (Inside)
Colour Name	"PAPERBARK"
Colour Chart	Colourbond

BENCHTOP SPECIFICATION	
Feature	Specification
Material	Quantum Quartz
Thickness	t=20mm
Edge Face	H=20mm
Surface Finish	Polished
Colour Name	"STORM"



Title: Lifestyle Designer Series Outdoor Kitchen		Approved: [Signature]	
Customer Name: Castle Hill		Date:	
Job Number:		ABM Representative:	
Designed By:		Date:	
Approved By:		Date:	

	GEN. TOL	
	Linear	Angular
X	± 1.0	± 2°
X.X	± 0.6	± 1°
X.XX	± 0.25	± 0.5°

