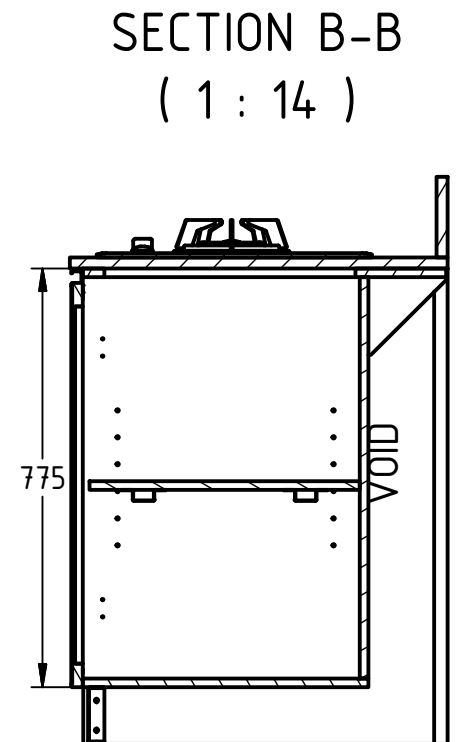
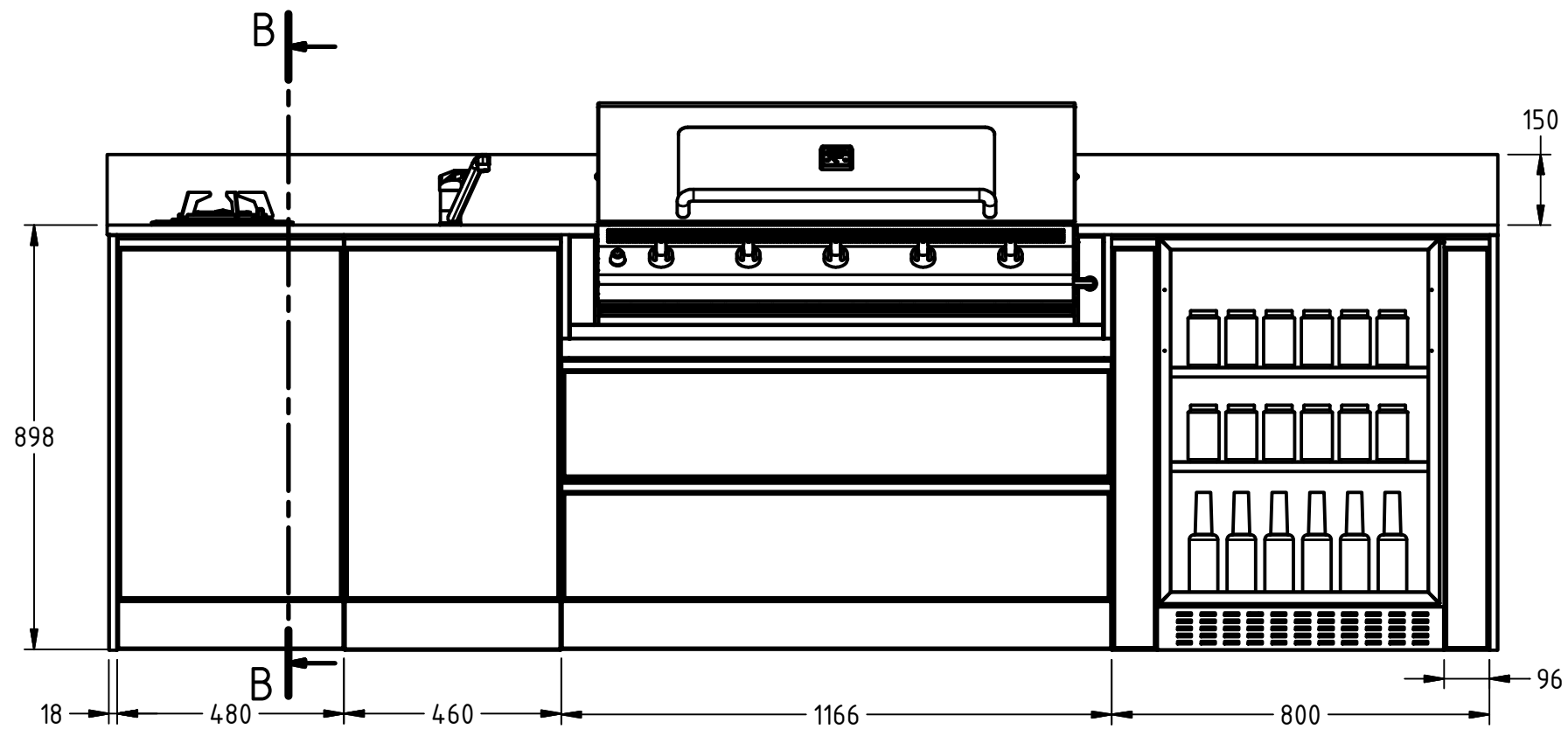
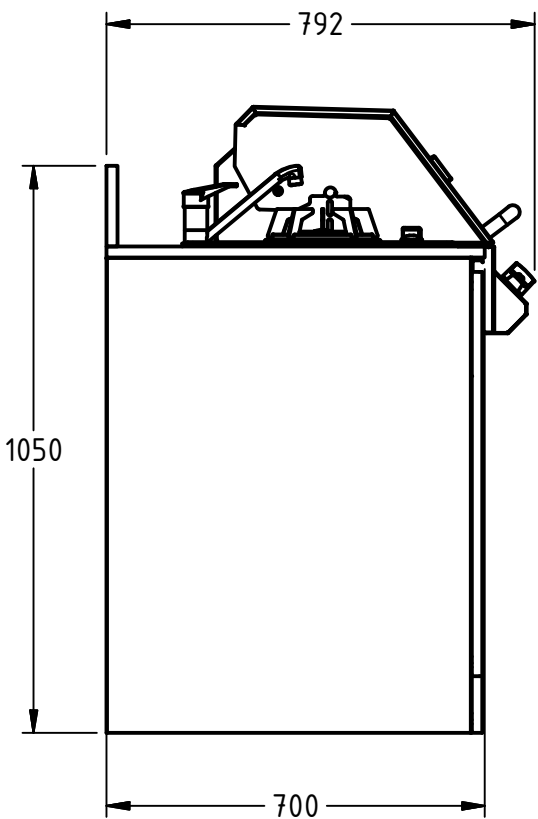
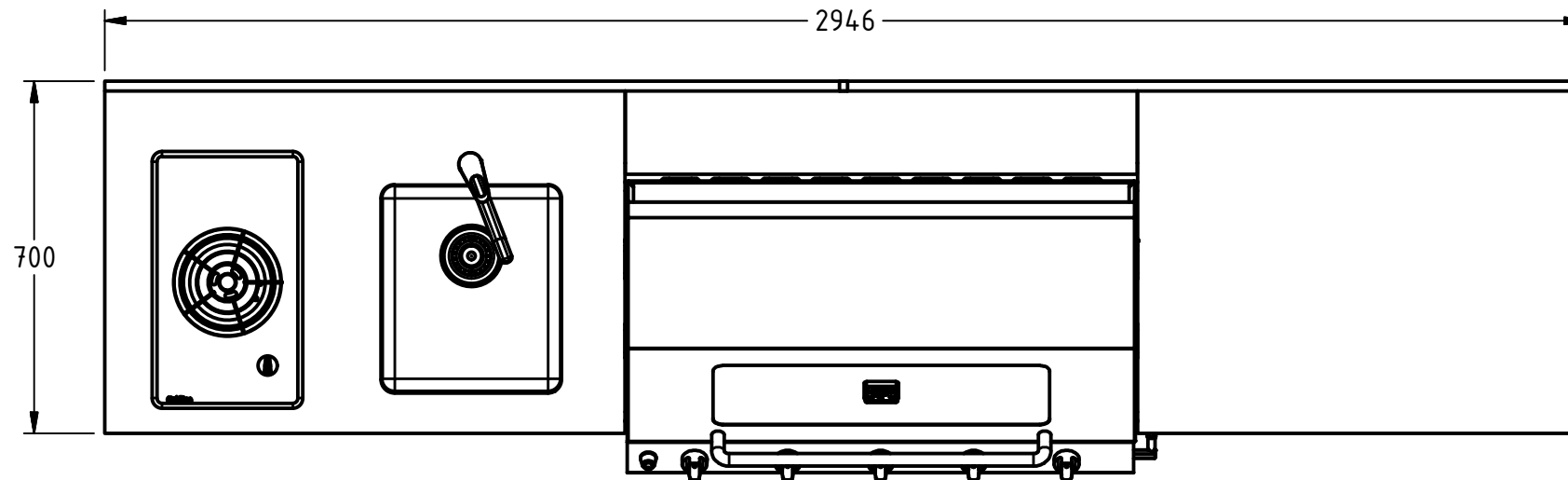


DOOR/DRAWER FRONT SPECIFICATION	
Feature	Specification
Material	Alum/Glass
Thickness	D=21mm
Glass Profile	PLAIN or RIBBONED
Surface	Painted (Inside)
Colour Name	"Ticking UD"
Colour Chart	"Dulux"

END PANEL SPECIFICATION	
Feature	Specification
Material	S/Steel
Thickness	18mm
Edge Face	18mm
Surface Finish	Polished



BENCHTOP SPECIFICATION	
Feature	Specification
Material	"Quantum Quartz"
Thickness	t=20mm
Edge Face	H=20mm
Surface Finish	Polished
Colour Name	"LUNA WHITE"

Title: Lifestyle Modular Stainless Steel Outdoor Kitchen		Approved: [Signature]	
Customer Name: Clontarf		Date:	
Job Number:		Date:	
ABM Representative:		Date:	
Designed By:		Date:	
Approved By:		Date:	

	GEN. TOL	
	Linear	Angular
X	± 1.0	± 2°
X.X	± 0.6	± 1°
X.XX	± 0.25	± 0.5°

