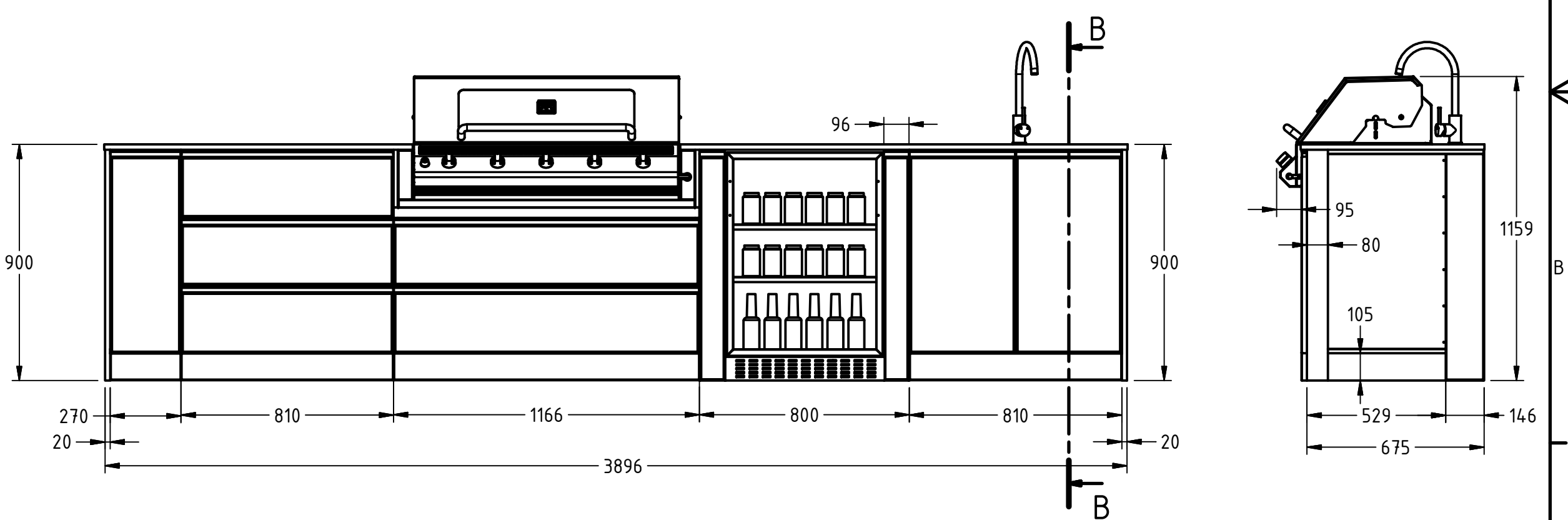


SECTION B-B
(1 : 18)



Title:		Lifestyle Designer Series Outdoor Kitchen	
Customer Name:		Cronulla	
Job Number:			
ABM Representative:		Date:	
Designed By:		Date:	
Approved By:		Date:	
Approved:		[Signature]	
Date:			

	GEN. TOL	
	Linear	Angular
X	± 1.0	± 2°
X.X	± 0.6	± 1°
X.XX	± 0.25	± 0.5°

