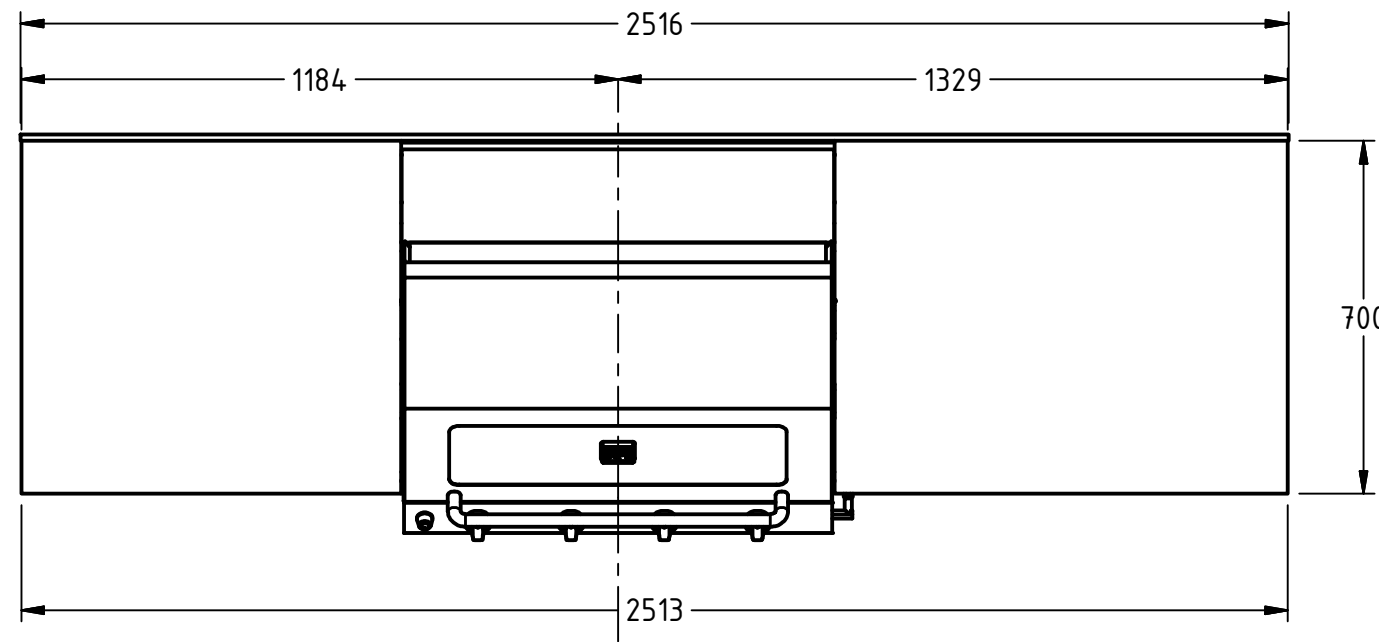


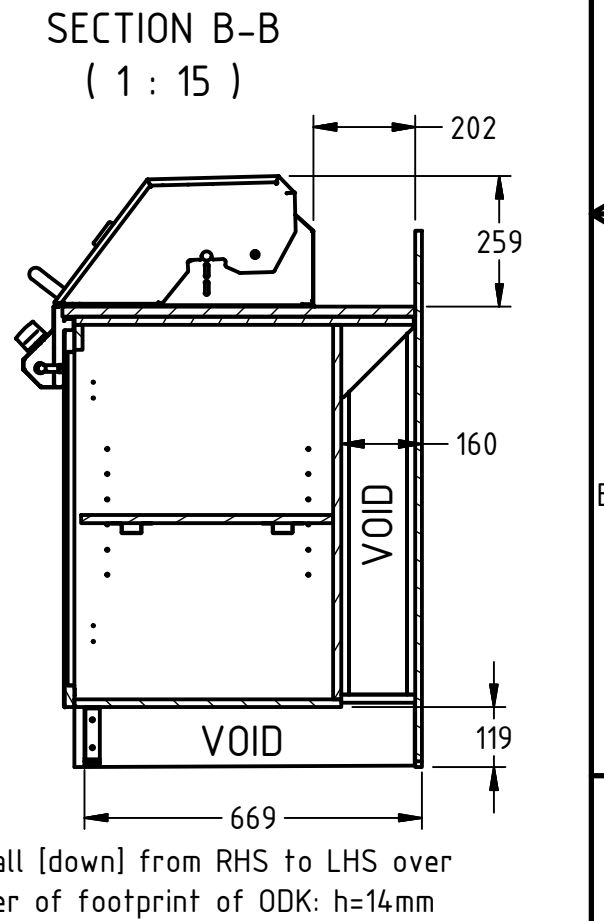
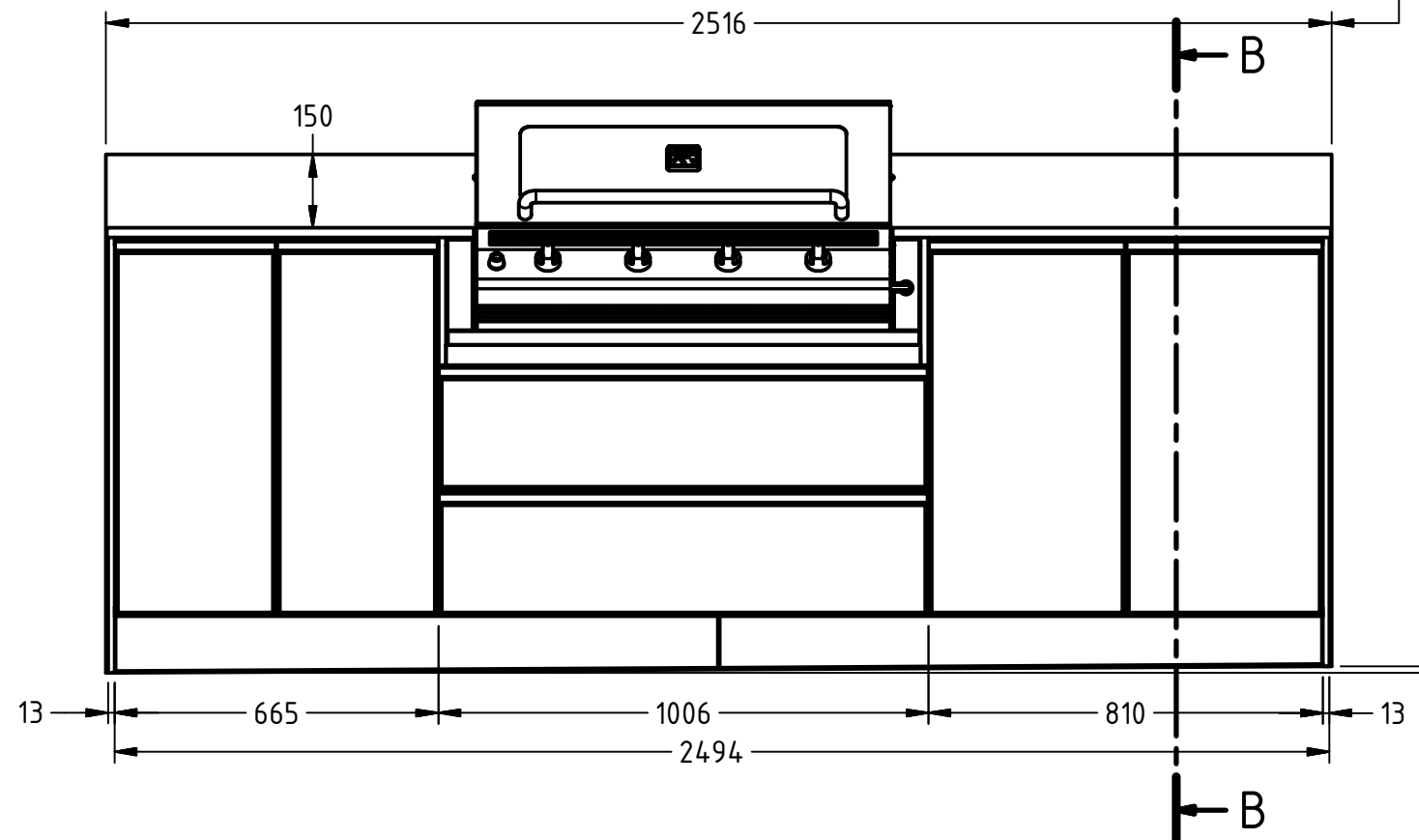
DOOR/DRAWER FRONT SPECIFICATION	
Feature	Specification
Material	AL/Glass
Thickness	D=21mm
Glass Profile	PLAIN
Surface	Painted (Inside)
Colour Name	"BASALT"
Colour Chart	Colourbond

BENCHTOP SPECIFICATION	
Feature	Specification
Material	Quantum Quartz
Thickness	t=20mm
Edge Face	t=20mm
Surface Finish	Polished
Colour Name	"GRAPHITE MATT"

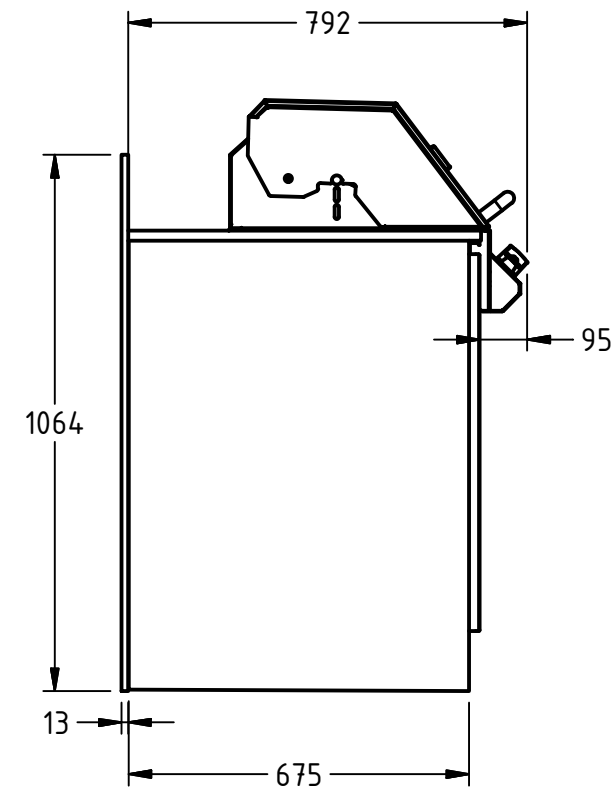
END PANEL SPECIFICATION	
Feature	Specification
Material	Compact Laminate
Thickness	t=13mm
Edge Face	W=13mm
Surface Finish	Natural
Colour Name	"SENTRY"
Colour Chart	CL Exterior



Min separation between Face Brick Column at LHS and exterior wall of residence at RHS: W=2518mm



Total Fall [down] from RHS to LHS over perimeter of footprint of ODK: h=14mm



Title: Lifestyle Modular Designer Series Outdoor Kitchen		Approved: [Signature]	
Customer Name: Dural		Date:	
Job Number:		Date:	
ABM Representative:		Date:	
Designed By:		Date:	
Approved By:		Date:	

	GEN. TOL	
	Linear	Angular
X	± 1.0	± 2°
X.X	± 0.6	± 1°
X.XX	± 0.25	± 0.5°

