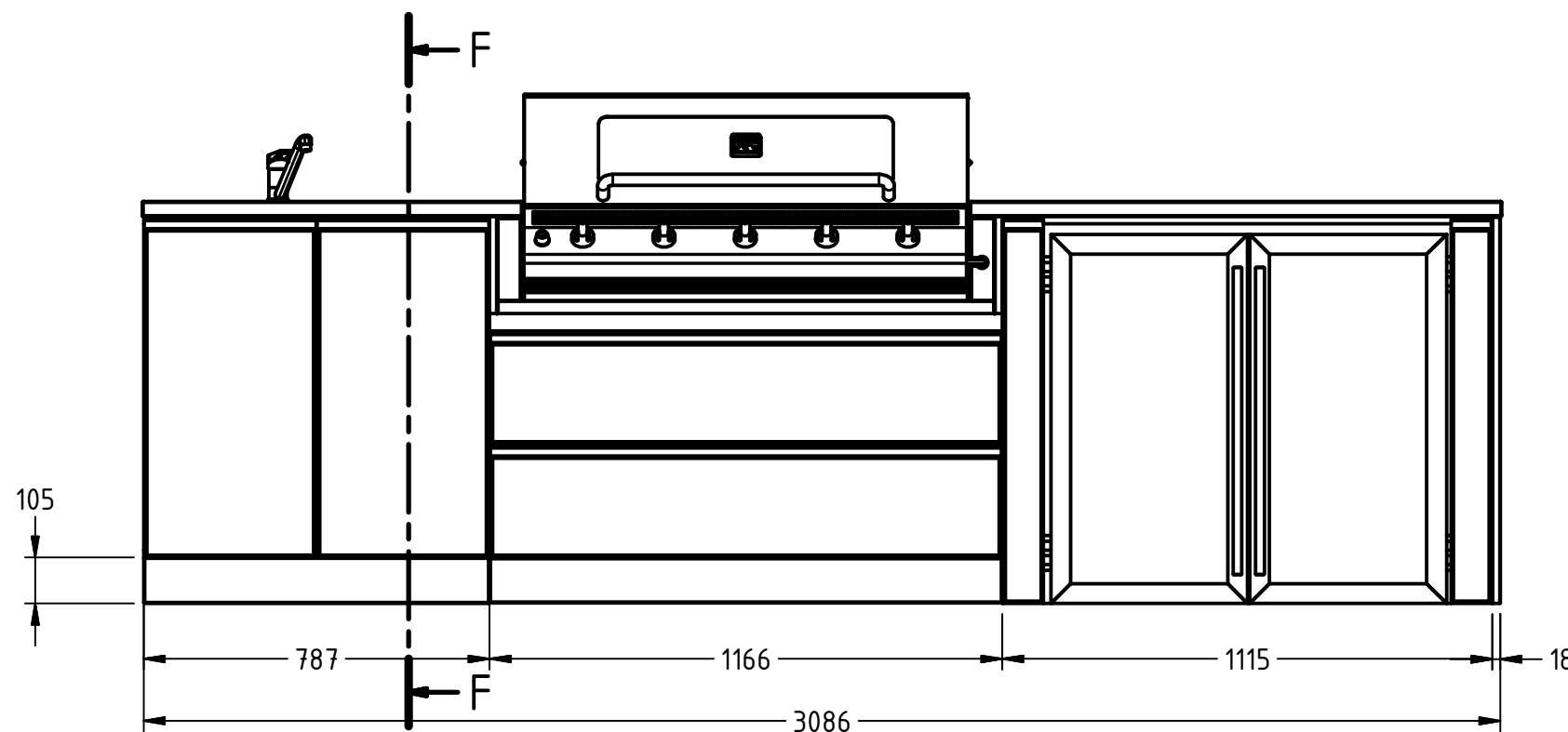
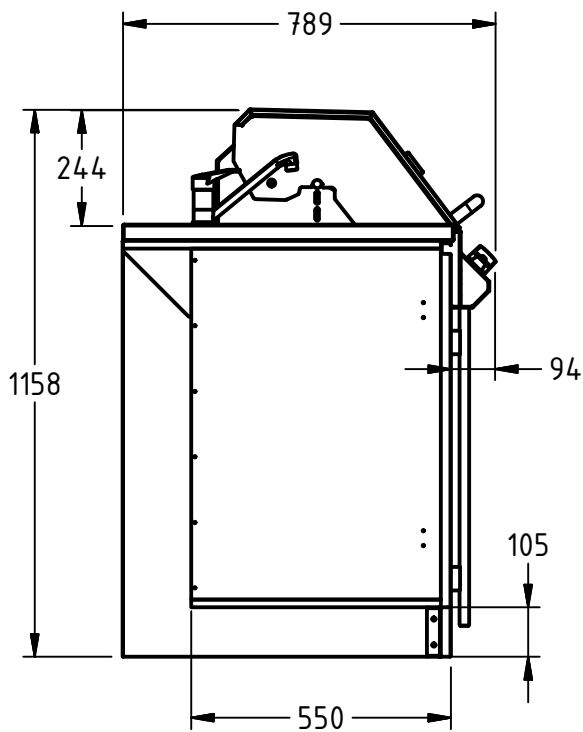
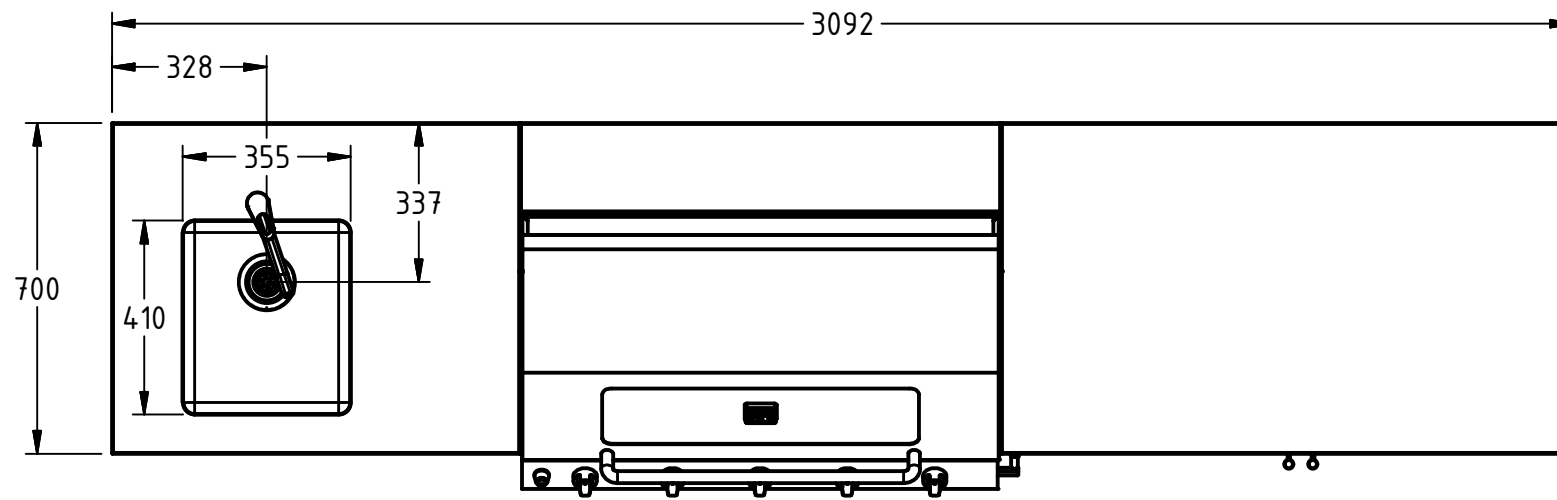


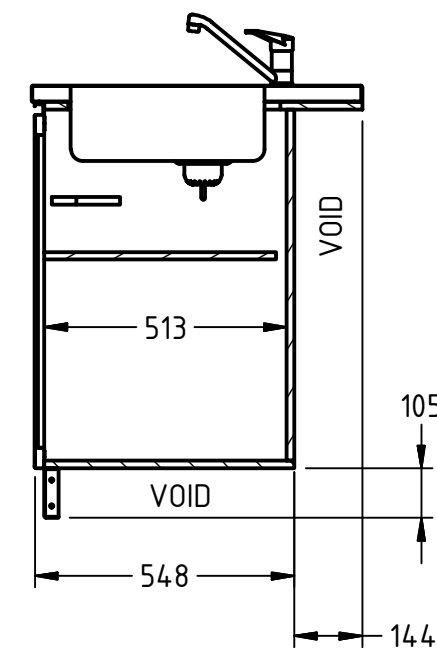
BENCHTOP SPECIFICATION	
Description	Specification
Material	Stainless Steel
Thickness	t=1.5mm
Edge	H=35mm
Surfaces	#4

END PANEL SPECIFICATION	
Feature	Specification
Material	Stainless Steel
Thickness	t=1.5mm
Edge Face	W=18mm
Surface Finish	#4

DOOR/DRAWER FRONT SPECIFICATION	
Feature	Specification
Material	Al/6mm Safety Glass
Thickness	D=21mm
Surface Finish	Painted (inside)
Colour Name	"GOTHAM" (Metallic)
Glass Profile	Ribboned
Colour Chart	Dulux



SECTION F-F  
( 1 : 16 )



Title: Lifestyle "Designer Series" Outdoor Kitchen		Approved: [Signature]	
Customer Name: Earlwood		Date:	
Job Number:		Date:	
ABM Representative:		Date:	
Designed By:		Date:	
Approved By:		Date:	

	GEN. TOL	
	Linear	Angular
X	± 1.0	± 2°
X.X	± 0.6	± 1°
X.XX	± 0.25	± 0.5°

