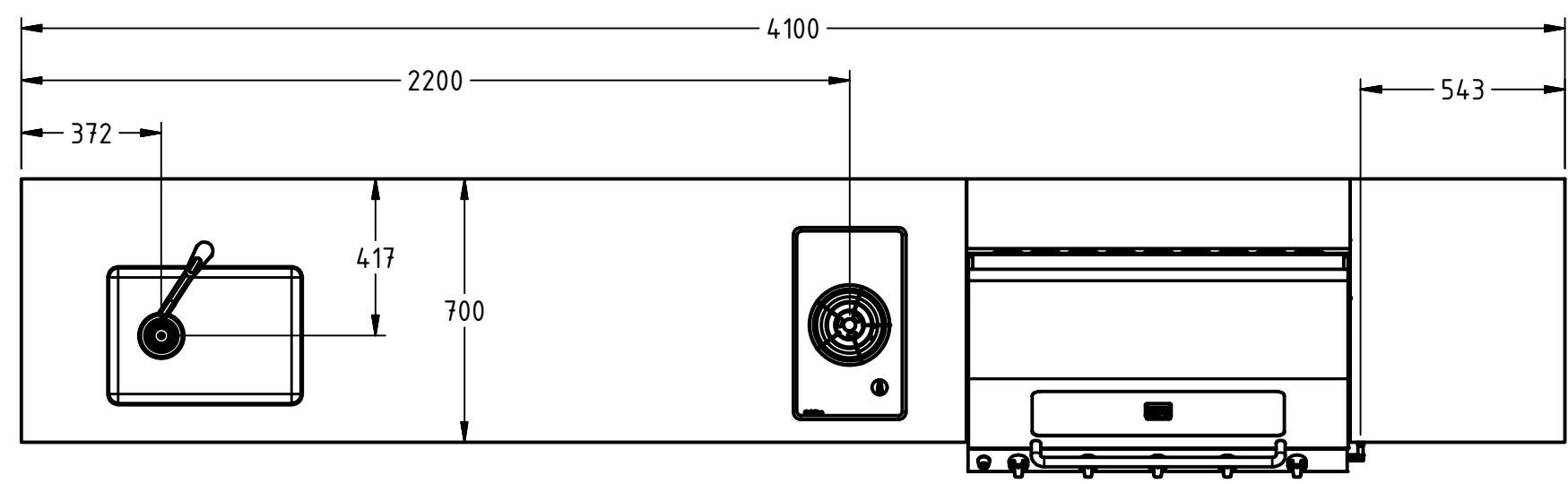


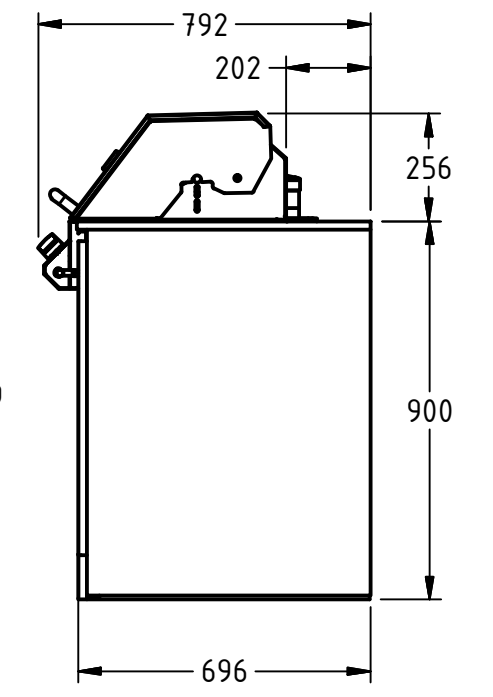
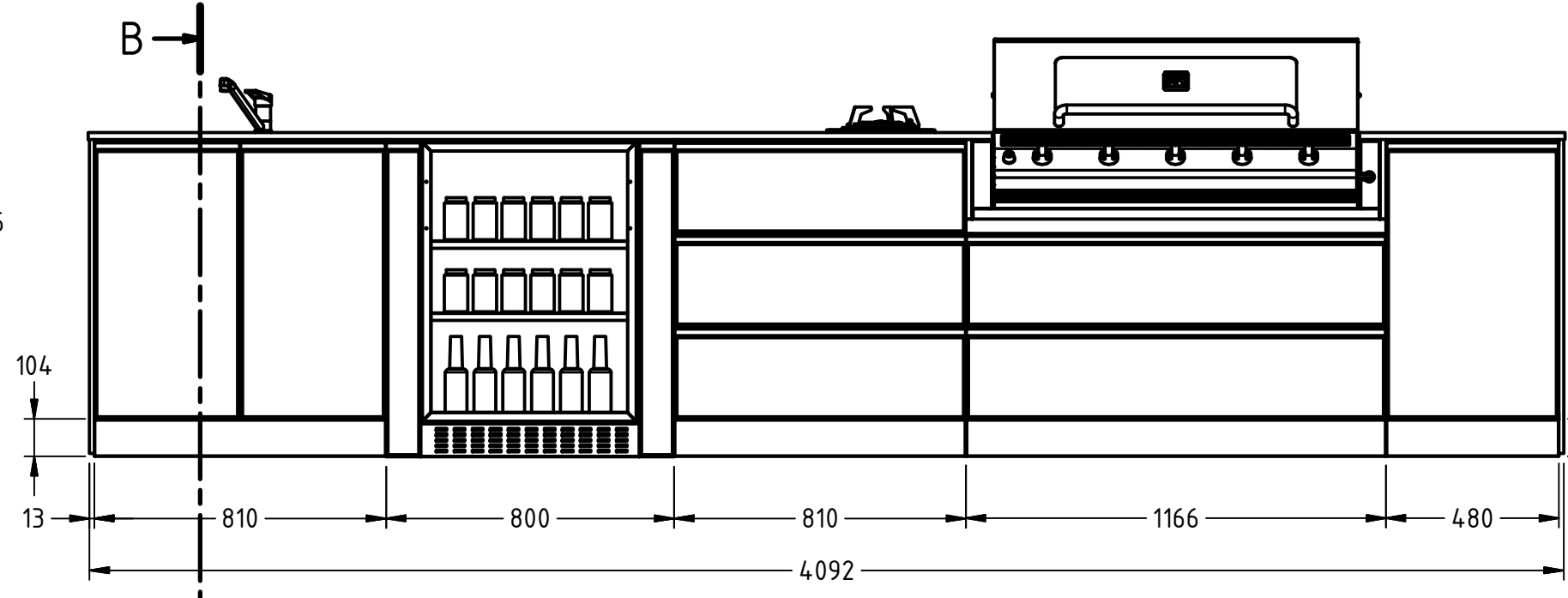
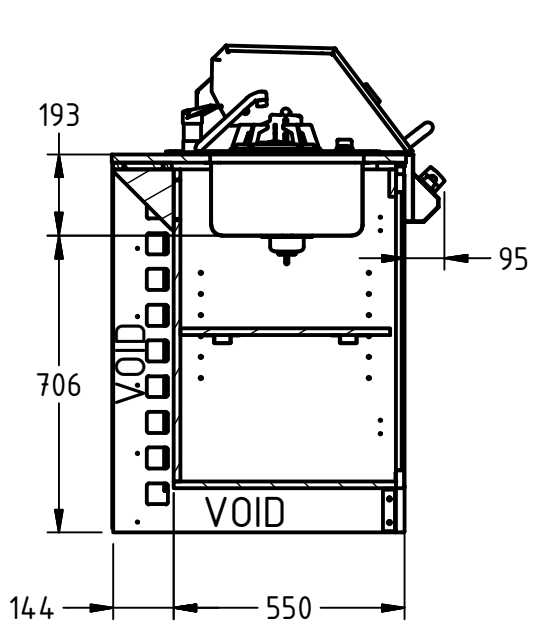
BENCHTOP SPECIFICATION	
Feature	Specification
Material	Quantum Quartz
Thickness	t=20mm
Edge Face	H=20mm
Surface Finish	Polished
Colour Name	"STORM"

DOOR/DRAWER FRONT SPECIFICATION	
Feature	Specification
Material	Al / Glass
Thickness	t=21mm
Surface	Painted (inside)
Colour Name	"SURMIST"
Colour Chart	Dulux

END PANEL SPECIFICATION	
Feature	Specification
Material	SS 304
Thickness	t=18mm
Edge Face	W=18mm
Surface Finish	#4 Brushed
Colour Name	Natural



SECTION B-B
(1 : 18)



Title:	Lifestyle Modular "Designer Series"l Outdoor Kitchen	
Customer Name:	Freshwater	Approved: [Signature]
Job Number:		Date:

	GEN. TOL	
	Linear	Angular
X	± 1.0	± 2°
X.X	± 0.6	± 1°
X.XX	± 0.25	± 0.5°

ABM Representative:	Date:
Designed By:	Date:
Approved By:	Date:

