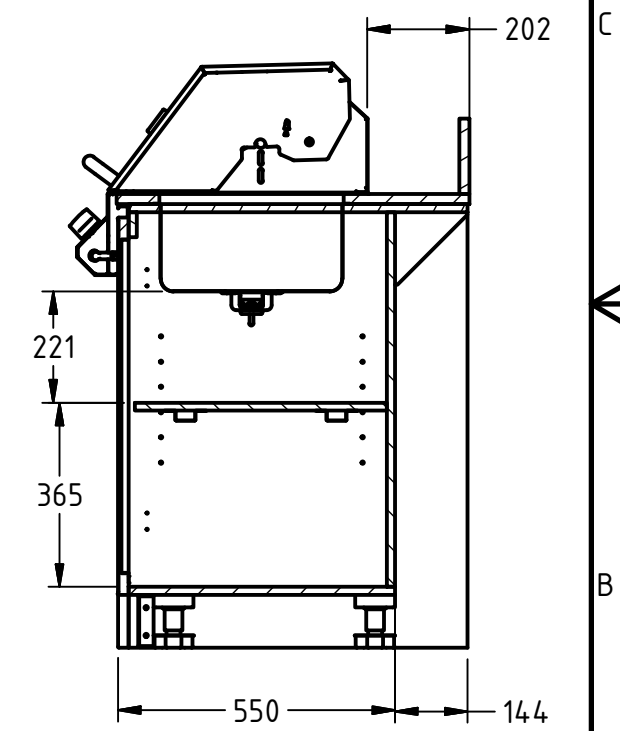
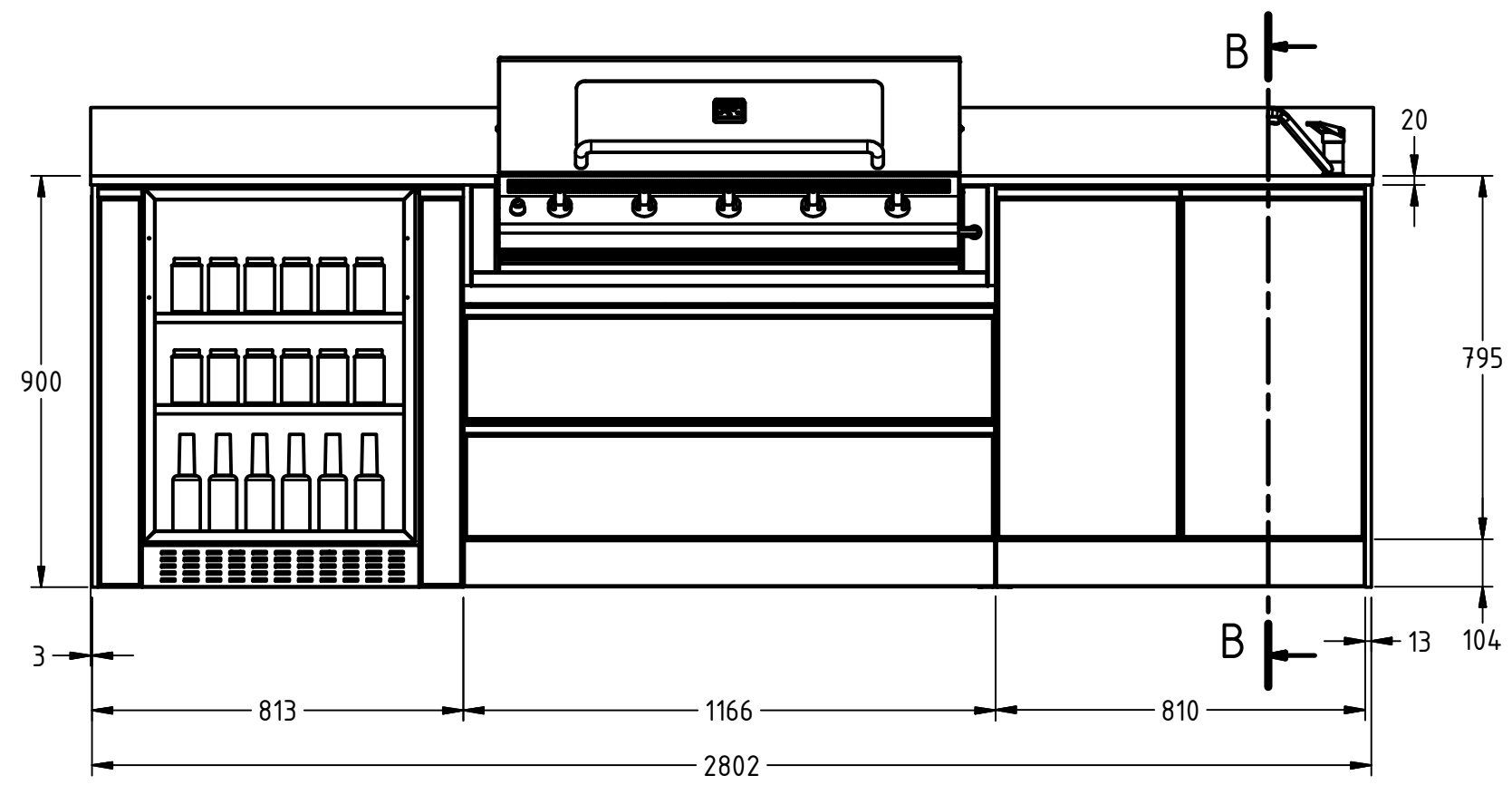
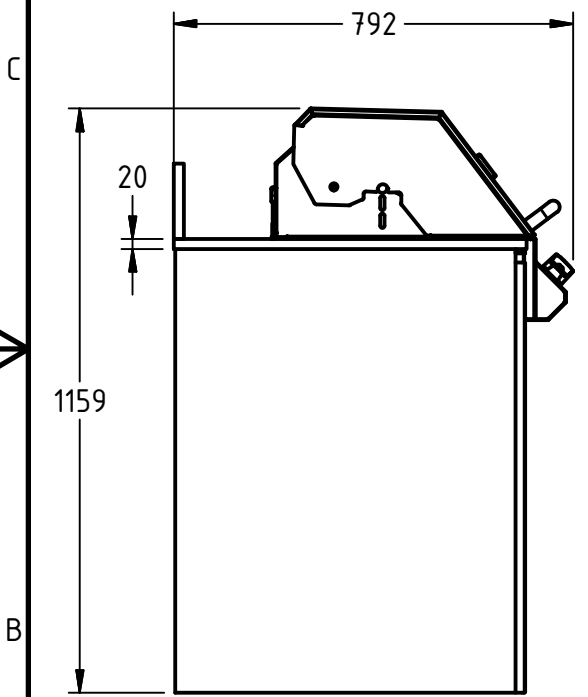
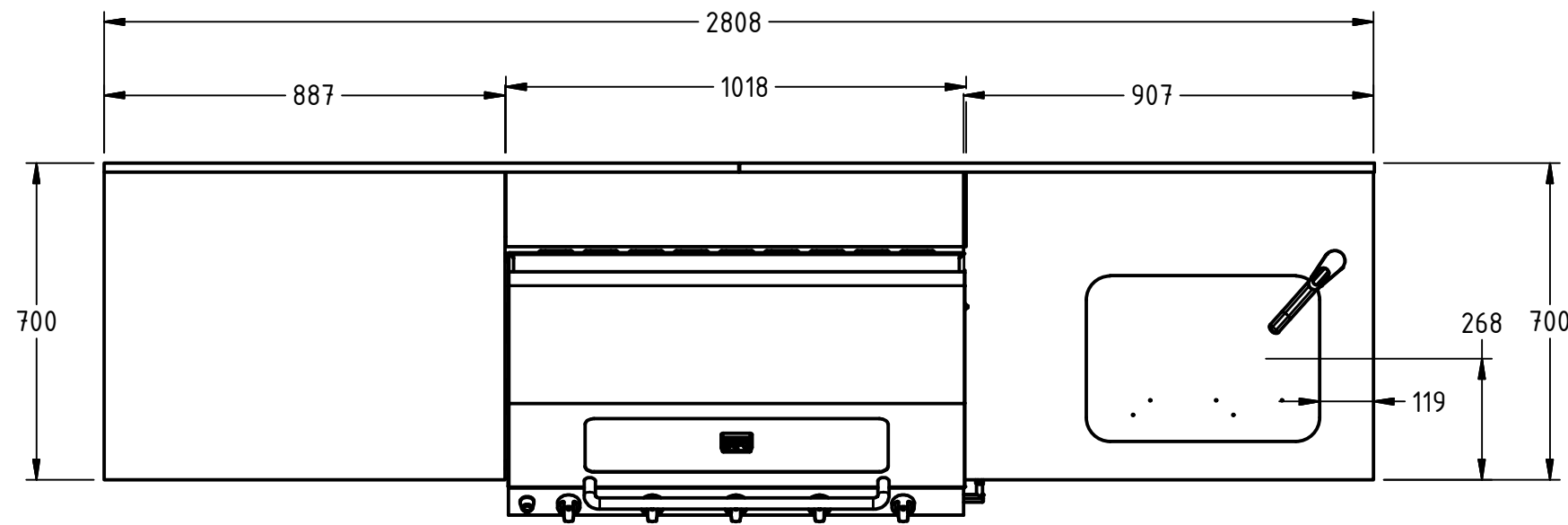


BENCHTOP SPECIFICATION	
Description	Specification
Material	Granite
Thickness	t=20mm
Edge Face	H=20mm
Surface	Polished
Colour Name	"Indian Jet Black Dark"

END PANEL SPECIFICATION	
Description	Specification
Material	AL/Glass
Thickness	21mm
Surface Coating	Safety Glass
Colour Name	"Phantom Hue"
Colour Reference	Dulux

DOOR/DRAWER SPECIFICATION	
Description	Specification
Material	AL/Glass
Thickness	21mm
Surface Coating	Safety Glass
Colour Name	"Phantom Hue"
Colour Reference	Dulux



SECTION B-B (1 :15)

Title: Lifestyle Modular Designer Series Outdoor Kitchen		Approved: [Signature]	
Customer Name: Greenhills Beach		Date:	
Job Number:		Date:	
ABM Representative:		Date:	
Designed By:		Date:	
Approved By:		Date:	

	GEN. TOL	
	Linear	Angular
X	± 1.0	± 2°
X.X	± 0.6	± 1°
X.XX	± 0.25	± 0.5°

