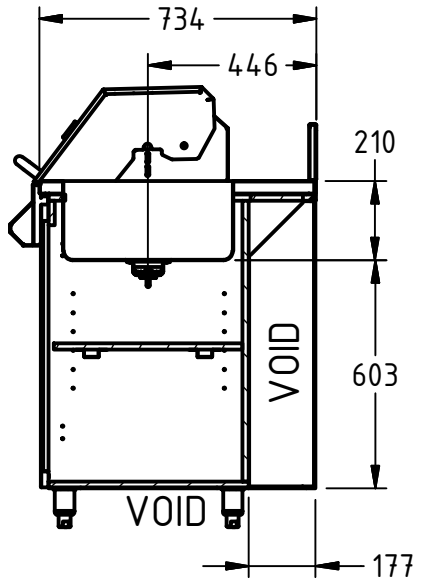
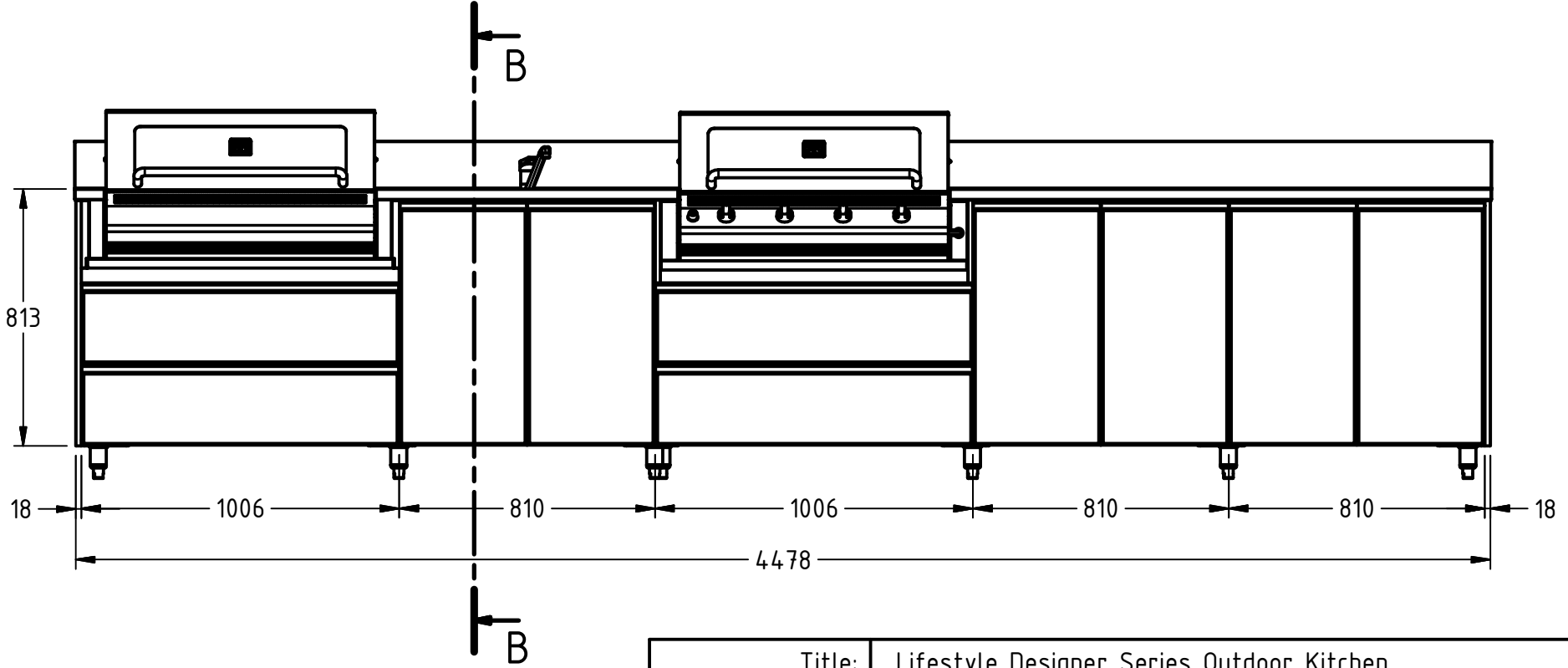
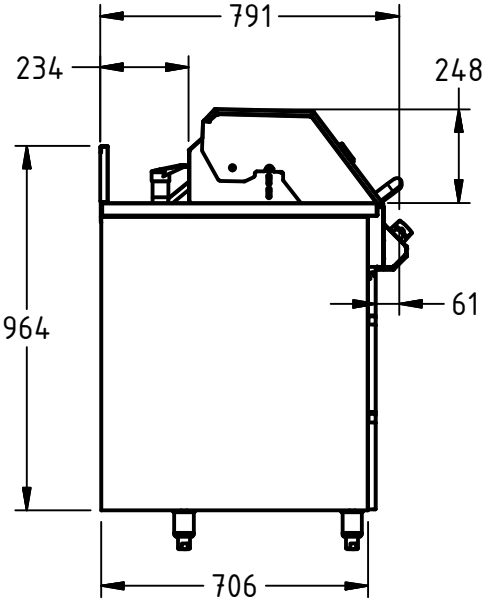


BENCHTOP SPECIFICATION	
Feature	Specification
Material	304 Stainless Steel
Thickness	t=1.5mm
Edge Face	H=35mm
Surface Finish	#4 Polished
Colour Name	Natural

DOOR/DRAWER FRONT SPECIFICATION	
Feature	Specification
Material	Al Framed/6mm Glass
Thickness	D=21mm
Glass Profile	RIBBONED
Surface	Painted (Inside)
Colour Name	"GOTHAM MIDNIGHT"
Colour Chart	Evic (Metallic)

END PANEL SPECIFICATION	
Feature	Specification
Material	304 Stainless Steel
Thickness	t=1.5mm
Edge Face	H=35mm
Surface Finish	#4 Polished
Colour Name	Natural

SECTION B-B  
( 1 : 20 )



Title: Lifestyle Designer Series Outdoor Kitchen		Approved: [Signature]	
Customer Name: Hunters Hill		Date:	
Job Number:		Date:	
ABM Representative:		Date:	
Designed By:		Date:	
Approved By:		Date:	

	GEN. TOL	
	Linear	Angular
X	± 1.0	± 2°
X.X	± 0.6	± 1°
X.XX	± 0.25	± 0.5°

