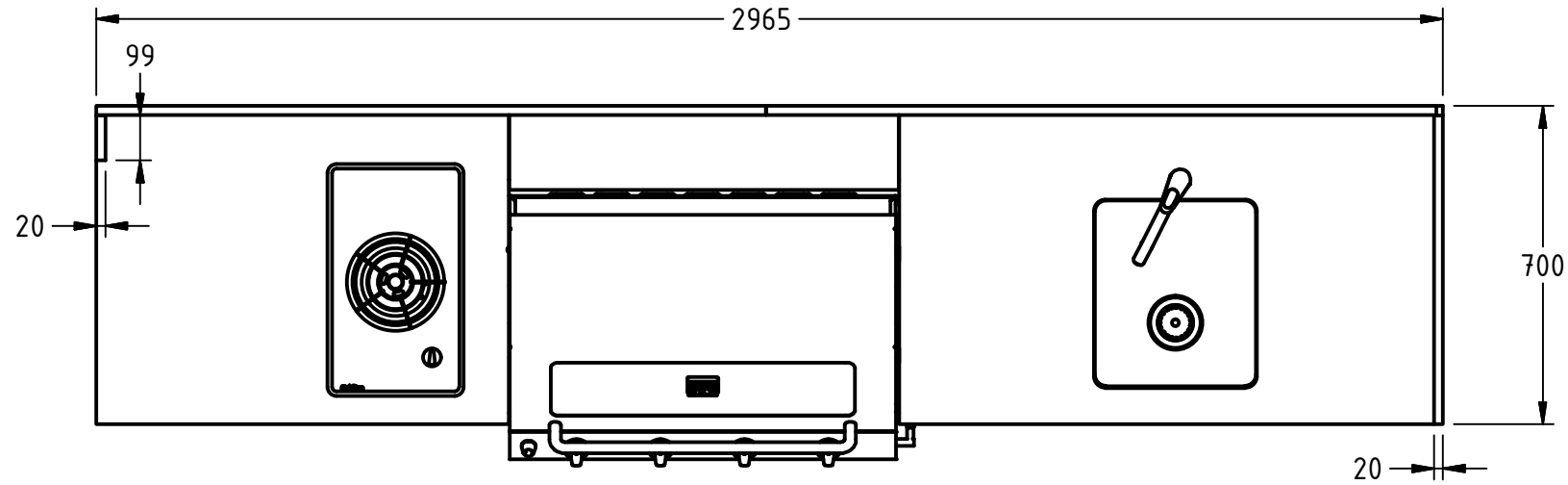
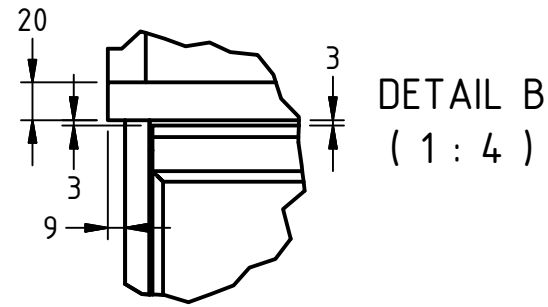
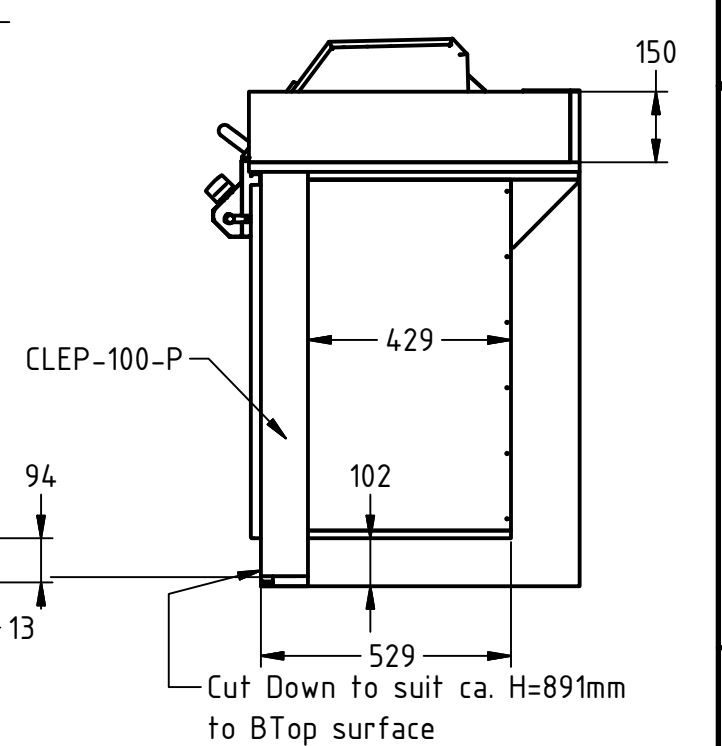
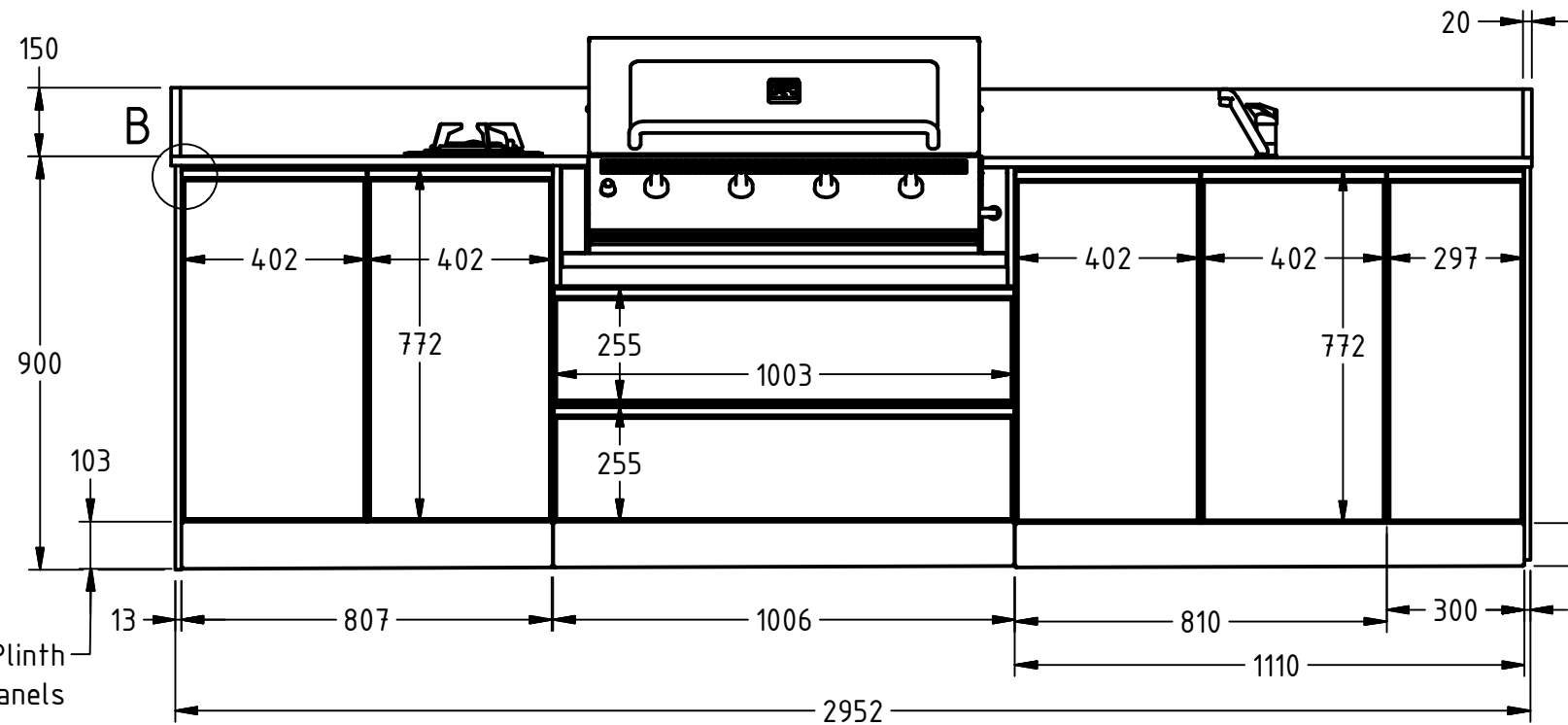
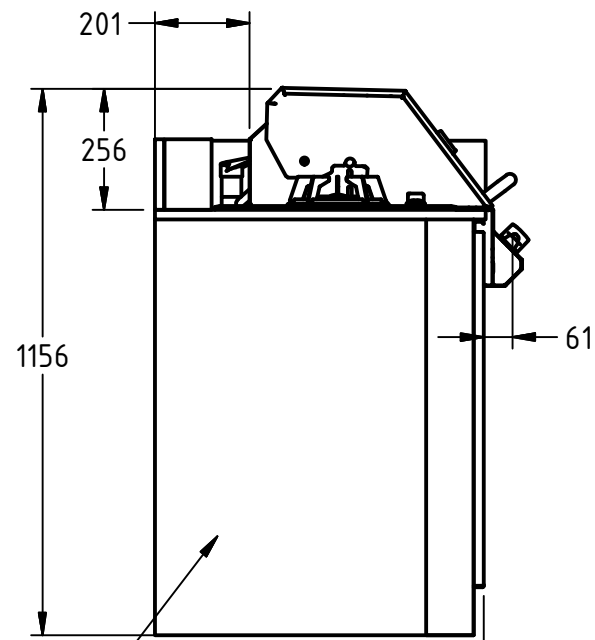


DOOR/DRAWER FRONT SPECIFICATION	
Feature	Specification
Material	AL/Glass
Thickness	21mm
Surface	6mm Safety Glass
Colour Name	"GREY PAIL"
Colour Chart	Dulux

BENCHTOP SPECIFICATION	
Feature	Specification
Material	Quantum Quartz
Thickness	20mm
Edge Face	H=40mm
Surface Finish	Polished
Colour Name	"STORM"



END PANEL SPECIFICATION	
Feature	Specification
Material	SS 304
Thickness	t=18mm
Edge Face	W=18mm
Surface Finish	#4 Brushed
Colour Name	Natural



CLEP-700-P (to LHS)

121 Inclined Plinth Panels

Title: Lifestyle Modular Designer Series Kitchen		Approved: [Signature]	
Customer Name: Kingsgrove		Date:	
Job Number:		Date:	
ABM Representative:		Date:	
Designed By:		Date:	
Approved By:		Date:	

	GEN. TOL	
	Linear	Angular
X	± 1.0	± 2°
X.X	± 0.6	± 1°
X.XX	± 0.25	± 0.5°

