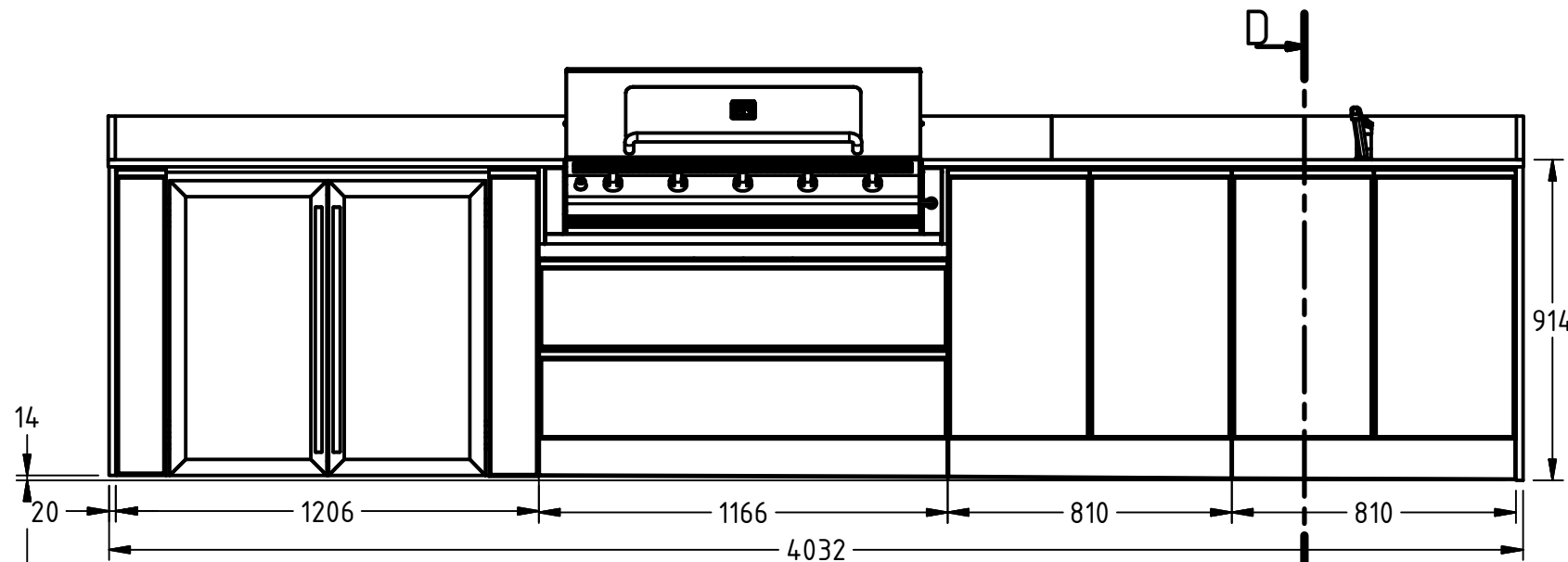
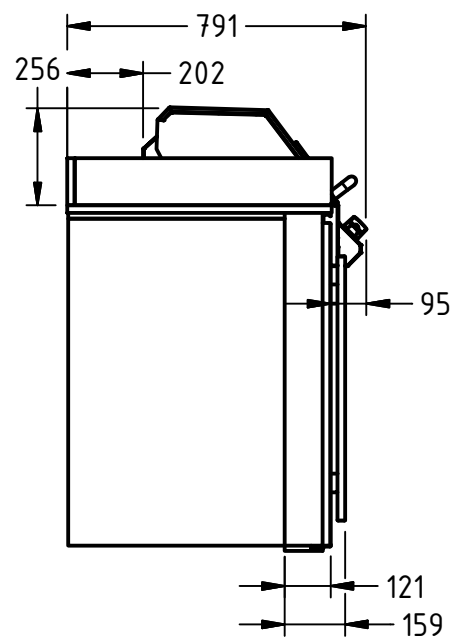
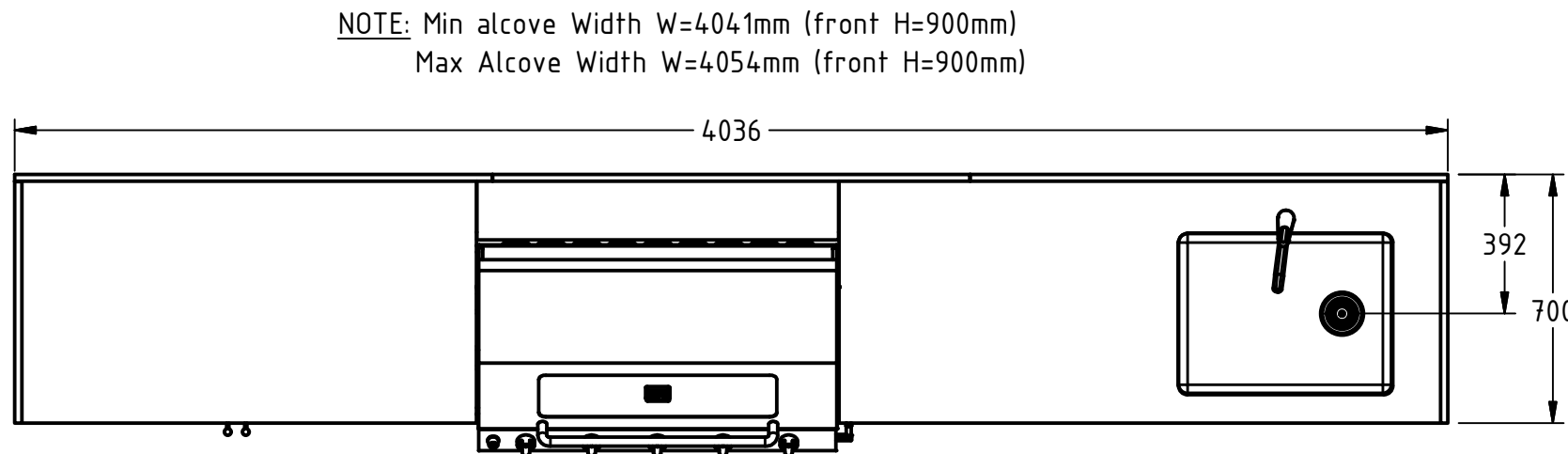


BENCHTOP SPECIFICATION	
Description	Specification
Material	Quantum Quartz
Thickness	20mm
Edge	H=20mm
Surfaces	Polished
Colour Name	"STORM"

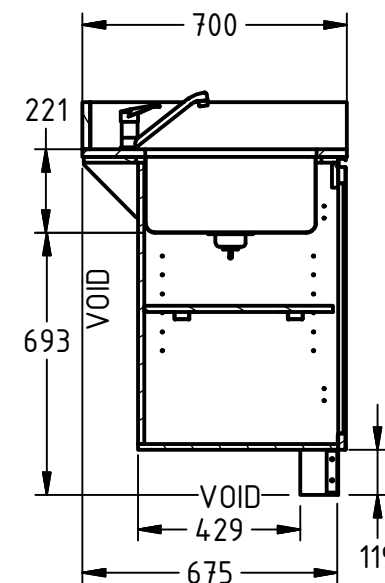
END PANEL SPECIFICATION	
Feature	Specification
Material	Quantum Quartz
Thickness	13 mm
Edge Face	W=13mm
Surface Finish	Polished
Colour Name	"STORM"

DOOR/DRAWER FRONT SPECIFICATION	
Feature	Specification
Material	Al/6mm Safety Glass
Thickness	D=21mm
Surface Finish	Painted (inside)
Colour Name	"NIGHTWOLF"
Glass Profile	Ribboned
Colour Chart	EVIC



Total fall over W=4040mm of alcove tiled floor
(for surface water run-off) approx 14-15mm

SECTION D-D
(1 : 20)



Title: Lifestyle "Designer Series" Outdoor Kitchen		Approved: [Signature]	
Customer Name: Malabar		Date:	
Job Number:		Date:	
ABM Representative:		Date:	
Designed By:		Date:	
Approved By:		Date:	

	GEN. TOL	
	Linear	Angular
X	± 1.0	± 2°
X.X	± 0.6	± 1°
X.XX	± 0.25	± 0.5°

