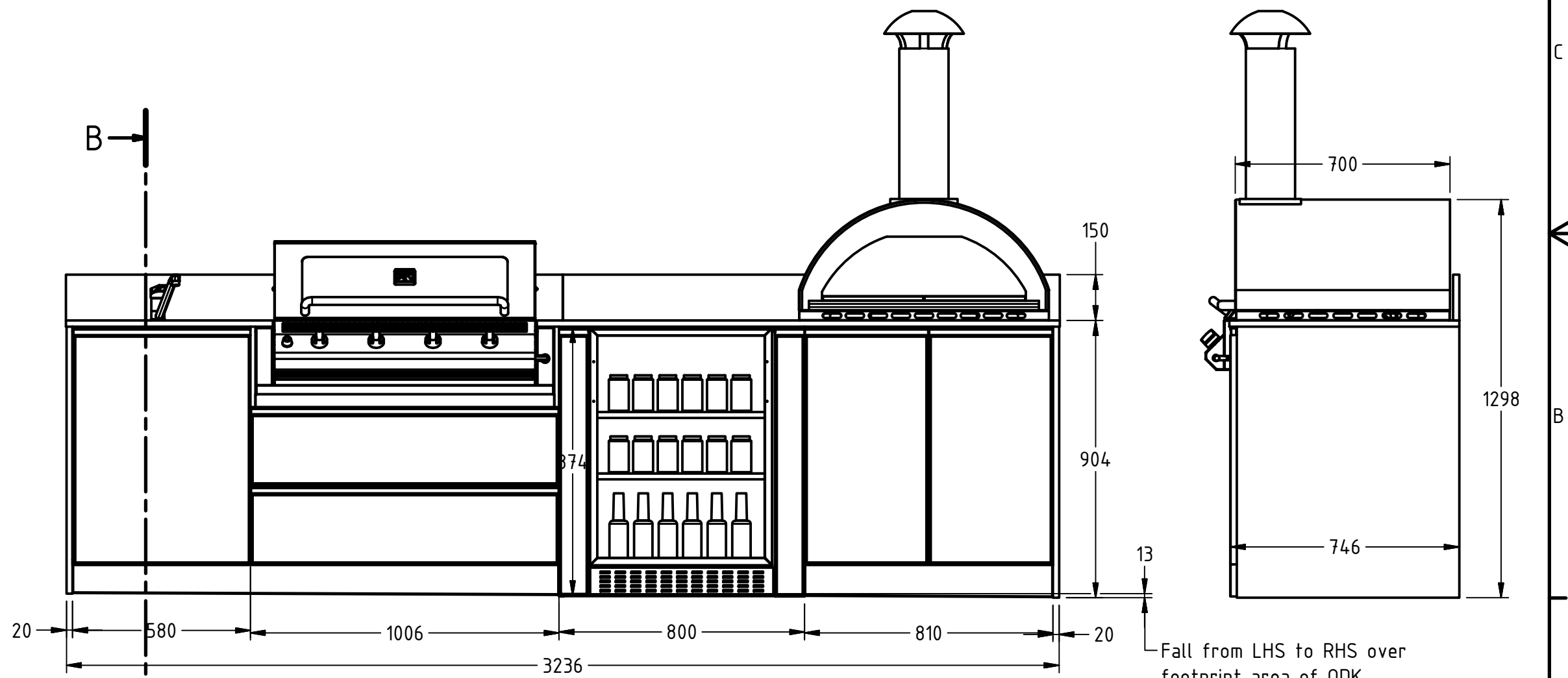
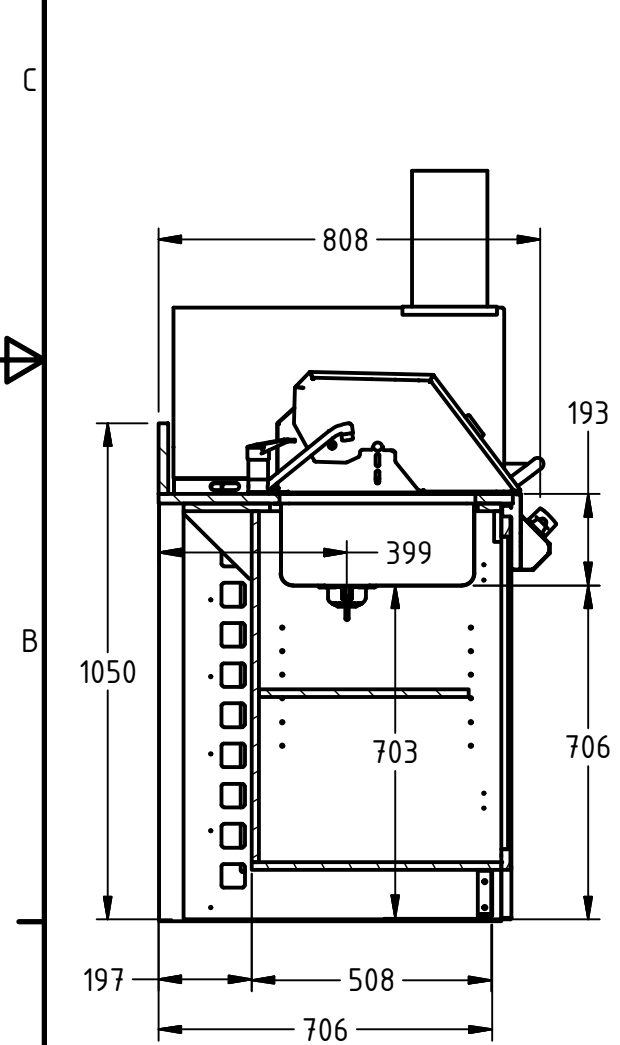
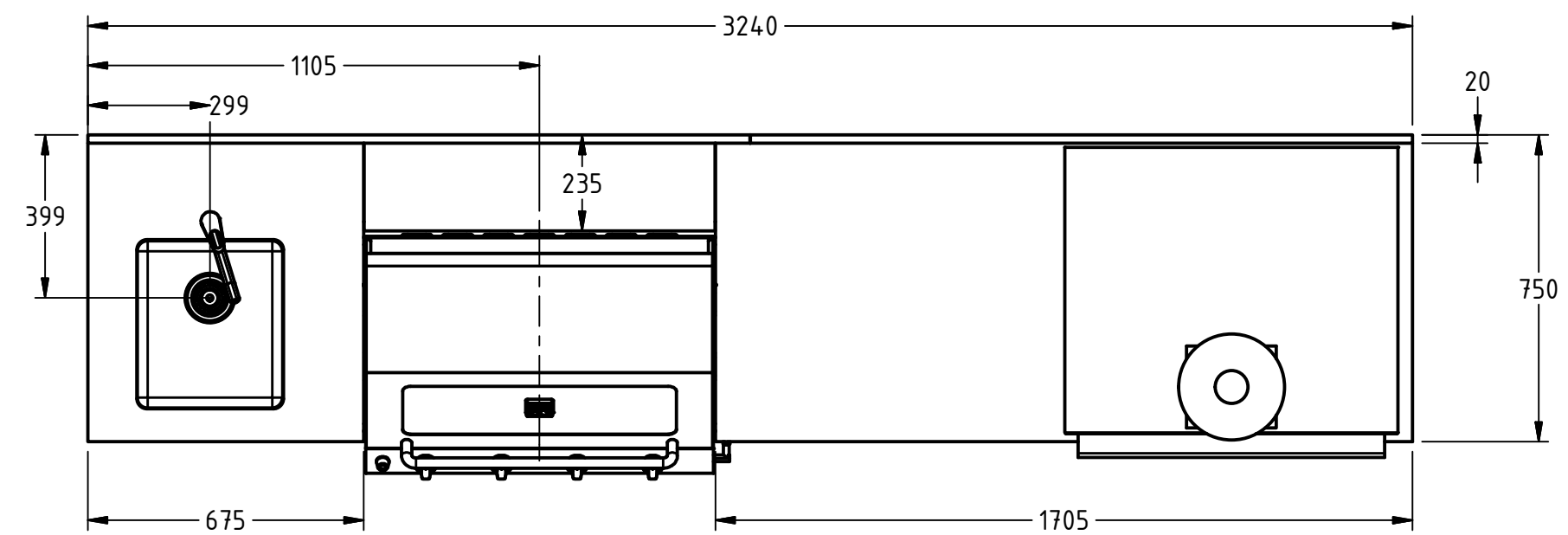


DOOR/DRAWER FRONT SPECIFICATION	
Feature	Specification
Material	AL/Composite
Thickness	D=21mm
Glass Profile	PLAIN / RIBBONED
Inside Surface	White
Colour Name	"NATURAL OAK"
Colour Chart	Polytec

BENCHTOP SPECIFICATION	
Feature	Specification
Material	Smartstone
Thickness	t=20mm
Edge Face	H=20mm
Surface Finish	Polished
Colour Name	"NIEVE WHITE"

END PANEL SPECIFICATION	
Feature	Specification
Material	Smartstone
Thickness	t=20mm
Edge Face	W=20mm
Surface Finish	Polished
Colour Name	"NIEVE WHITE"



SECTION B-B (1 : 16)

Title: Lifestyle Designer Series Outdoor Kitchen		Approved: [Signature]	
Customer Name: Miranda		Date:	
Job Number:		Date:	
ABM Representative:		Date:	
Designed By:		Date:	
Approved By:		Date:	

	GEN. TOL	
	Linear	Angular
X	± 1.0	± 2°
X.X	± 0.6	± 1°
X.XX	± 0.25	± 0.5°

