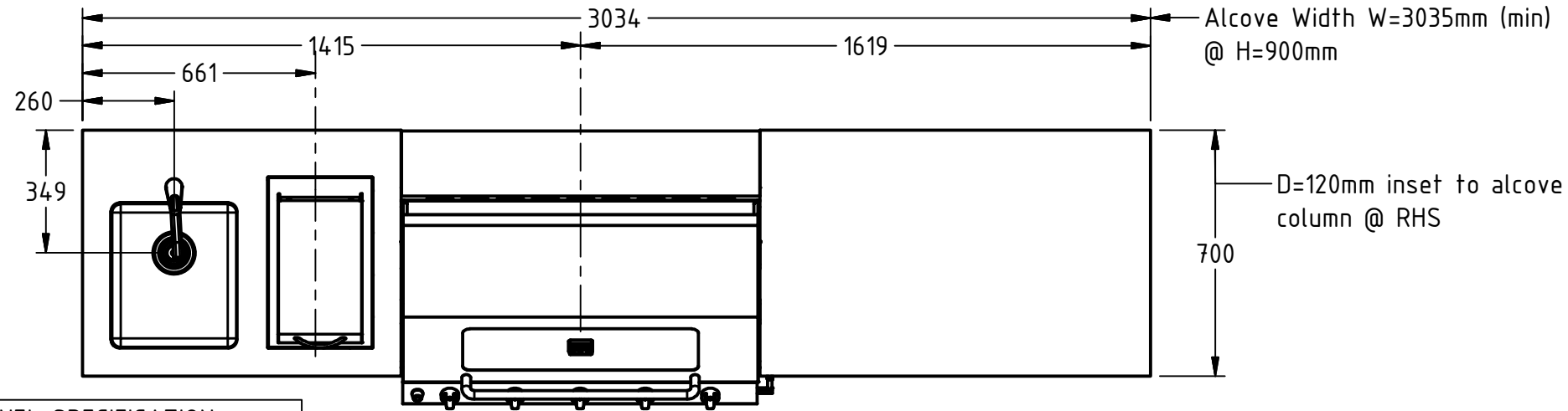


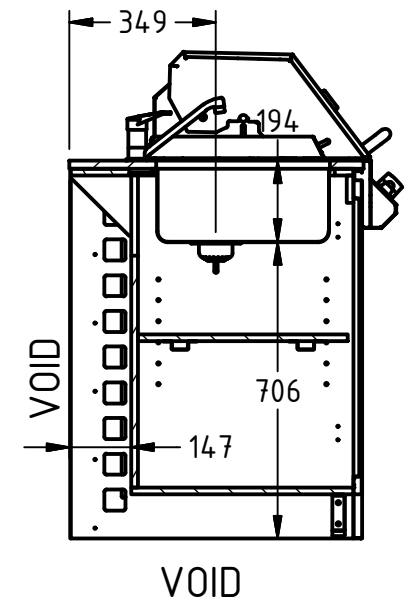
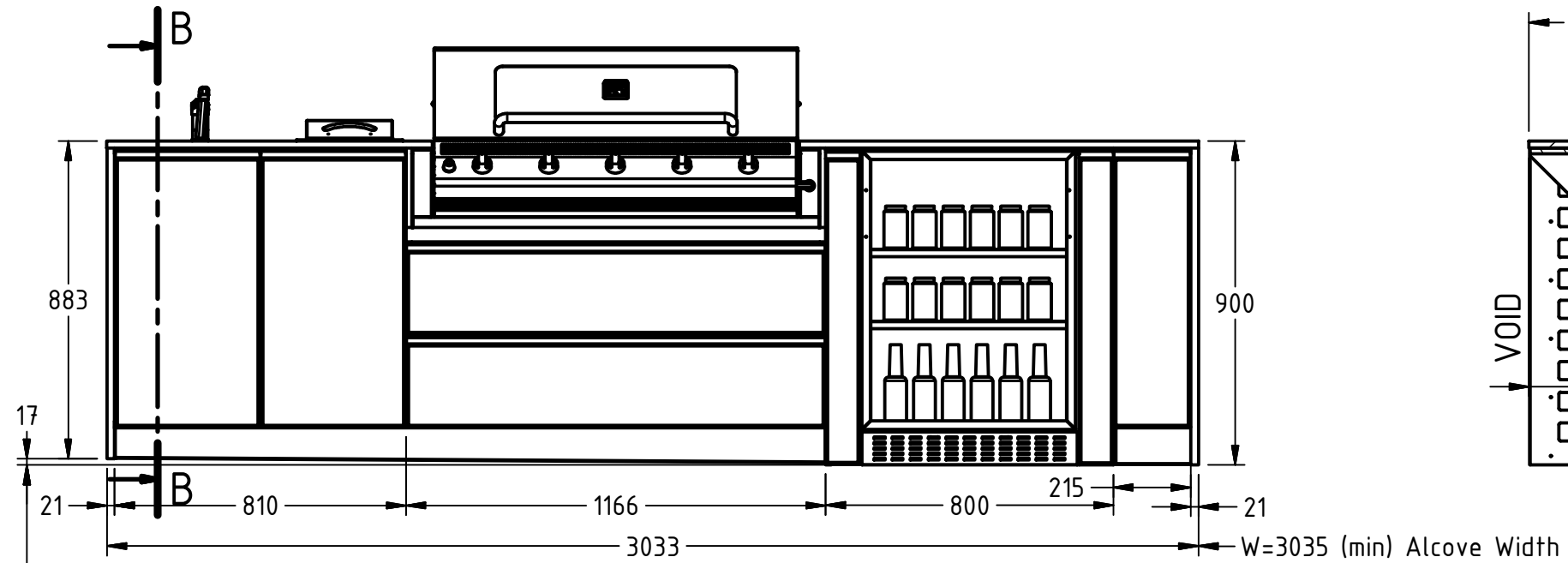
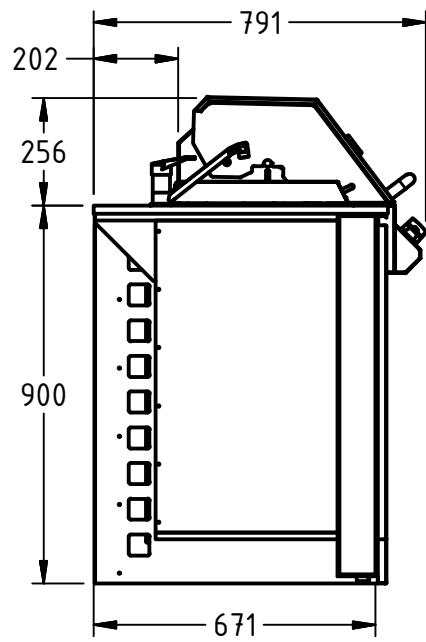
DOOR/DRAWER FRONT SPECIFICATION	
Feature	Specification
Material	Polytec
Thickness	D=21mm
Surface Profile	"RAVINE"
Surface	Laminated
Colour Name	"CHAR OAK" Ravine
Colour Chart	Polytec

BENCHTOP SPECIFICATION	
Feature	Specification
Material	Quantum Quartz
Thickness	t=20mm
Edge Face	H=20mm
Surface Finish	Polished
Colour Name	"POLAR"

END PANEL SPECIFICATION	
Feature	Specification
Material	Polytec
Thickness	t=6mm/21mm
Edge Face	W=21mm
Surface Profile	Ravine
Colour Name	"CHAR OAK"
Colour Chart	Polytec



SECTION B-B
(1 : 18)



Title: Lifestyle Designer Series Outdoor Kitchen		Approved: [Signature]	
Customer Name: Mudgee		Date:	
Job Number:		Date:	
ABM Representative:		Date:	
Designed By:		Date:	
Approved By:		Date:	

	GEN. TOL	
	Linear	Angular
X	± 1.0	± 2°
X.X	± 0.6	± 1°
X.XX	± 0.25	± 0.5°

