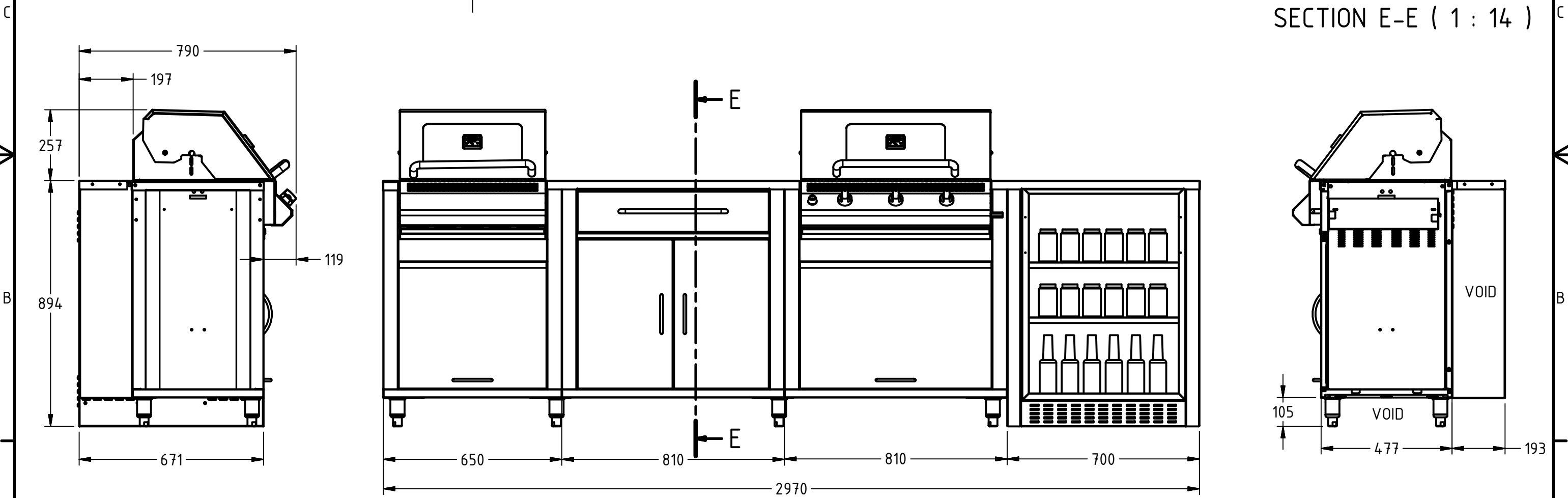


SECTION E-E ( 1 : 14 )



#4 304SS

Title:		Lifestyle Modular Stainless Steel Outdoor Kitchen	
Customer Name:		Newmarket	
Job Number:			
ABM Representative:		Date:	
Designed By:		Date:	
Approved By:		Date:	
Approved:		[Signature]	
Date:			

	GEN. TOL	
	Linear	Angular
X	± 1.0	± 2°
X.X	± 0.6	± 1°
X.XX	± 0.25	± 0.5°

