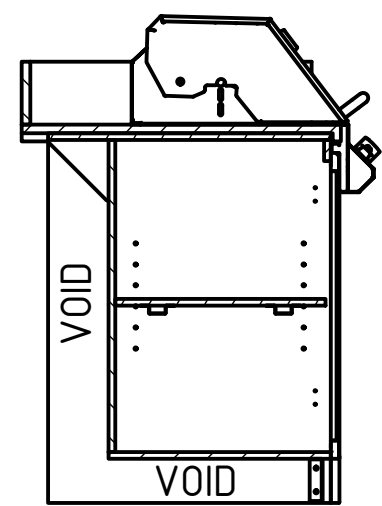
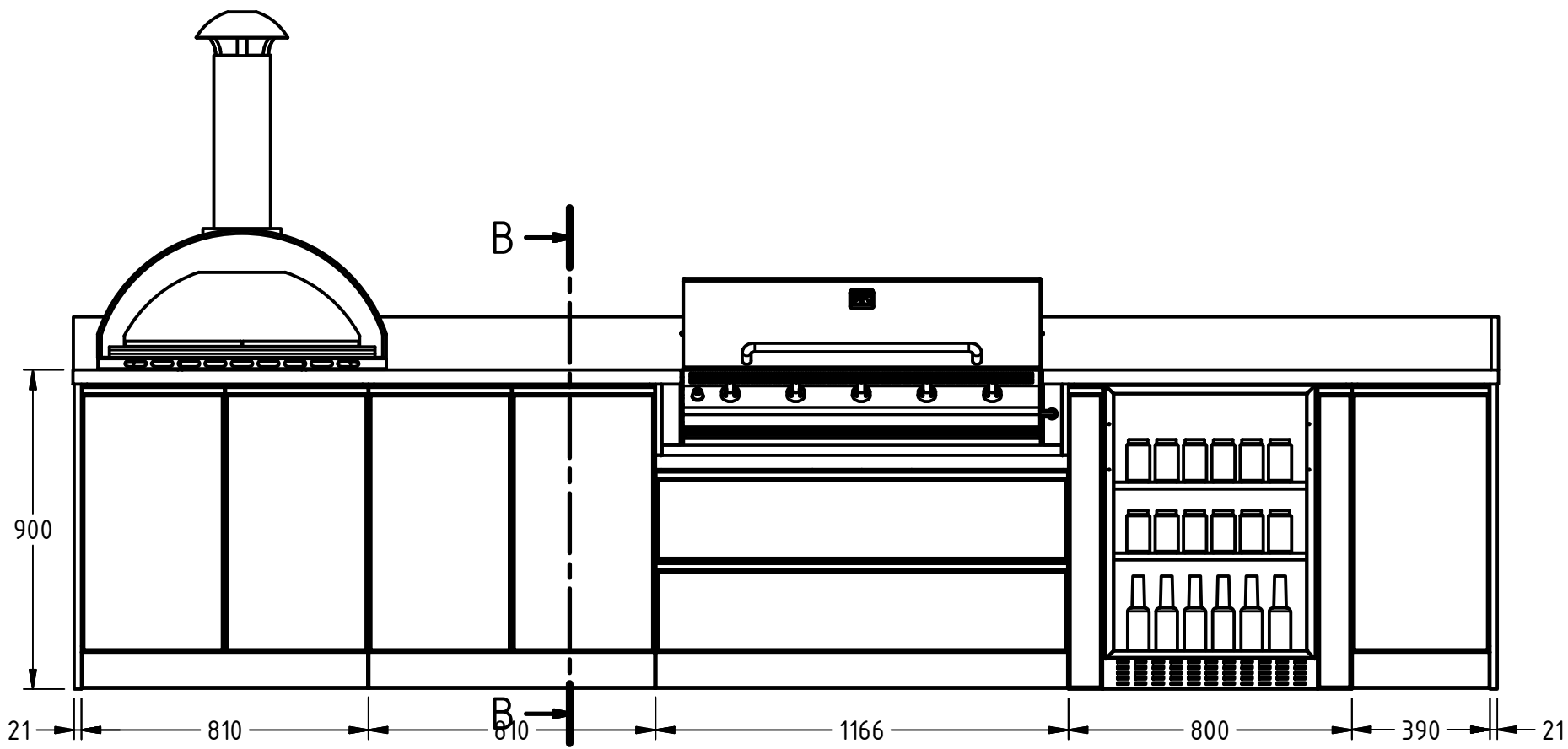
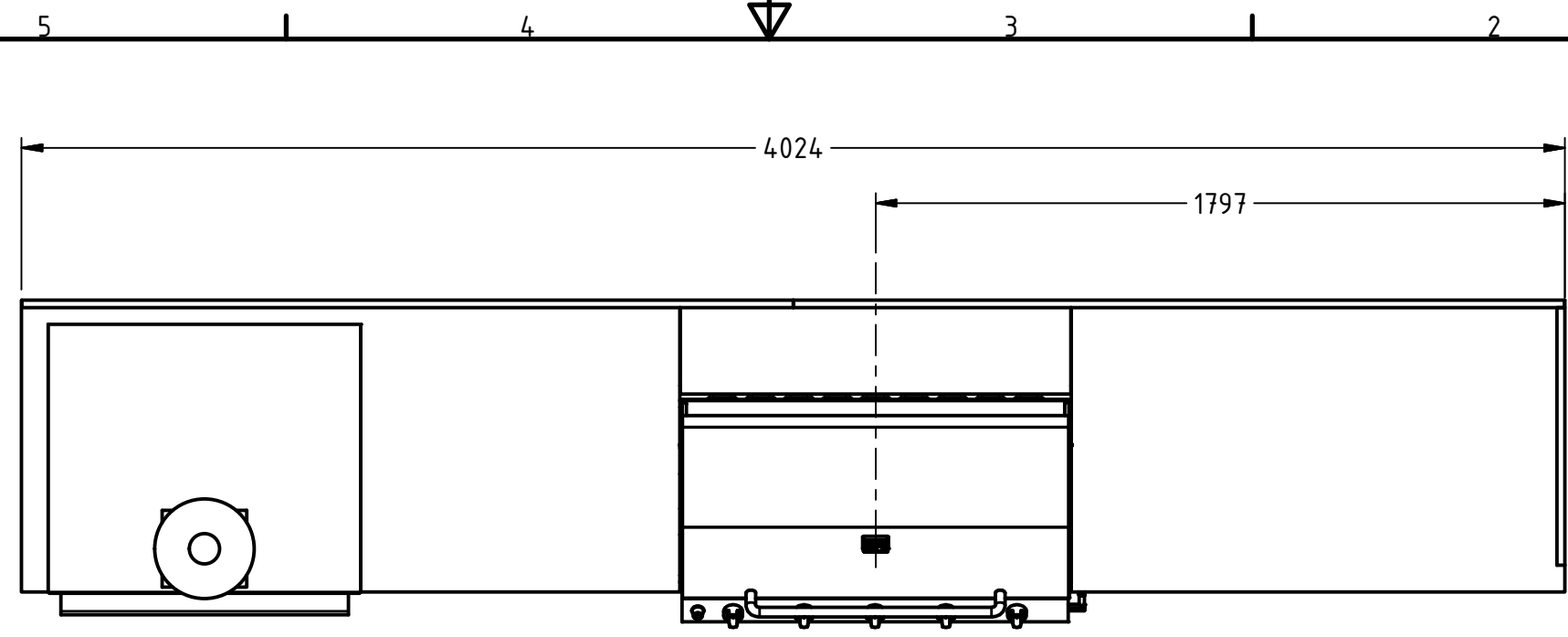


BENCHTOP SPECIFICATION	
Feature	Specification
Material	Ceasarstone
Thickness	t=20mm
Edge Face	H=40mm
Surface Finish	Matt
Colour Name	"MIDDAY" (Outdoor)

END PANEL SPECIFICATION	
Feature	Specification
Material	Aluminium Framed Glass
Thickness	t=21mm / 6mm
Edge Face	W=21mm
Surface Finish	Painted (Inside)
Colour Name	"MONUMENT"
Colour Chart	Colourbond

DOOR/DRAWER FRONT SPECIFICATION	
Feature	Specification
Material	Aluminium Framed Glass
Thickness	t=21mm / 6mm
Glass Profile	PLAIN
Surface	Painted (Inside)
Colour Name	"MONUMENT"
Colour Chart	Colourbond



SECTION B-B
(1 : 18)

	GEN. TOL	
	Linear	Angular
X	± 1.0	± 2°
X.X	± 0.6	± 1°
X.XX	± 0.25	± 0.5°

Title:	Lifestyle Designer Series Outdoor Kitchen		
Customer Name:	Northbridge	Approved:	[Signature]
Job Number:		Date:	
ABM Representative:		Date:	
Designed By:		Date:	
Approved By:		Date:	

