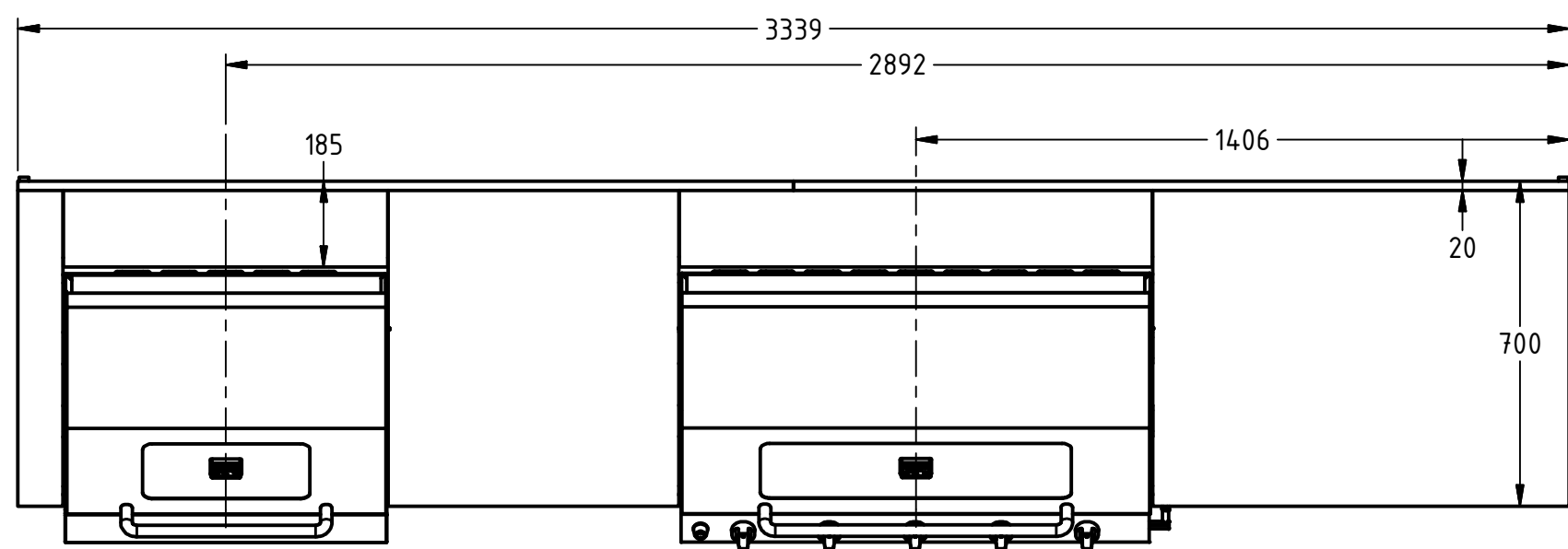


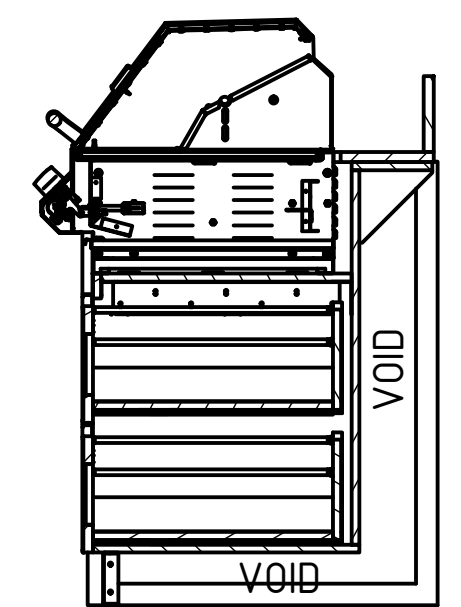
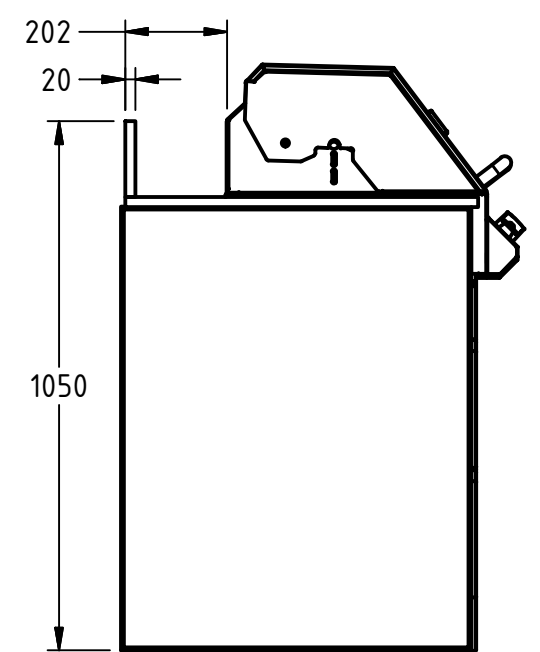
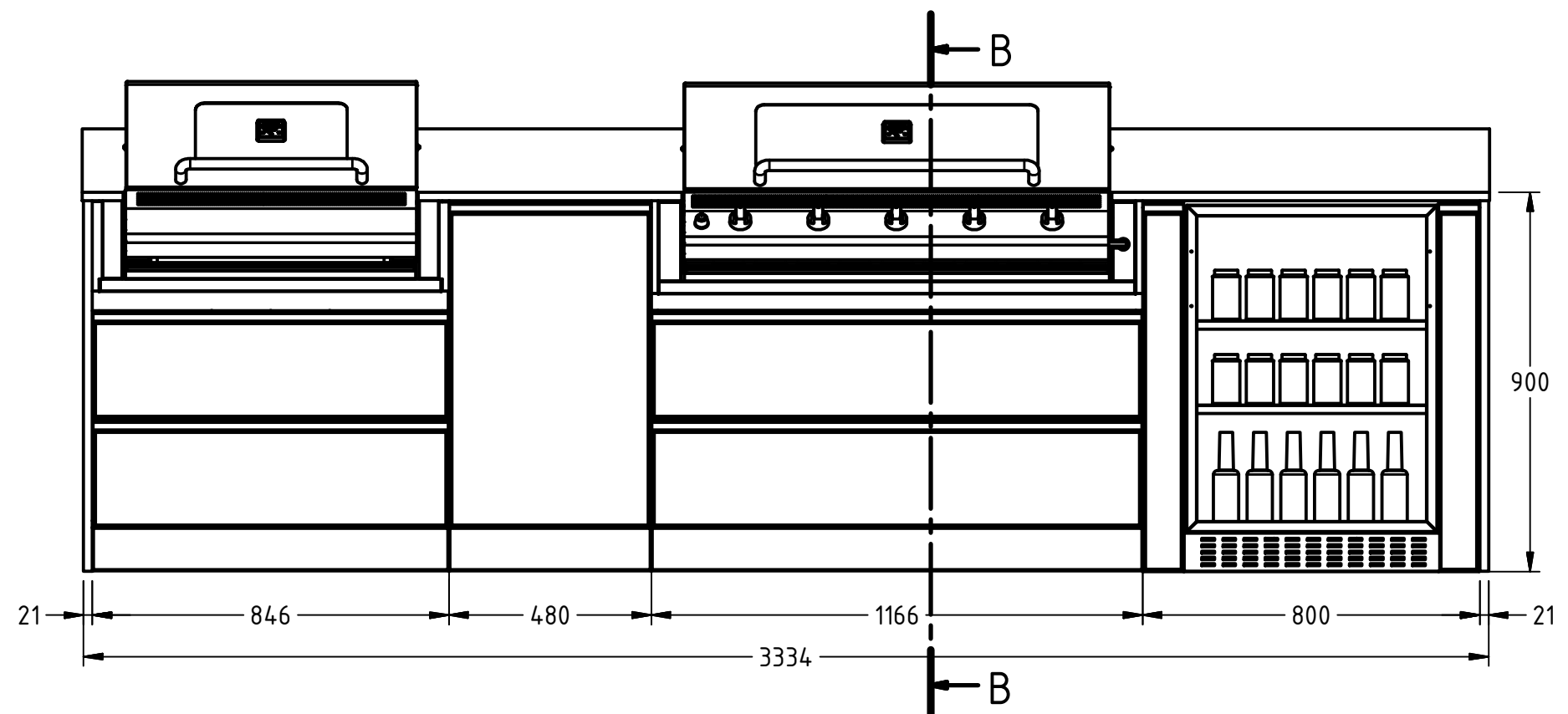
| DOOR/DRAWER FRONT SPECIFICATION | |
|---------------------------------|-------------------|
| Feature | Specification |
| Material | AL/Glass |
| Thickness | D=21mm |
| Glass Profile | RIBBONED |
| Surface | Painted (Inside) |
| Colour Name | "GOTHAM MIDNIGHT" |
| Colour Chart | Evic (Metallic) |

| BENCHTOP SPECIFICATION | |
|------------------------|---------------|
| Feature | Specification |
| Material | |
| Thickness | t= |
| Edge Face | t= |
| Surface Finish | |
| Colour Name | |

| END PANEL SPECIFICATION | |
|-------------------------|------------------|
| Feature | Specification |
| Material | Compact Laminate |
| Thickness | t=13mm |
| Edge Face | W=13mm |
| Surface Finish | Natural |
| Colour Name | |
| Colour Chart | CL Exterior |



SECTION B-B
(1 : 15)



| | | | |
|--|--|-----------------------|--|
| Title: Lifestyle Designer Series Outdoor Kitchen | | Approved: [Signature] | |
| Customer Name: Oran Park | | Date: | |
| Job Number: | | Date: | |
| ABM Representative: | | Date: | |
| Designed By: | | Date: | |
| Approved By: | | Date: | |

| | GEN. TOL | |
|------|----------|---------|
| | Linear | Angular |
| X | ± 1.0 | ± 2° |
| X.X | ± 0.6 | ± 1° |
| X.XX | ± 0.25 | ± 0.5° |

