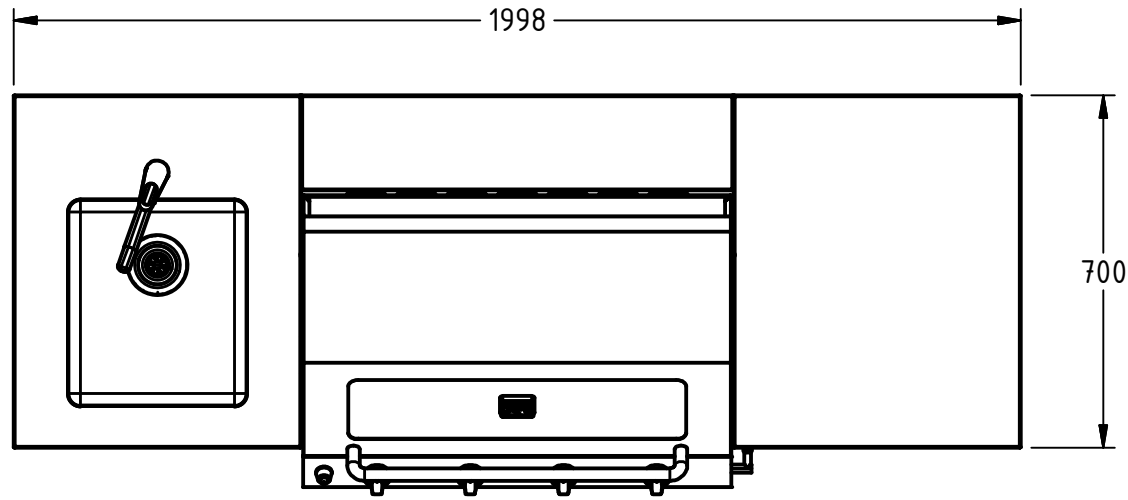
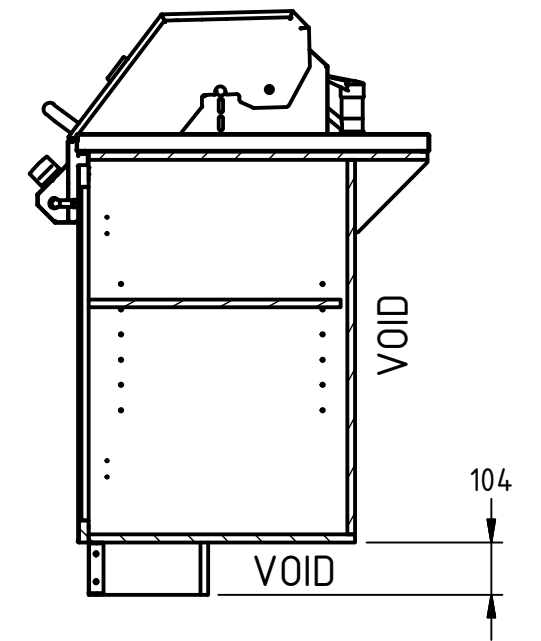
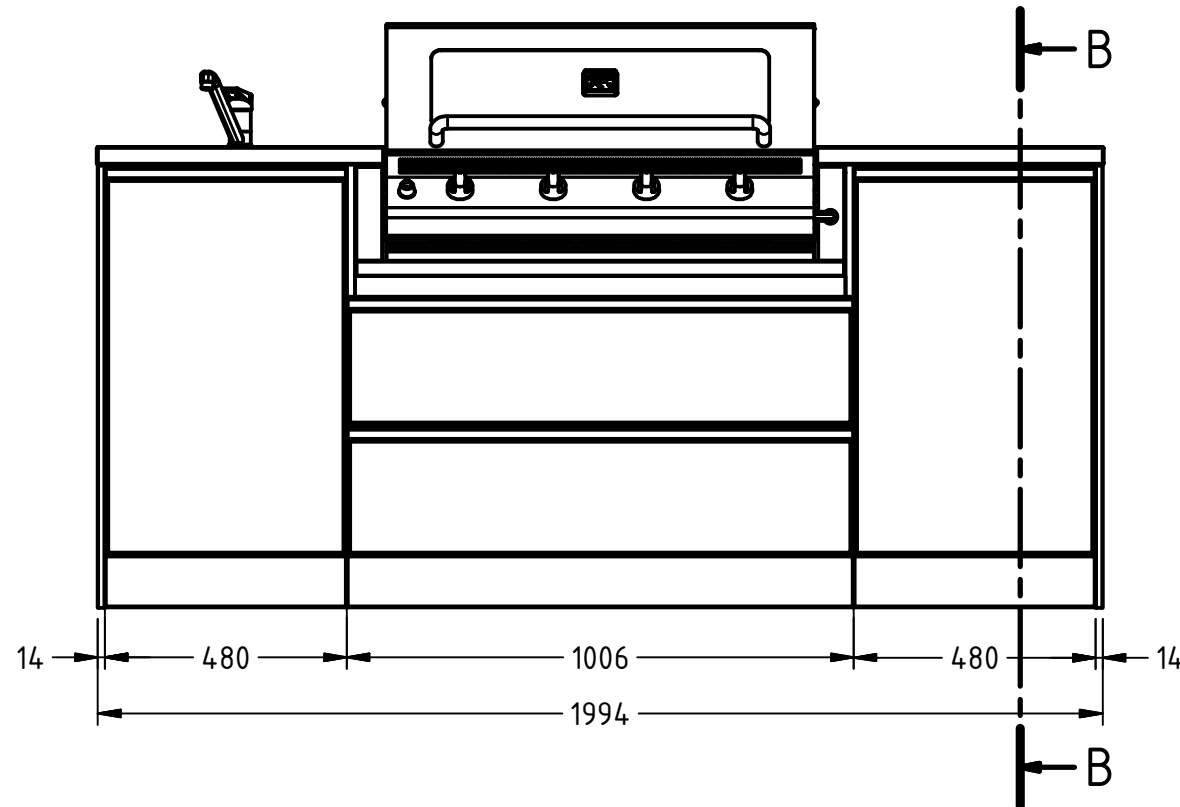
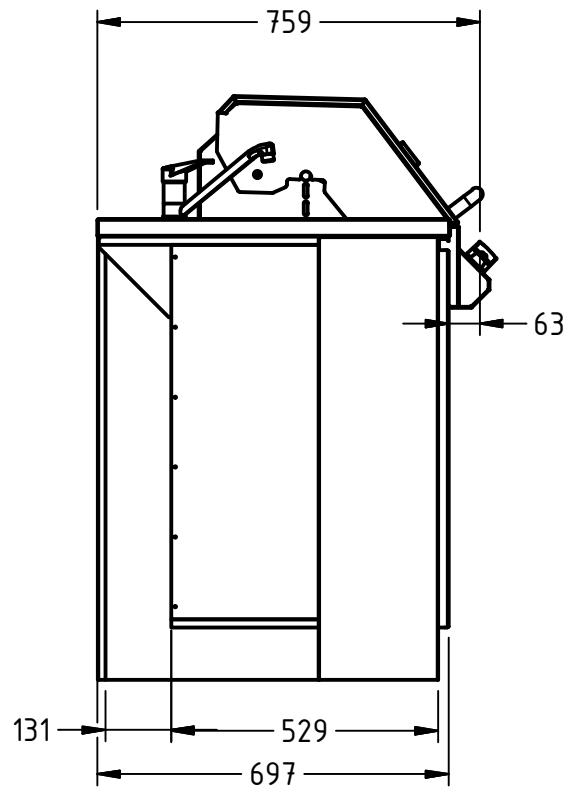


DOOR/DRAWER FRONT SPECIFICATION	
Feature	Specification
Material	AL/Glass
Thickness	D=21mm
Glass Profile	RIBBONED
Surface	Painted (Inside)
Colour Name	"NEPTUNE ICE"
Colour Chart	Evic (metallic)



BENCHTOP SPECIFICATION	
Feature	Specification
Material	Stainless Steel
Thickness	t=32mm
Edge Face	H=32mm
Surface Finish	#4 Polished
Colour Name	Natural

END PANEL SPECIFICATION	
Feature	Specification
Material	Stainless Steel
Thickness	T=14mm
Edge Face	W=14mm
Surface Finish	#4



	GEN. TOL	
	Linear	Angular
X	± 1.0	± 2°
X.X	± 0.6	± 1°
X.XX	± 0.25	± 0.5°

Title:	Lifestyle Modular Designer Series Outdoor Kitchen		
Customer Name:	Oyster Bay	Approved:	[Signature]
Job Number:		Date:	
ABM Representative:		Date:	
Designed By:		Date:	
Approved By:		Date:	

