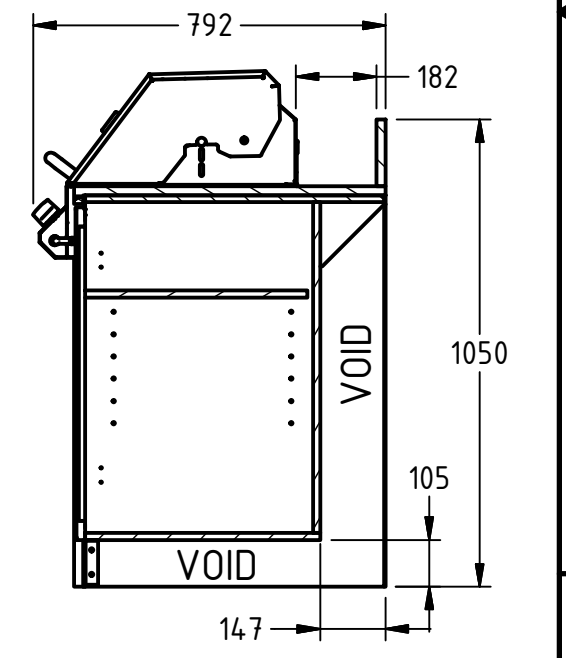
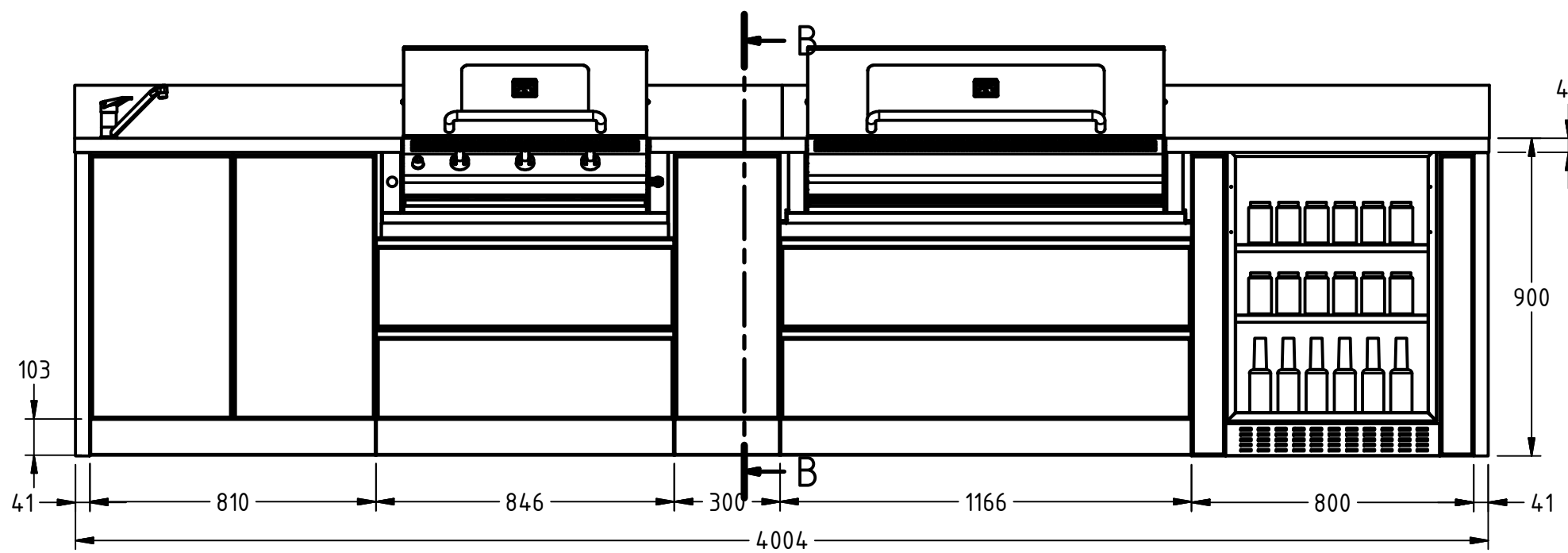
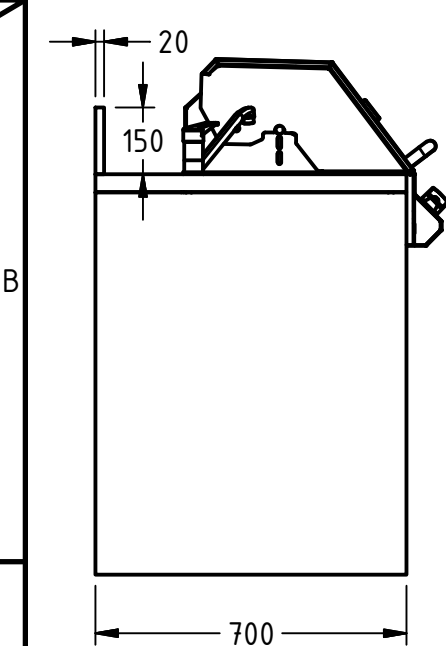


BENCHTOP SPECIFICATION	
Feature	Specification
Material	Quantum Quartz
Thickness	t=20mm
Edge Face	H=20mm
Surface Finish	Polished
Colour Name	"Luna White"

END PANEL SPECIFICATION	
Feature	Specification
Material	Quantum Quartz
Thickness	t=20mm
Edge Face	W=20mm
Surface Finish	Polished
Colour Name	"Luna White"

DOOR/DRAWER FRONT SPECIFICATION	
Feature	Specification
Material	Al/Glass
Thickness	t=21mm
Surface	PLAIN
Colour Name	"Woodland Grey"
Colour Chart	Clorbond



SECTION B-B (1 : 17)

Title: Lifestyle Modular "Designer Series"l Outdoor Kitchen		Approved: [Signature]	
Customer Name: Queenscliff		Date:	
Job Number:		Date:	
ABM Representative:		Date:	
Designed By:		Date:	
Approved By:		Date:	

	GEN. TOL	
	Linear	Angular
X	± 1.0	± 2°
X.X	± 0.6	± 1°
X.XX	± 0.25	± 0.5°

