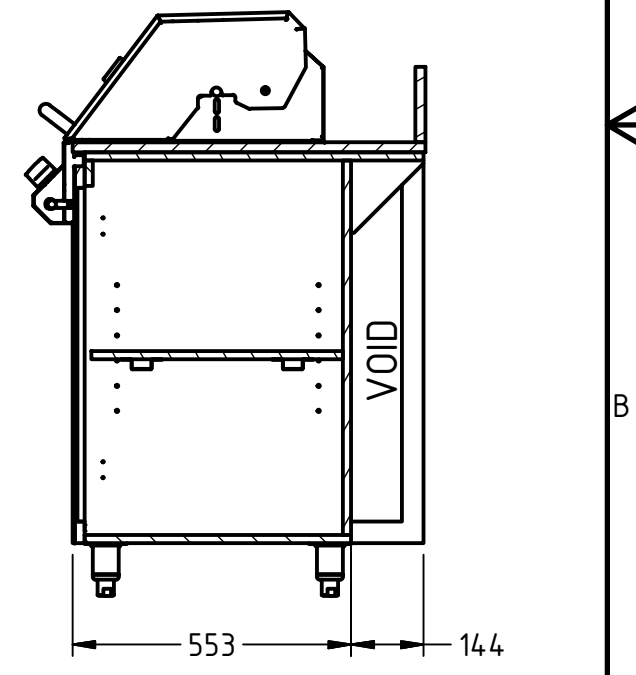
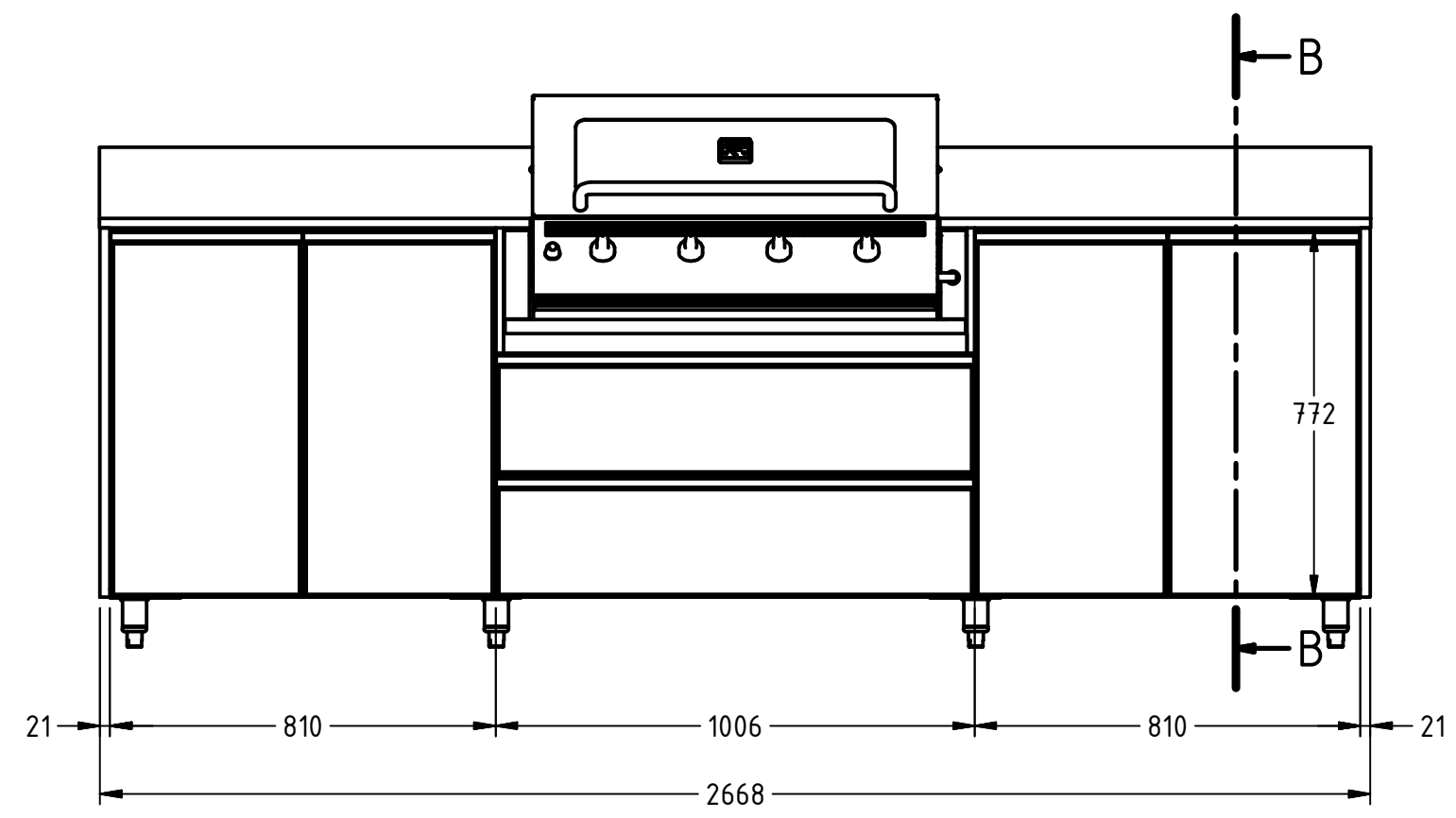
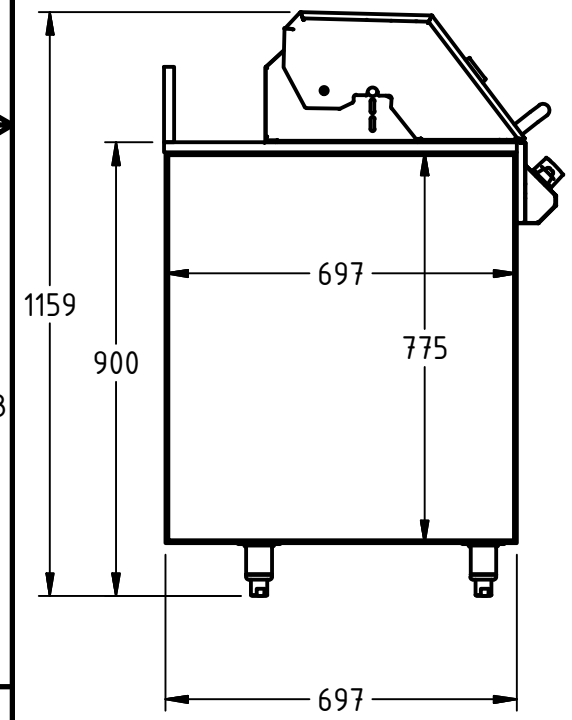
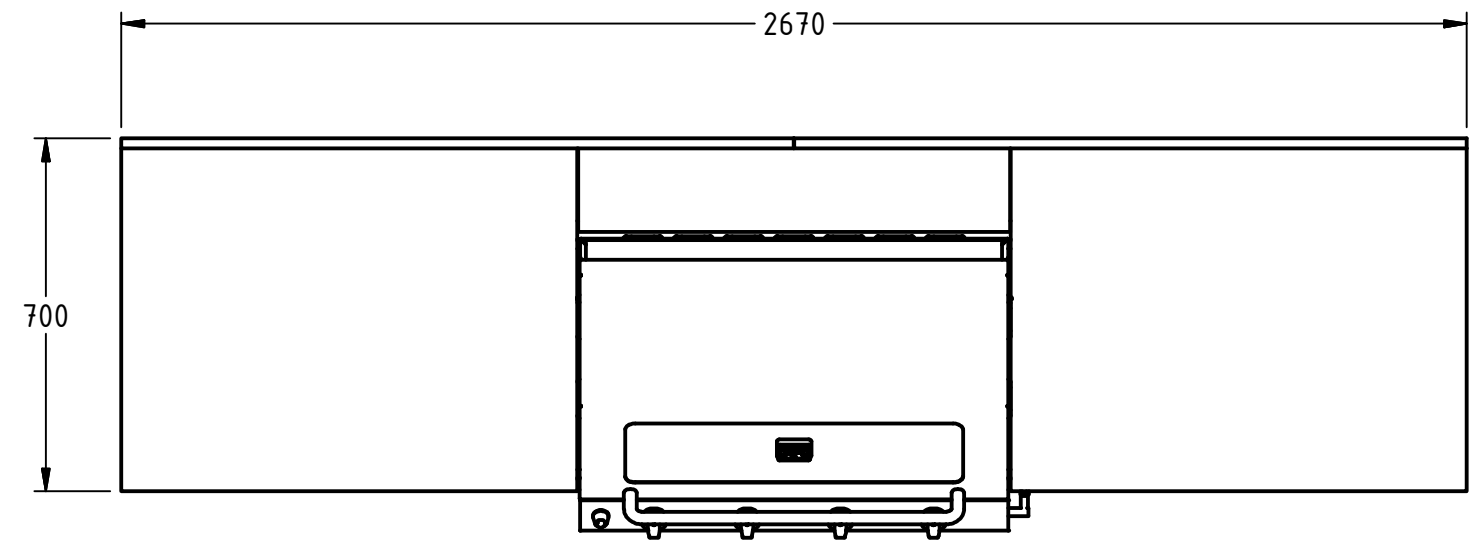


DOOR/DRAWER FRONT SPECIFICATION	
Feature	Specification
Material	AL/Glass
Thickness	D=21mm
Glass Profile	PLAIN
Surface	Painted (Inside)
Colour Name	"WoodLand Gery"
Colour Chart	Colorbond

BENCHTOP SPECIFICATION	
Feature	Specification
Material	Quantum Quartz
Thickness	T=20mm
Edge Face	H=20mm
Surface Finish	Polished
Colour Name	"Storm"

END PANEL SPECIFICATION	
Feature	Specification
Material	Alum/Glass
Thickness	T=21mm
Edge Face	W=13mm
Surface Finish	PLAIN
Colour Name	"Woodland Grey"
Colour Chart	Colorbond



SECTION B-B
(1 : 15)

Title: Lifestyle Modular Stainless Steel Outdoor Kitchen		Approved: [Signature]	
Customer Name: Richmond		Date:	
Job Number:		Date:	
ABM Representative:		Date:	
Designed By:		Date:	
Approved By:		Date:	

	GEN. TOL	
	Linear	Angular
X	± 1.0	± 2°
X.X	± 0.6	± 1°
X.XX	± 0.25	± 0.5°

