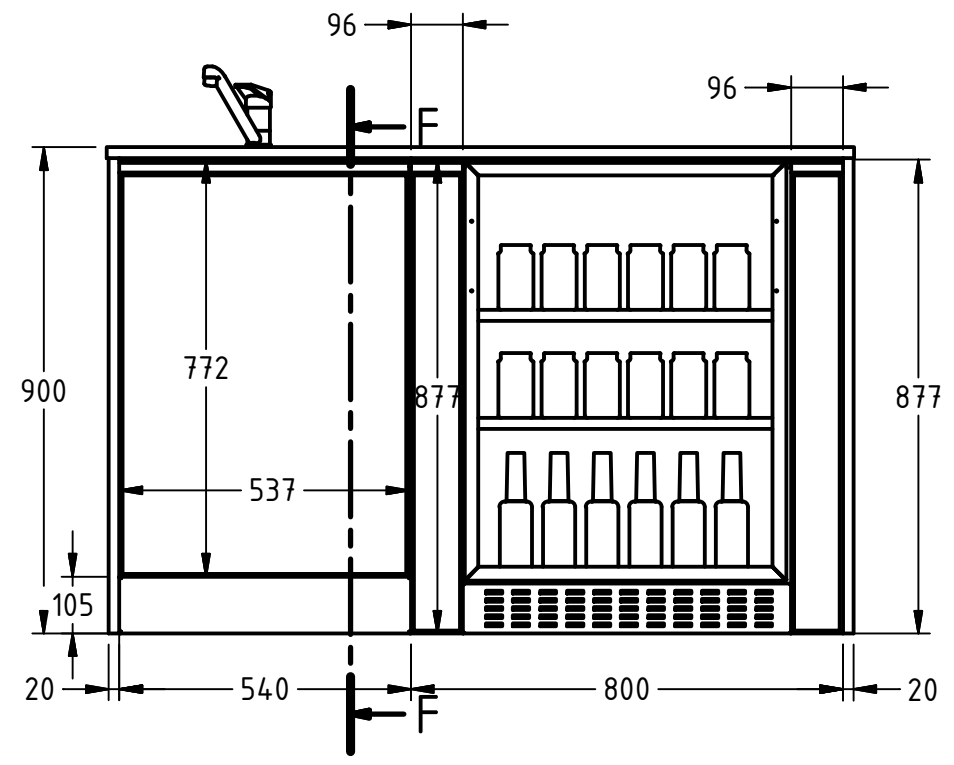
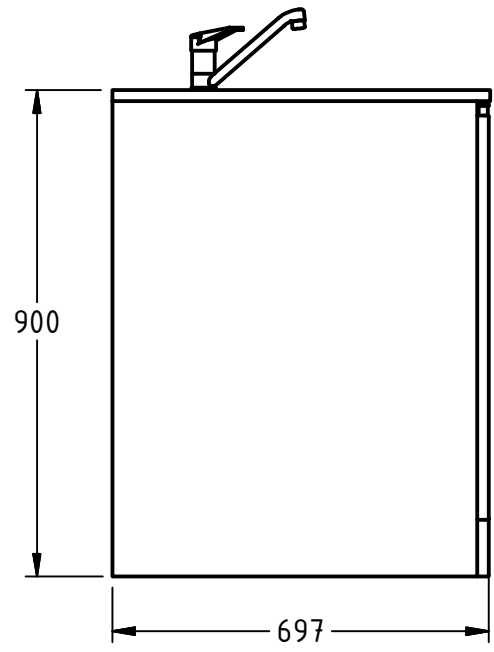
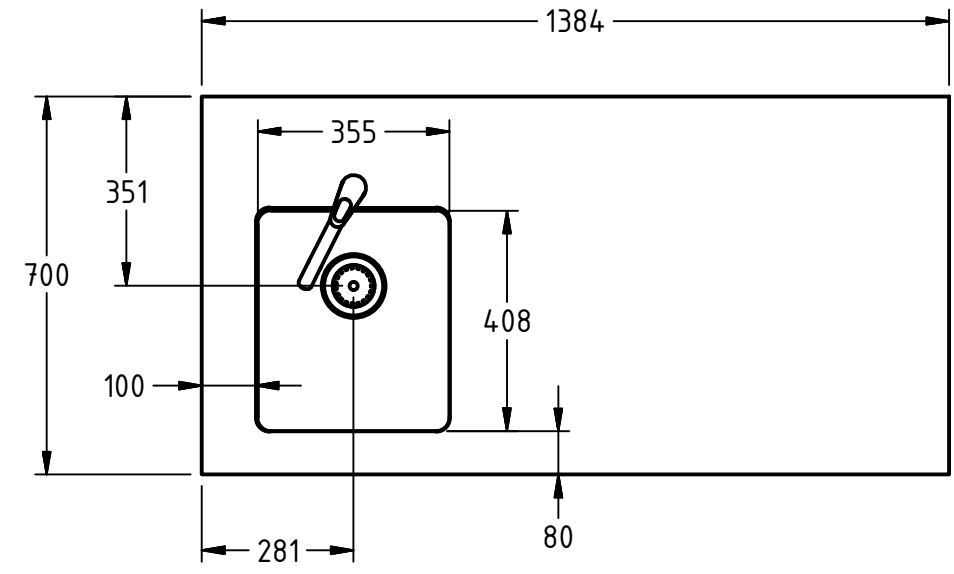


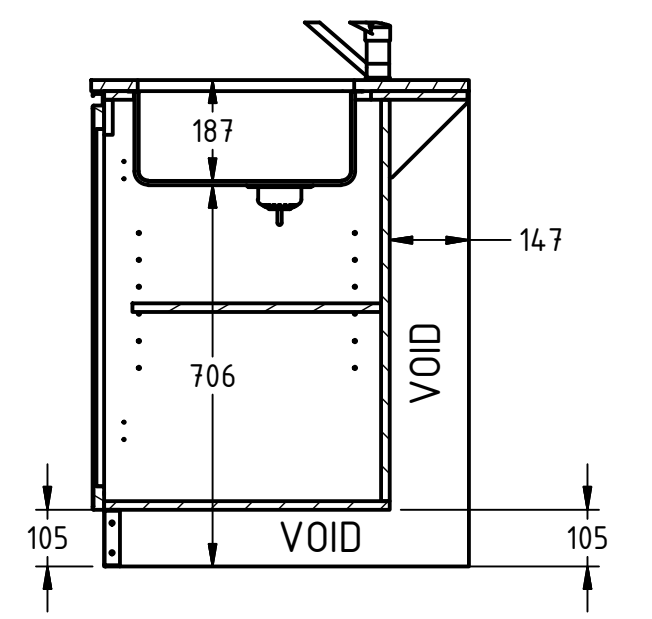
BENCHTOP SPECIFICATION	
Feature	Specification
Material	Quantum Quartz
Thickness	t=20mm
Edge Face	H=20mm
Surface Finish	Polished
Colour Name	"LUNA WHITE"

DOOR/DRAWER FRONT SPECIFICATION	
Feature	Specification
Material	Al/GLass
Thickness	D=21mm
Glass Profile	PLAIN
Surface	Painted (Inside)
Colour Name	"WAYWARD GREY"
Colour Chart	Dulux

END PANEL SPECIFICATION	
Feature	Specification
Material	Quantum Quartz
Thickness	t=20mm
Edge Face	W=20mm
Surface Finish	Polished
Colour Name	"LUNA WHITE"



SECTION F-F (1 : 14)



Title:		Lifestyle Modular Stainless Steel Outdoor Kitchen	
Customer Name:		Roseville	Approved: [Signature]
Job Number:			Date:
ABM Representative:			Date:
Designed By:			Date:
Approved By:			Date:

	GEN. TOL	
	Linear	Angular
X	± 1.0	± 2°
X.X	± 0.6	± 1°
X.XX	± 0.25	± 0.5°

