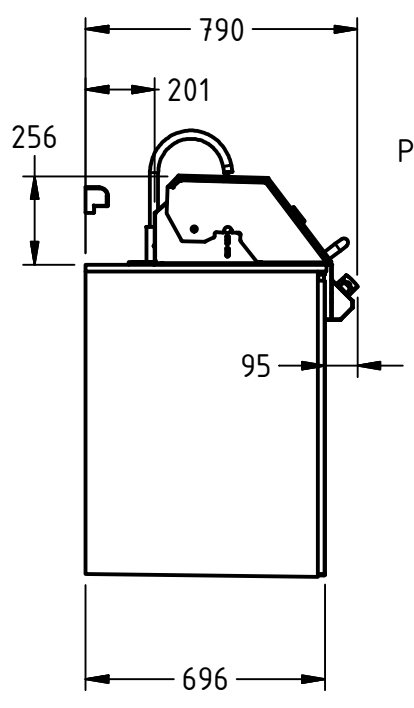
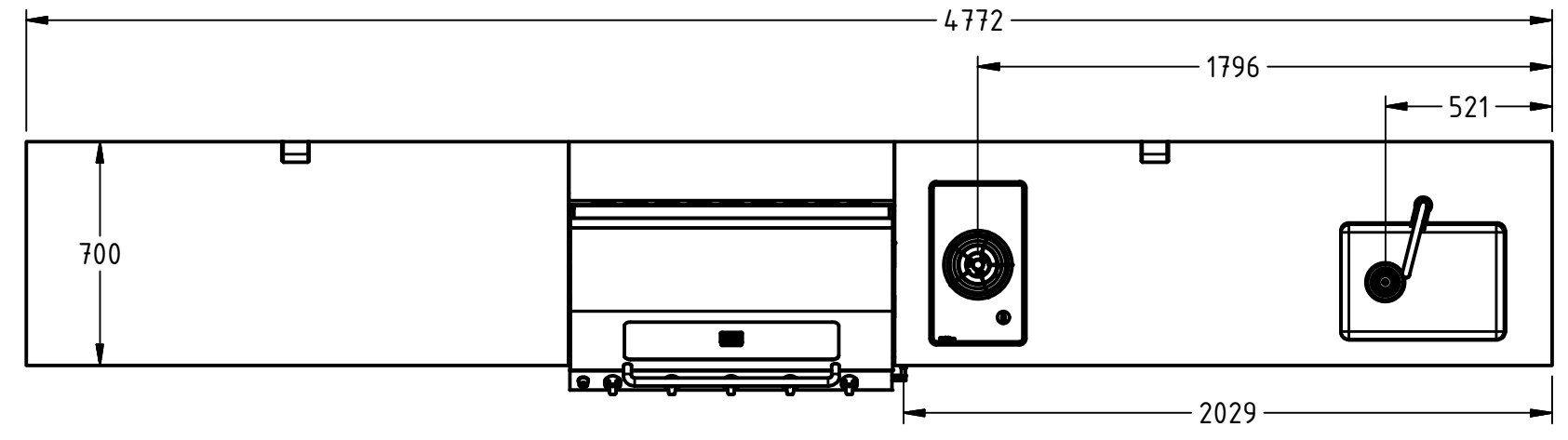


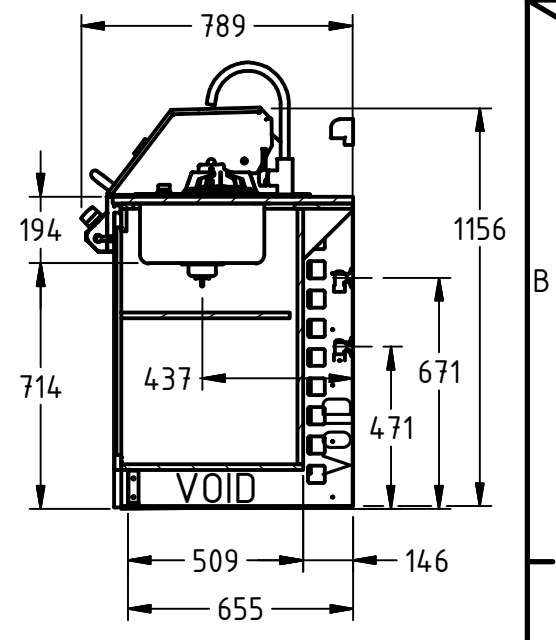
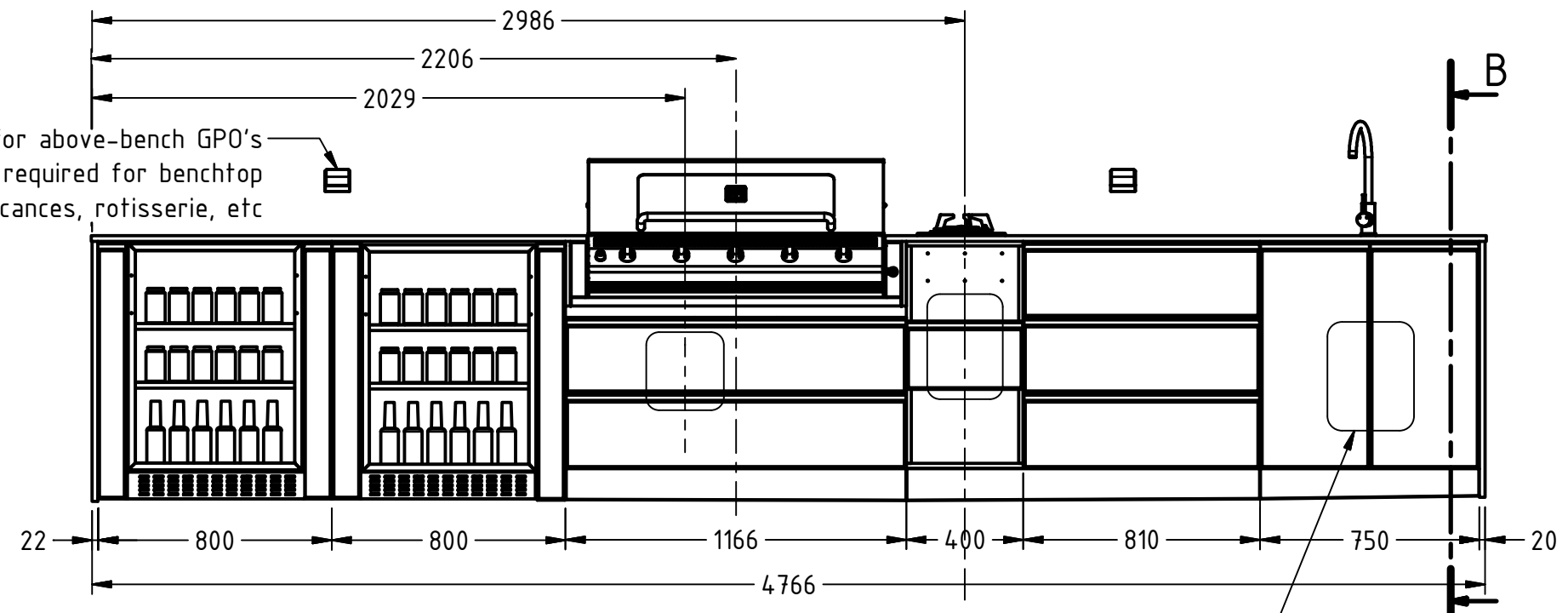
BENCHTOP SPECIFICATION	
Feature	Specification
Material	Quantum Quartz
Thickness	t=20mm
Edge Face	H=-20mm
Surface Finish	Polished
Colour Name	"WHITE SWIRL"

DOOR/DRAWER FRONT SPECIFICATION	
Feature	Specification
Material	Al/6mm Glass
Thickness	21mm
Surface	Painted (inside)
Glass Profile	Ribbed
Colour Name	"GOTHAM" (Metallic)
Colour Chart	Dulux

END PANEL SPECIFICATION	
Feature	Specification
Material	Compact Laminate
Thickness	t=13mm
Edge Face	W=13mm
Colour Name	"MORTAR"
Colour Chart	LnX CL Exterior



Provide for above-bench GPO's as required for benchtop appliances, rotisserie, etc



8. Hatch for hot/cold water and waste

SECTION B-B (1 : 22)

Title: Lifestyle Modular "Designer Series"l Outdoor Kitchen		Approved: [Signature]	
Customer Name: Warrawee		Date:	
Job Number:		Date:	
ABM Representative:		Date:	
Designed By:		Date:	
Approved By:		Date:	

	GEN. TOL	
	Linear	Angular
X	± 1.0	± 2°
X.X	± 0.6	± 1°
X.XX	± 0.25	± 0.5°

