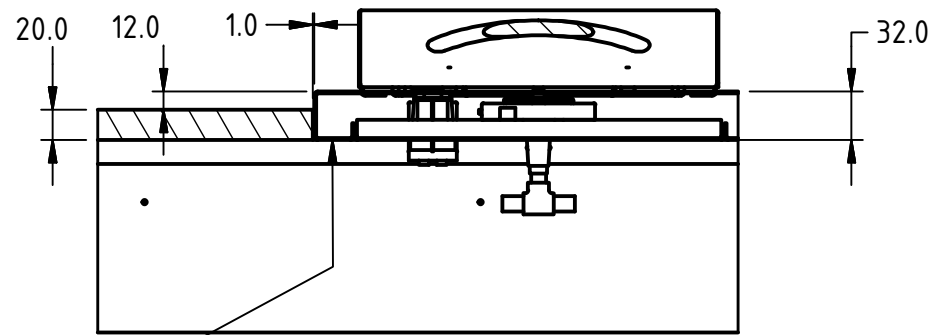
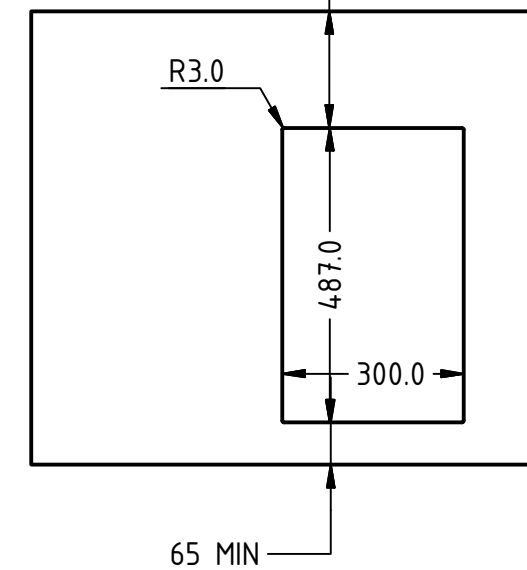


SIDE BURNER, Built-in. Item Code: SB KIT-4

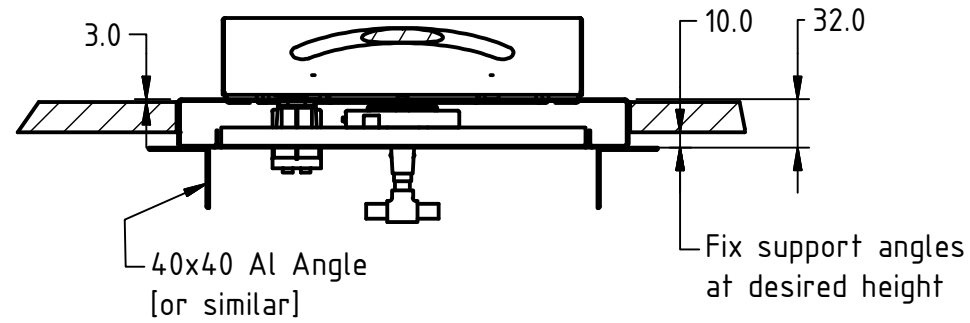
Lifestyle Side Burners are easily built in. No special brackets are required. Make the rectangular cut-out in the benchtop to correct size as shown. Support Side Burner from below at any height above or flush with surrounding benchtop surface. [Examples shown with 20mm Stone Benchtops]

Cut-out Size

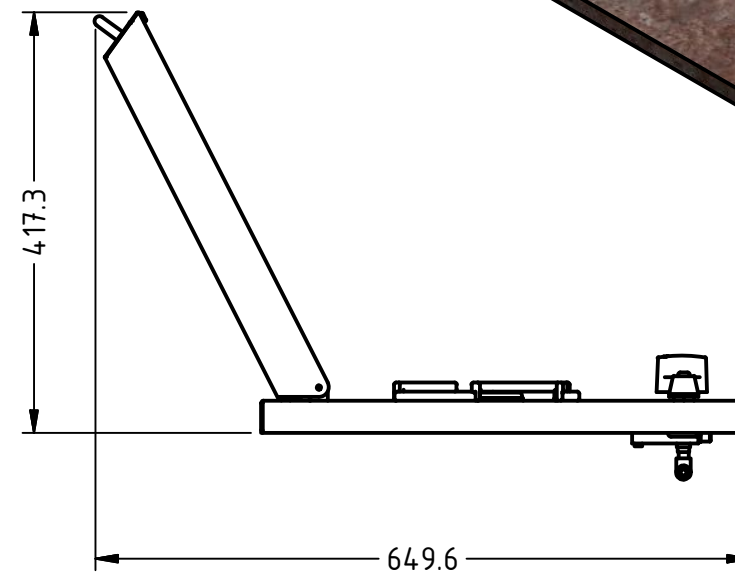
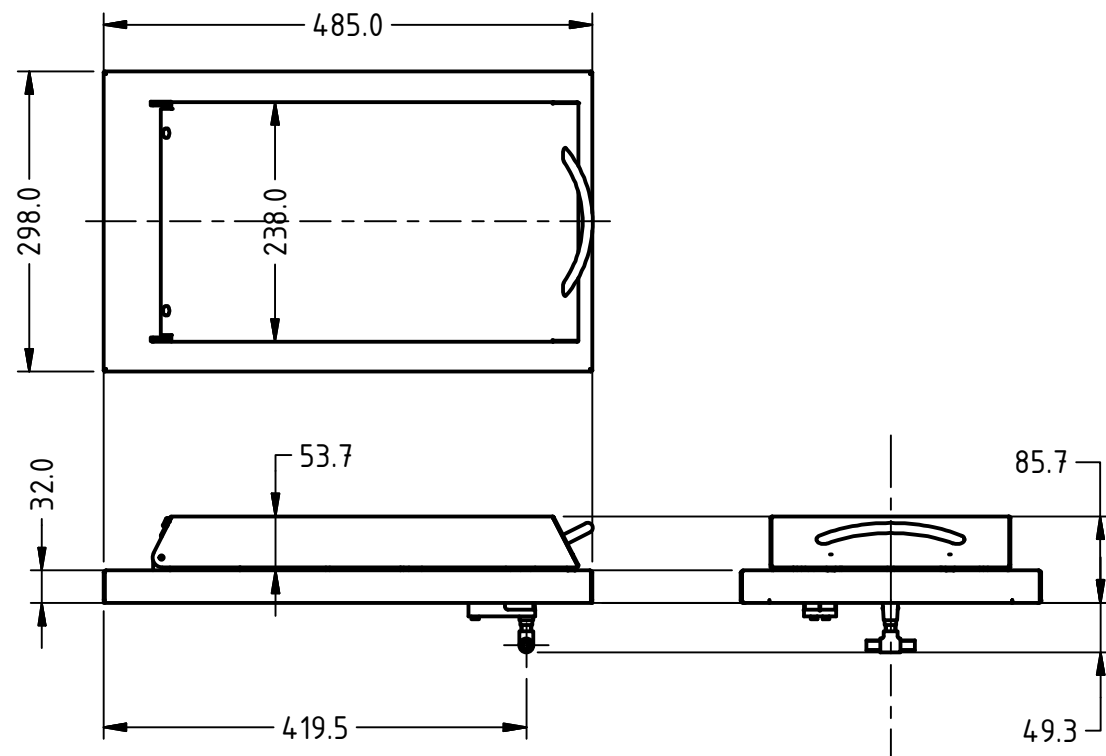
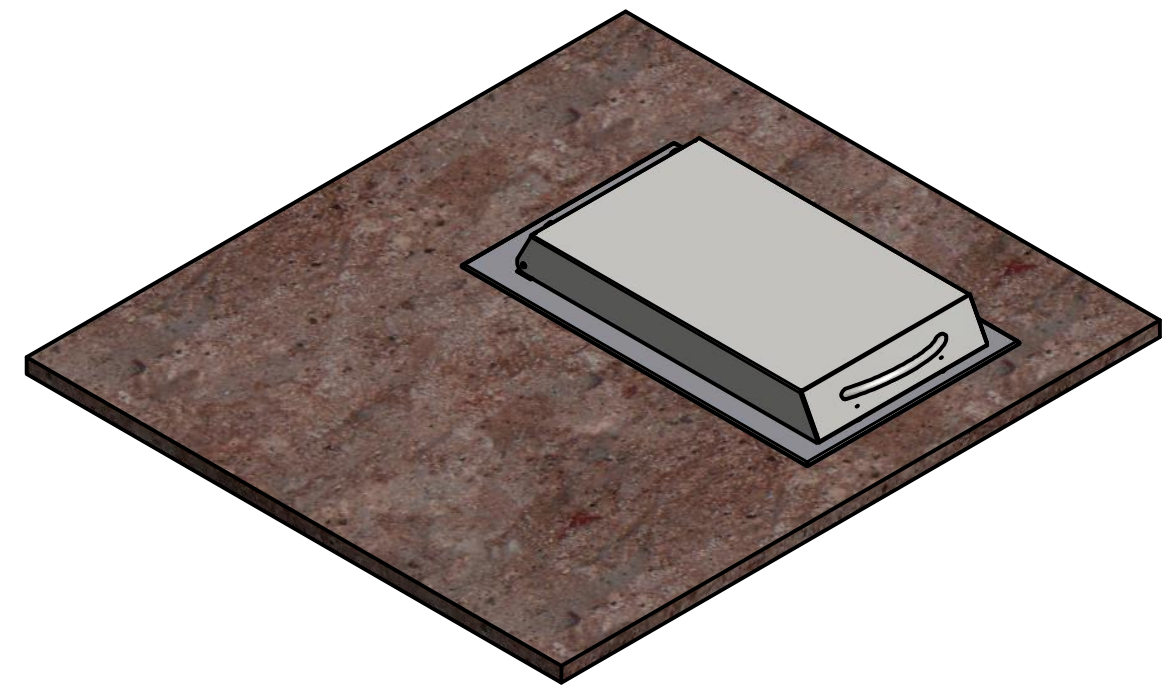
Min 195mm set forward of any wall at rear to permit lid to open fully.



'CABINET MOUNT with 20mm STONE'
Support from top panel of
of underlying cabinet



'FLUSH MOUNT'
Support from below at a height that
permits Side Burner to be flush with,
or 3mm 'proud' of surrounding Benchtop



IMPORTANT:

1. Specify fuel supply: Nat Gas / LPG portable cylinder / LPG 40kg cylinder
2. For trouble free installation deliver SB KIT-4 to your stonemason before cutting stone benchtop.