
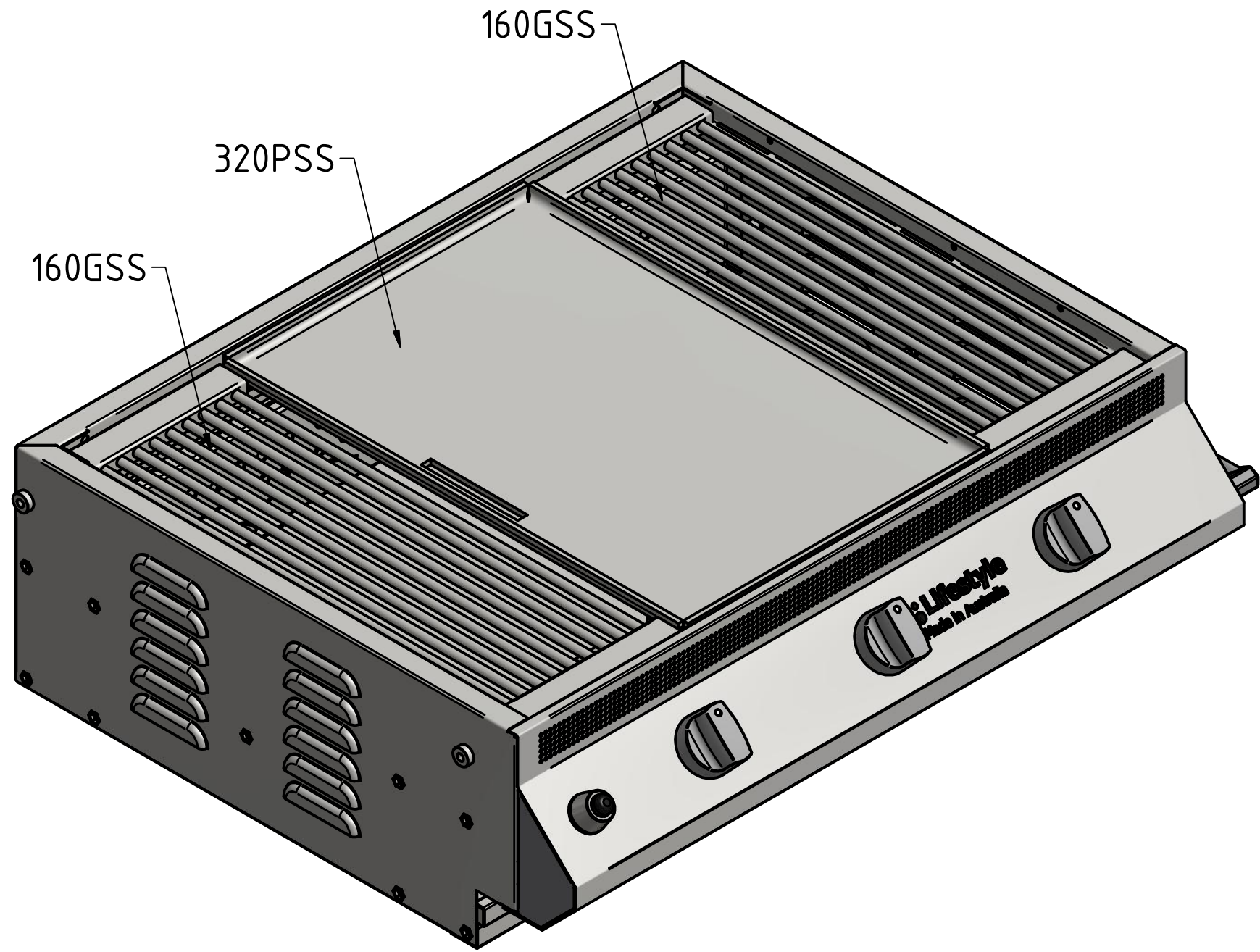


OPTION A
1 X 320mm PLATE
1 X 320mm GRILL

	GEN. TOL	
	Linear	Angular
X	± 1.0	± 2°
X.X	± 0.6	± 1°
X.XX	± 0.25	± 0.5°

Title:	3B BPI TDS			Approved:	[Signature]
Applicable:	All 3 Burner Lifestyle Barbeque Owners			Date:	
Alternative:	Option A			Date:	
ABM Representative:		Date:			
Designed By:		Date:			
Approved By:		Date:			



OPTION B
1 X 320mm PLATE
2 X 160mm GRILLS

	GEN. TOL	
	Linear	Angular
X	± 1.0	± 2°
X.X	± 0.6	± 1°
X.XX	± 0.25	± 0.5°

Title:	3B BPI TDS			Approved:	[Signature]
Applicable:	All 3 Burner Lifestyle Barbeque Owners			Date:	
Alternative:	OPTION B			Date:	
ABM Representative:		Date:			
Designed By:		Date:			
Approved By:		Date:			

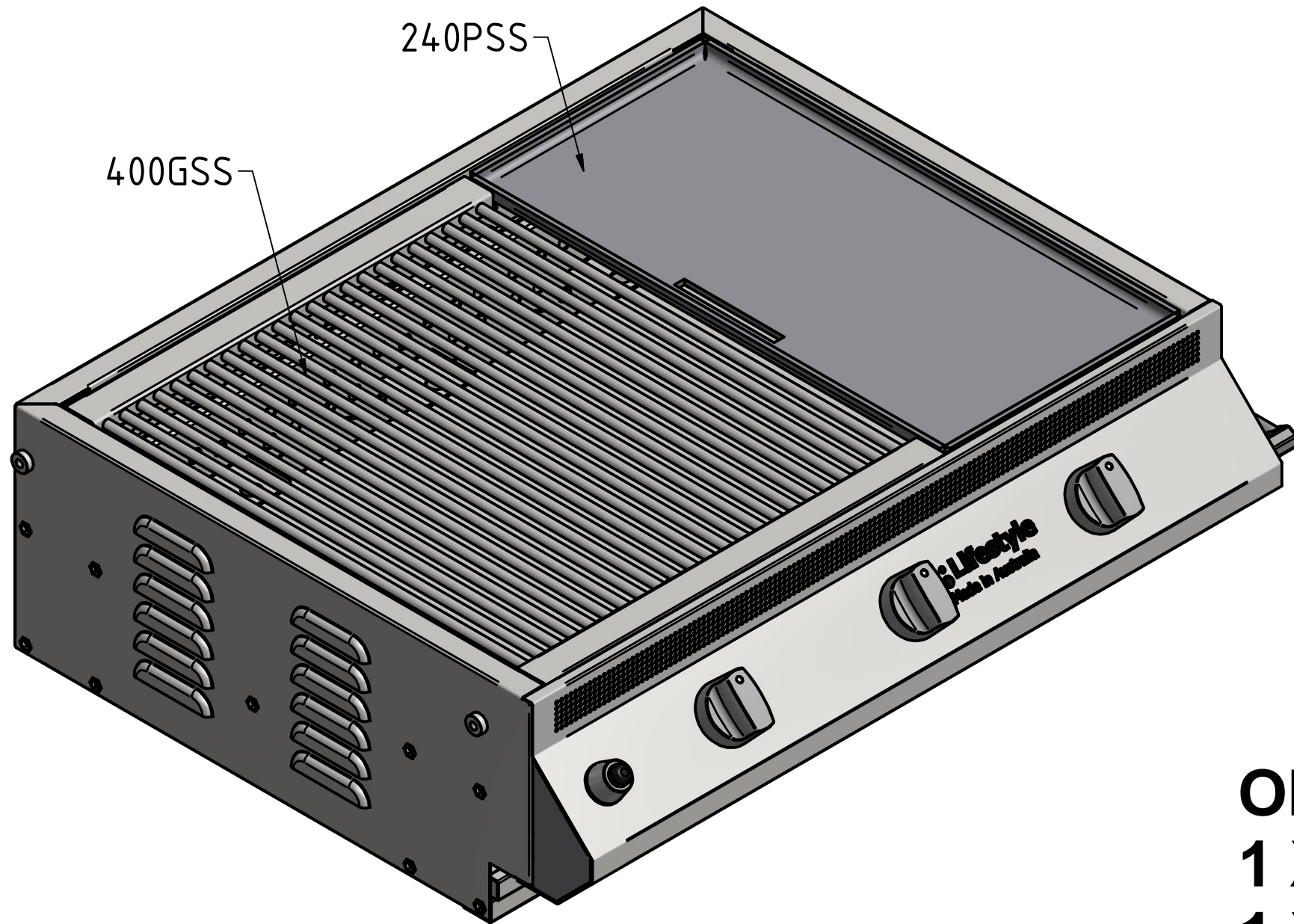


OPTION C
1 X 400mm PLATE
2 X 240mm GRILLS

	GEN. TOL	
	Linear	Angular
X	± 1.0	± 2°
X.X	± 0.6	± 1°
X.XX	± 0.25	± 0.5°


Title:	3B BPI TDS		
Applicable:	All 3 Burner Lifestyle Barbeque Owners	Approved:	[Signature]
Alternative:	OPTION C	Date:	
ABM Representative:		Date:	
Designed By:		Date:	
Approved By:		Date:	





OPTION D
1 X 240mm PLATE
1 X 400mm GRILL

	GEN. TOL	
	Linear	Angular
X	± 1.0	± 2°
X.X	± 0.6	± 1°
X.XX	± 0.25	± 0.5°

Title:	3B BPI TDS			Approved:	[Signature]
Applicable:	All 3 Burner Lifestyle Barbeque Owners			Date:	
Alternative:	OPTION D			Date:	
ABM Representative:		Date:			
Designed By:		Date:			
Approved By:		Date:			