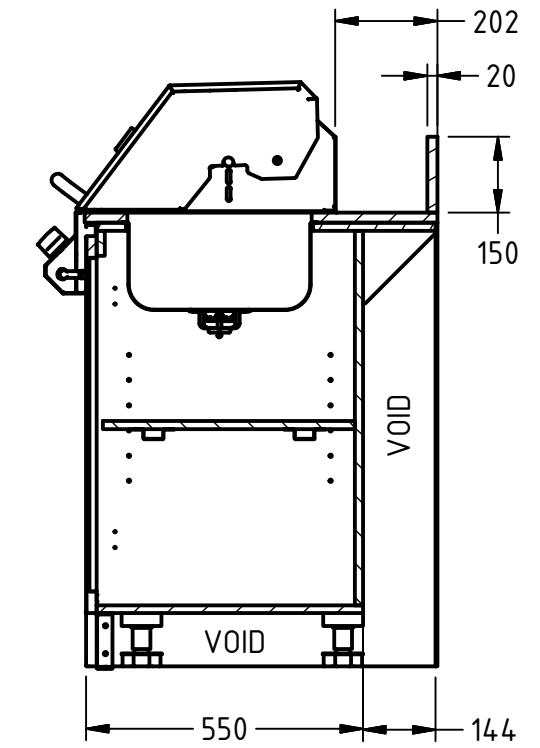
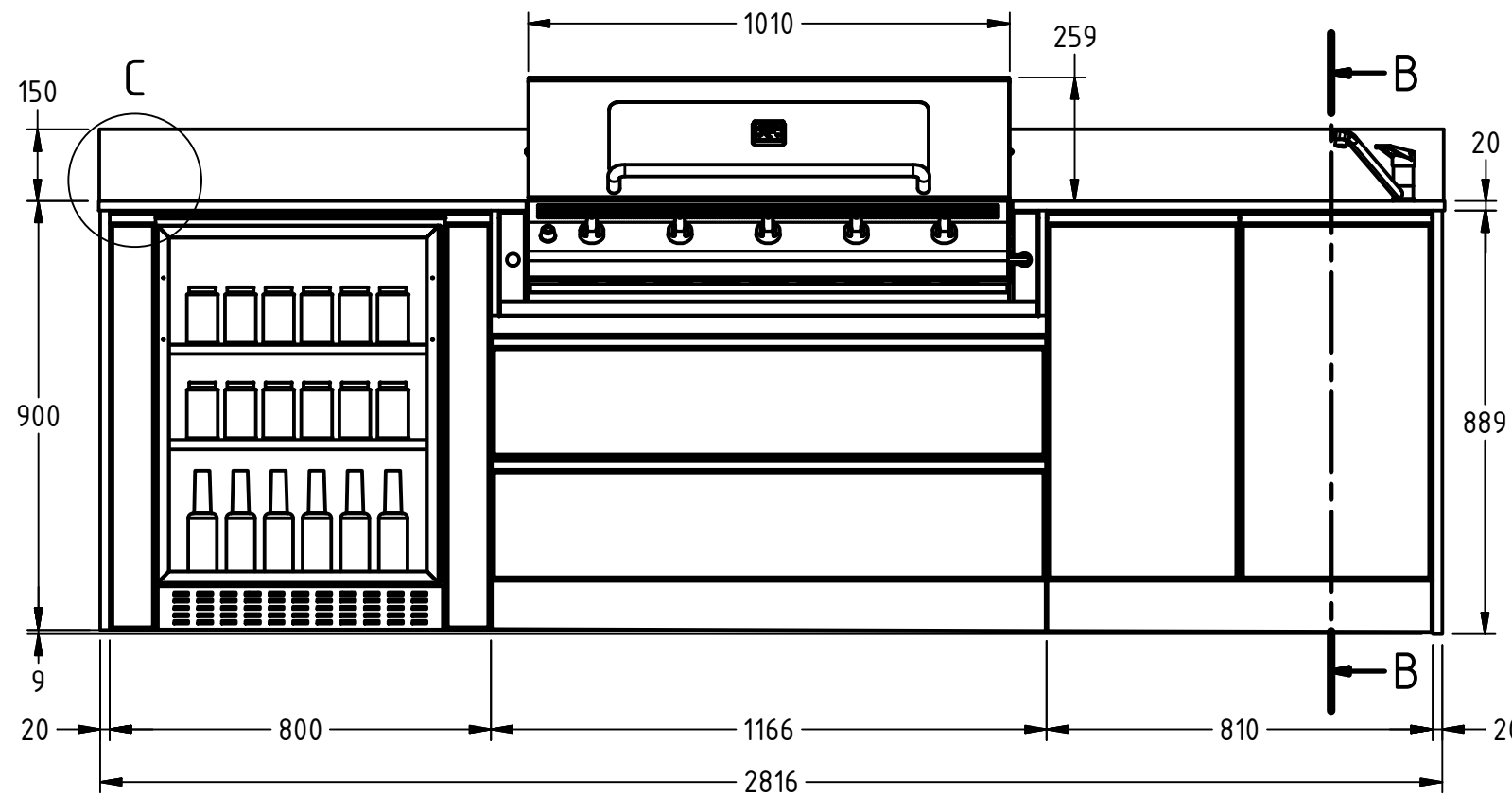
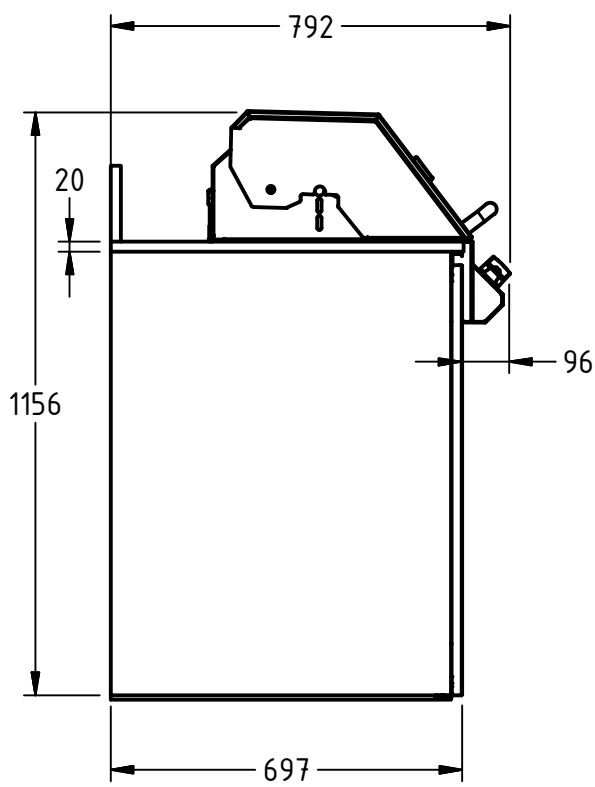


DETAIL C (1:4)



SECTION B-B (1:15)

NOTE: Approx 9mm fall LHS to RHS over total Width of ODK

	GEN. TOL	
	Linear	Angular
X	± 1.0	± 2°
X.X	± 0.6	± 1°
X.XX	± 0.25	± 0.5°

Title: Lifestyle Modular "DESIGNER SERIES" Outdoor Kitchen		Approved: [Signature]	
Customer Name: "Castlecrag"		Date:	
Job Number:		Date:	
ABM Representative:		Date:	
Designed By:		Date:	
Approved By:		Date:	

