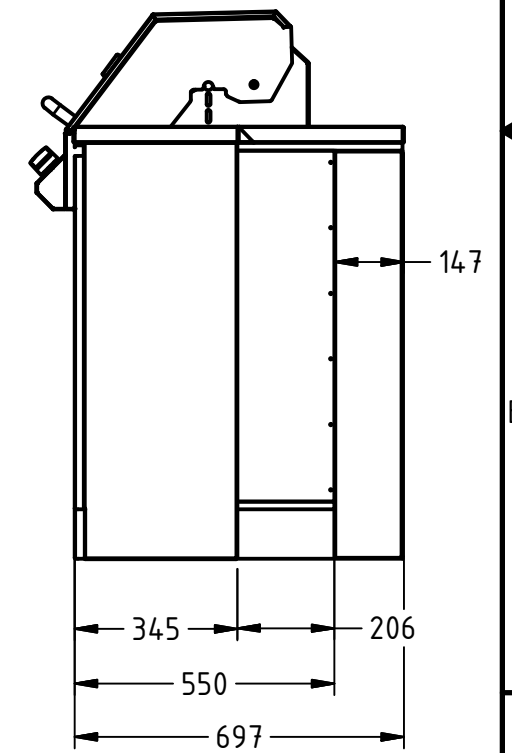
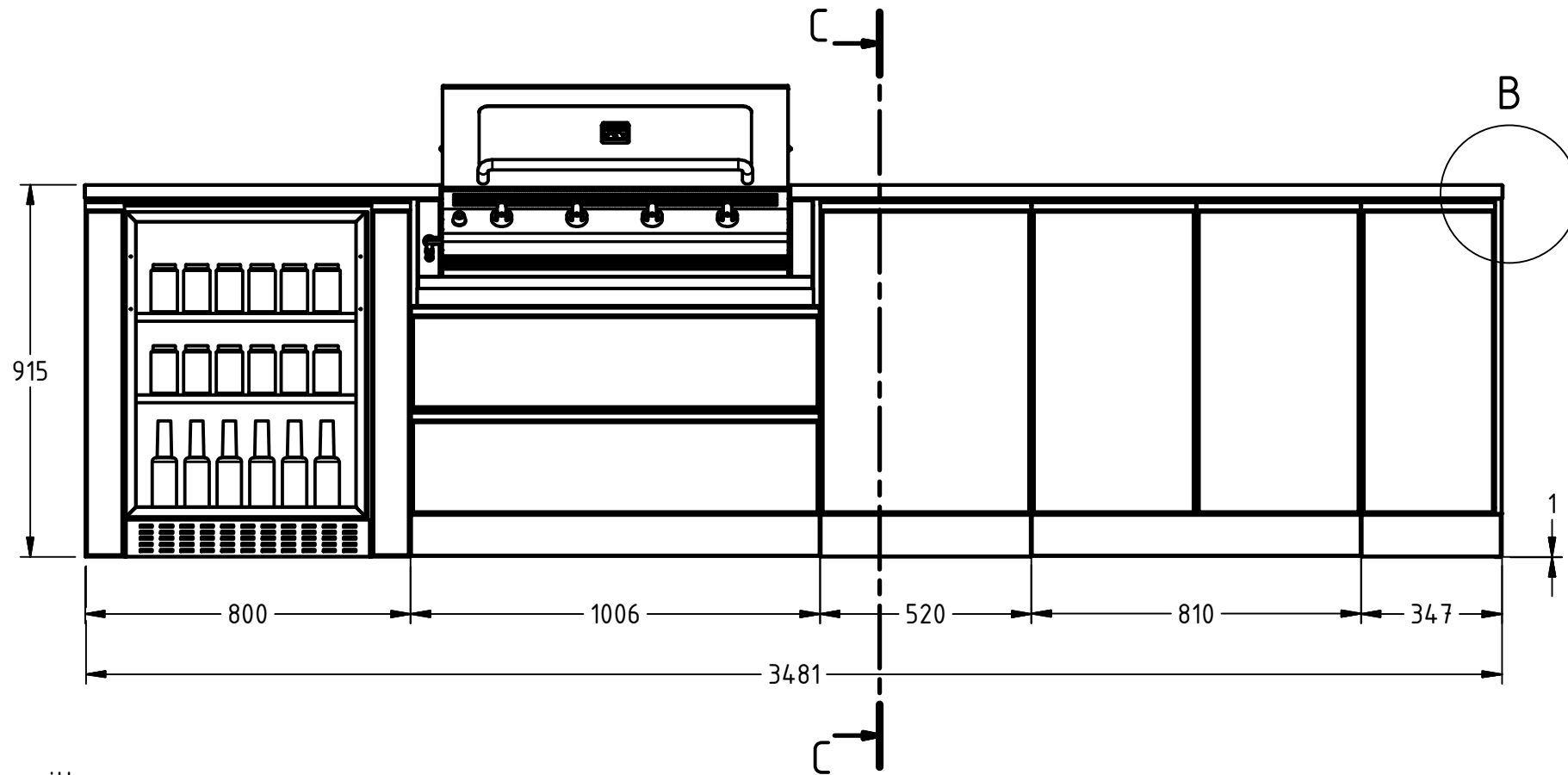
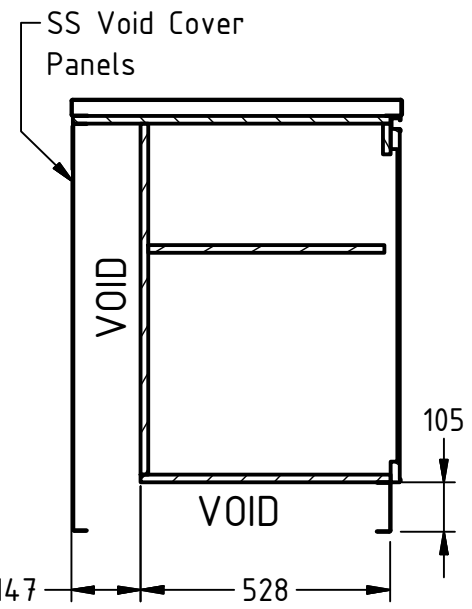


SECTION C-C
(1 : 16)



#4 304SS

NOTE: Levels measured before tiling with Travertine tiles. "REV0" drawings assume finished, tiled surface will conform to slope identical with underlying concrete slab at time of site inspection, 15/08/2016

Title: Lifestyle Designer Series Outdoor Kitchen		Approved: [Signature]	
Customer Name: "Margaret River"		Date:	
Job Number:		Date:	
ABM Representative:		Date:	
Designed By:		Date:	
Approved By:		Date:	

REVISION HISTORY		
REV	REASON FOR CHANGES	DATE
0	Initial released	09/02/2016

	GEN. TOL	
	Linear	Angular
X	± 1.0	± 2°
X.X	± 0.6	± 1°
X.XX	± 0.25	± 0.5°

