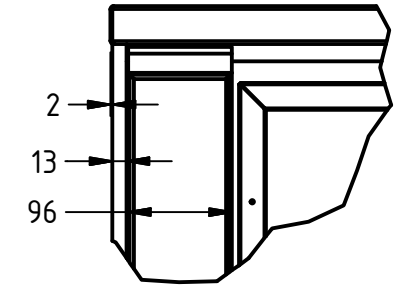
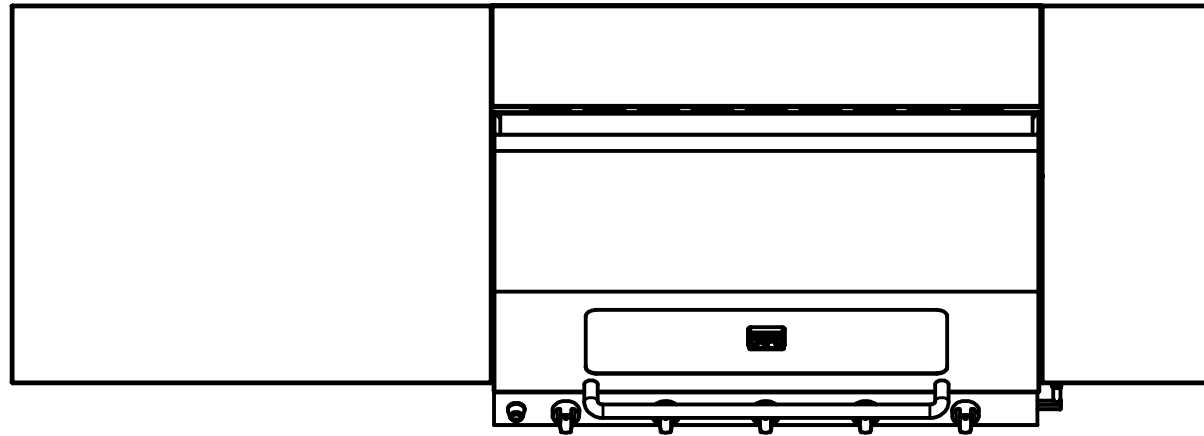
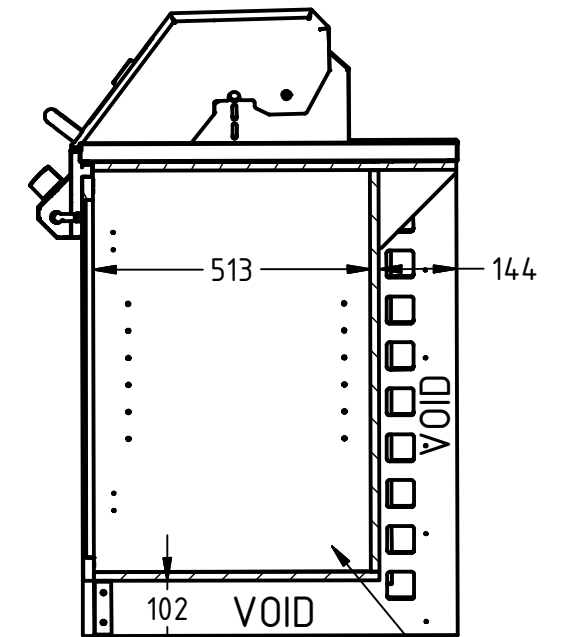
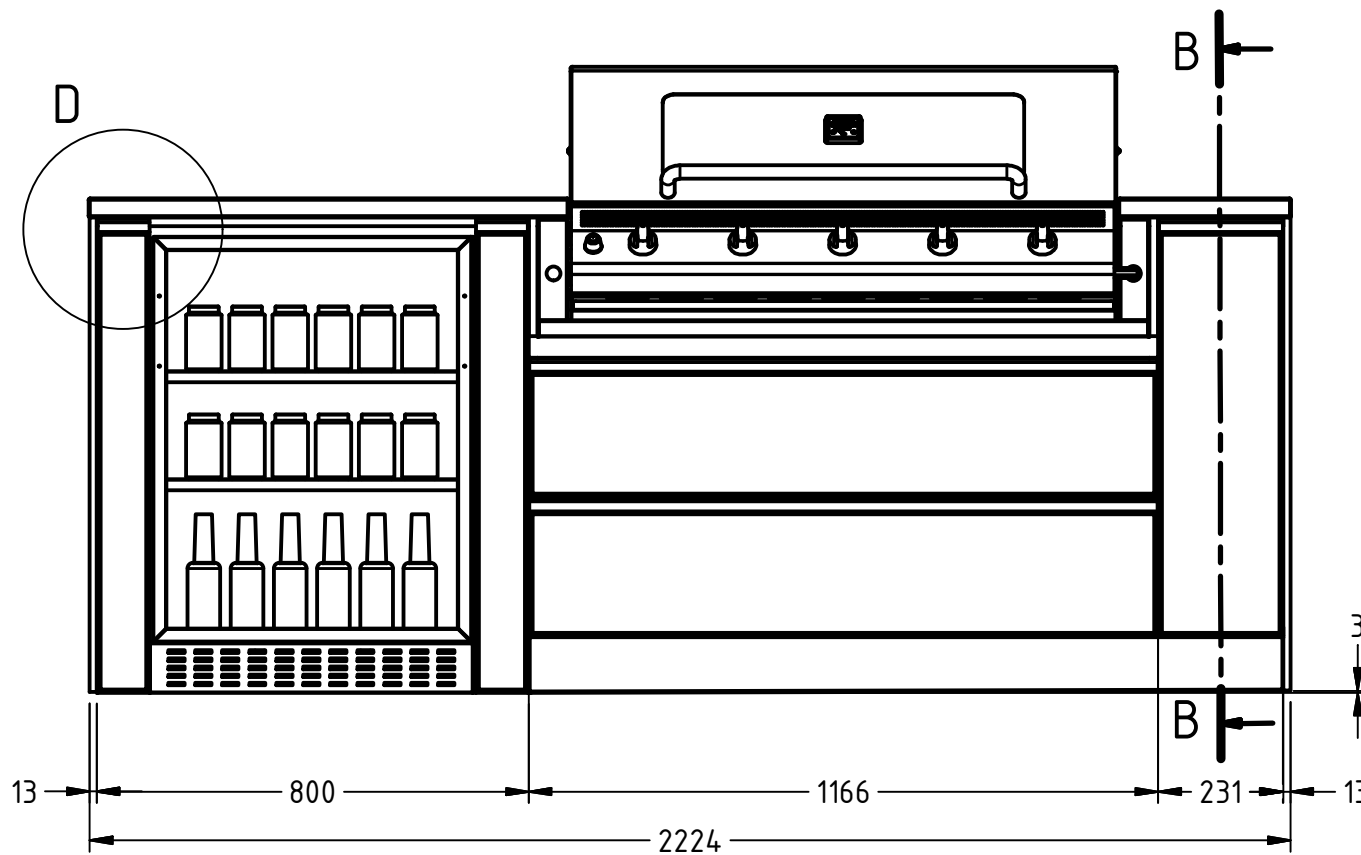
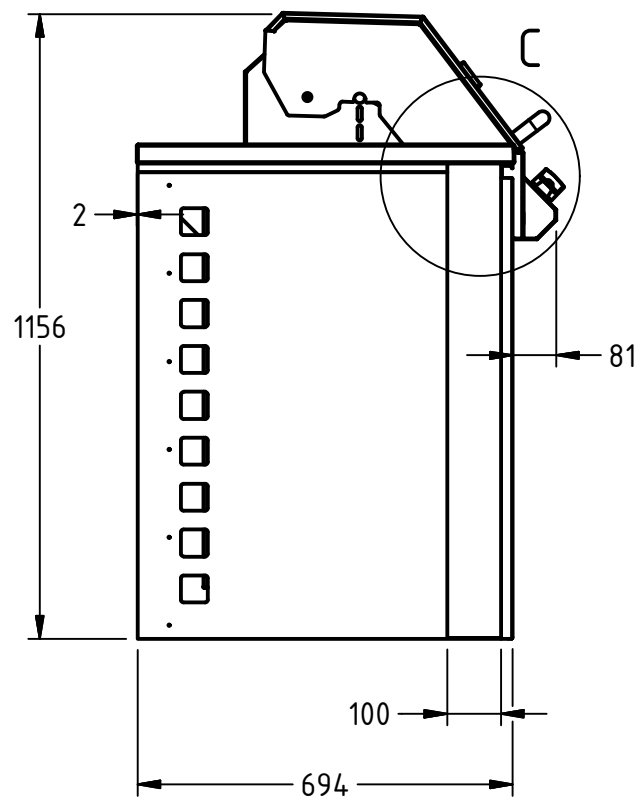


DETAIL C ( 1 : 7 )



DETAIL D ( 1 : 7 )

SECTION B-B  
( 1 : 14 )



Notch around position of existing  
Nat Gas bayonet to allow hose  
connection and disconnection  
within 1B Cabinet

FALL: 3.5mm/1200mm from  
RHS (W=0mm) to LHS (W=1200mm)

REVISION HISTORY		
REV	REASON FOR CHANGES	DATE
0	Initial released	

	GEN. TOL	
	Linear	Angular
X	± 1.0	± 2°
X.X	± 0.6	± 1°
X.XX	± 0.25	± 0.5°

Title: Lifestyle Designer Series Outdoor Kitchen		Approved: [Signature]	
Customer Name: "Warrawee"		Date:	
Job Number:		Date:	
ABM Representative:		Date:	
Designed By:		Date:	
Approved By:		Date:	

