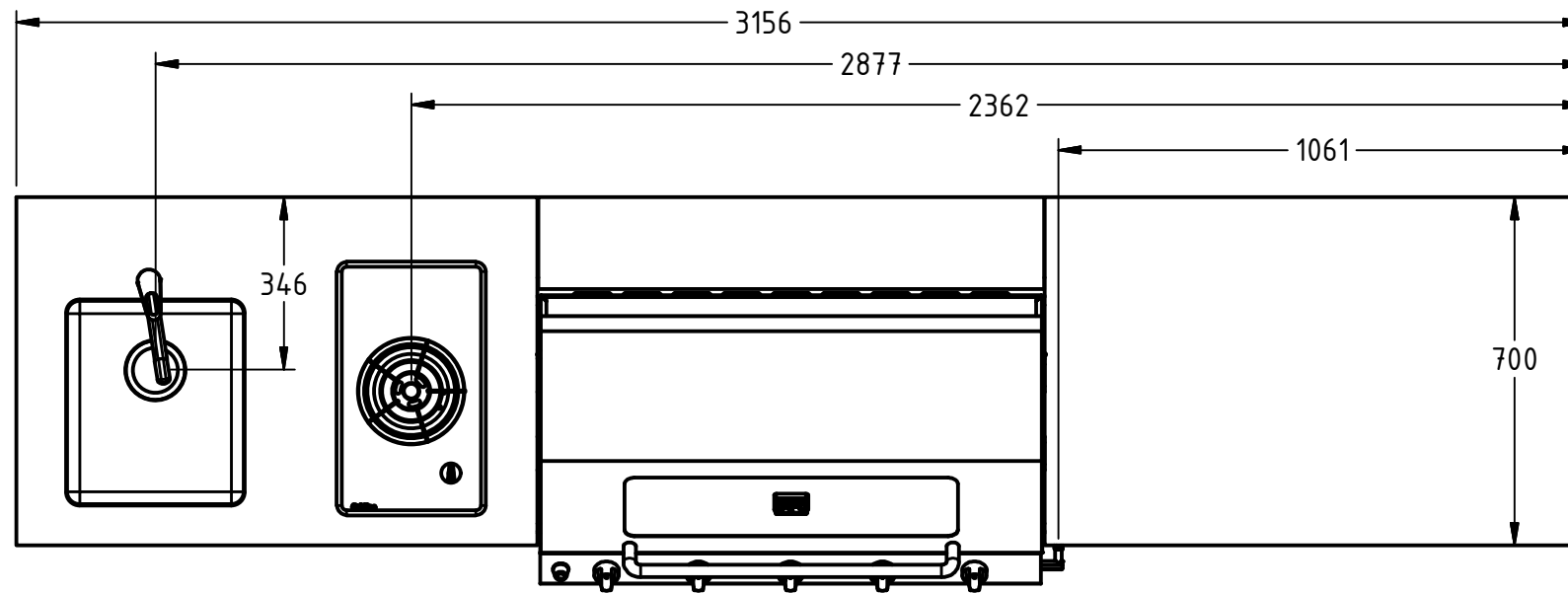


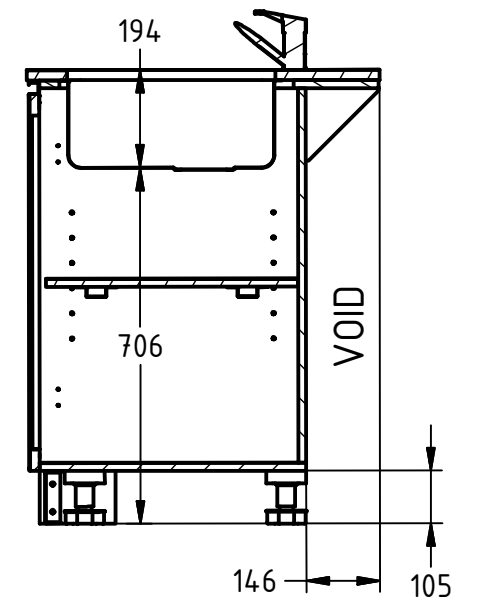
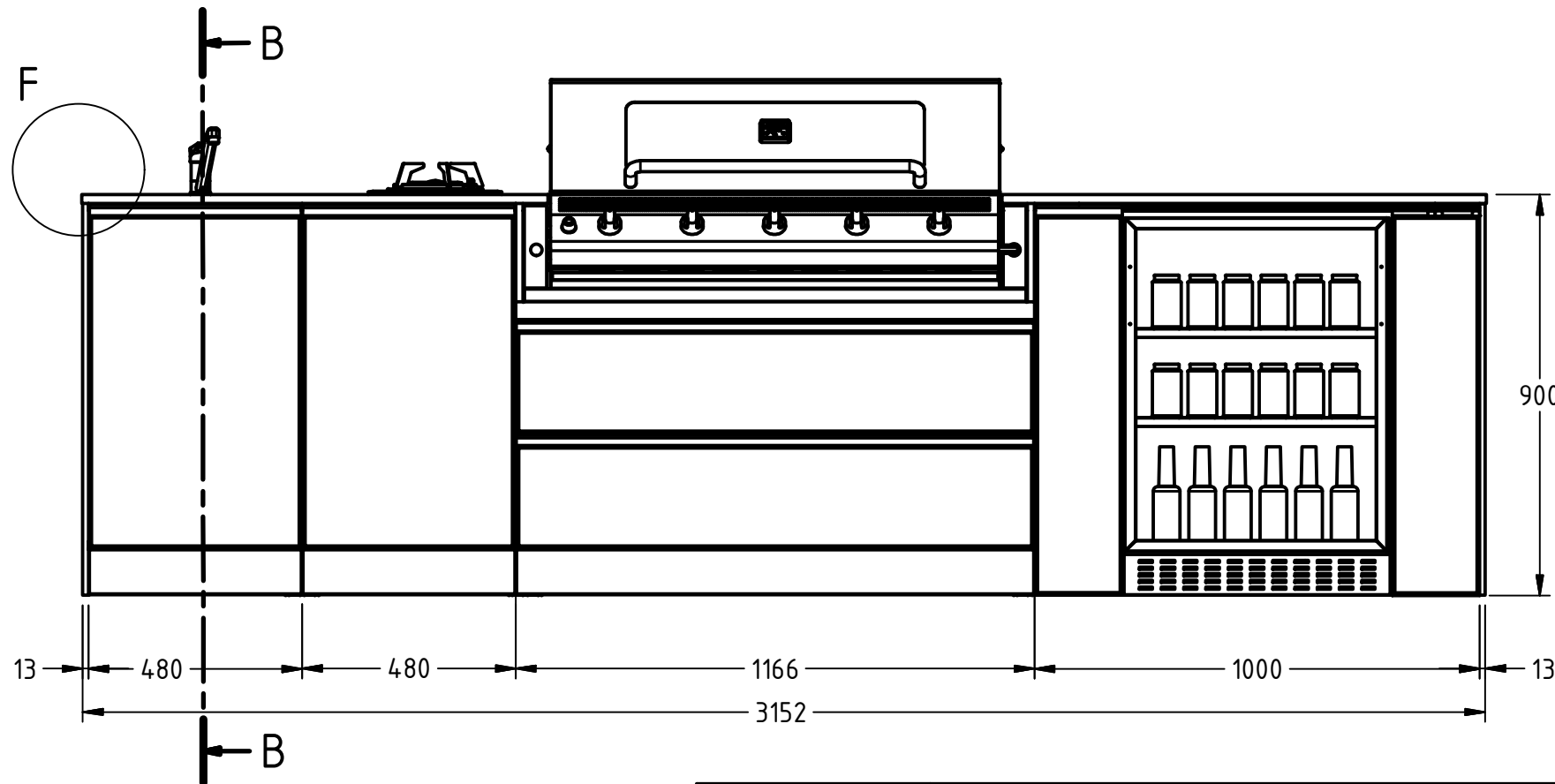
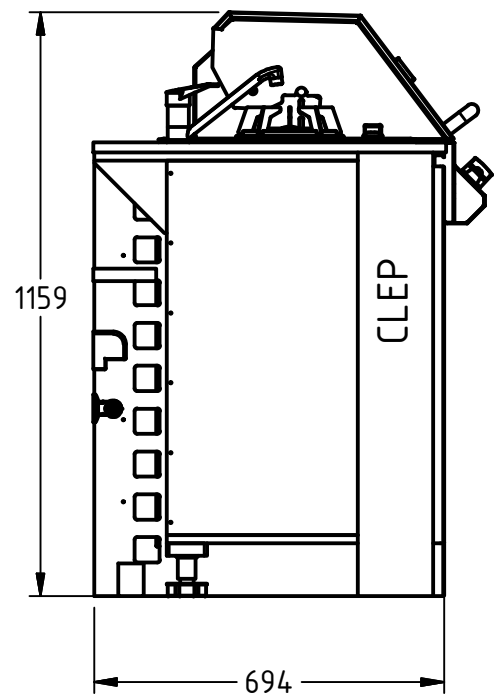
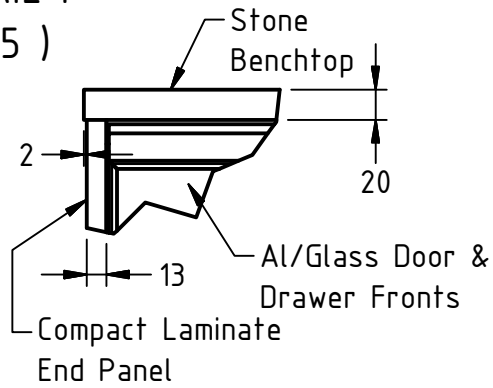
DOOR/DRAWER FRONT SPECIFICATION	
Feature	Specification
Material	AL/Glass
Thickness	D=21mm
Glass Profile	RIBBONED
Surface	Painted (Inside)
Colour Name	"GOTHAM"
Colour Chart	



BENCHTOP SPECIFICATION	
Feature	Specification
Material	tbc
Thickness	
Edge Face	
Surface Finish	
Colour Name	

END PANEL SPECIFICATION	
Feature	Specification
Material	Compact Laminate
Thickness	T=13mm
Edge Face	W=13mm
Surface Finish	Natural
Colour Name	tbc
Colour Chart	

DETAIL F  
( 1:5 )



SECTION B-B  
( 1 : 15 )

Check overall dimensions of outdoor kitchen permit fitting between any physical constraints at LHS and RHS of intended location on your property. Allow at least 2-3mm per metre of length of the outdoor kitchen for total LHS & RHS clearances necessary for fitting within the MINIMUM dimension between constraints

Title: Lifestyle Designer Series Outdoor Kitchen		Approved: [Signature]	
Customer Name: "Balmain"		Date:	
Job Number:		Date:	
ABM Representative:		Date:	
Designed By:		Date:	
Approved By:		Date:	

	GEN. TOL	
	Linear	Angular
X	± 1.0	± 2°
X.X	± 0.6	± 1°
X.XX	± 0.25	± 0.5°

REVISION HISTORY		
REV	REASON FOR CHANGES	DATE
0	Initial released for customer approval	

