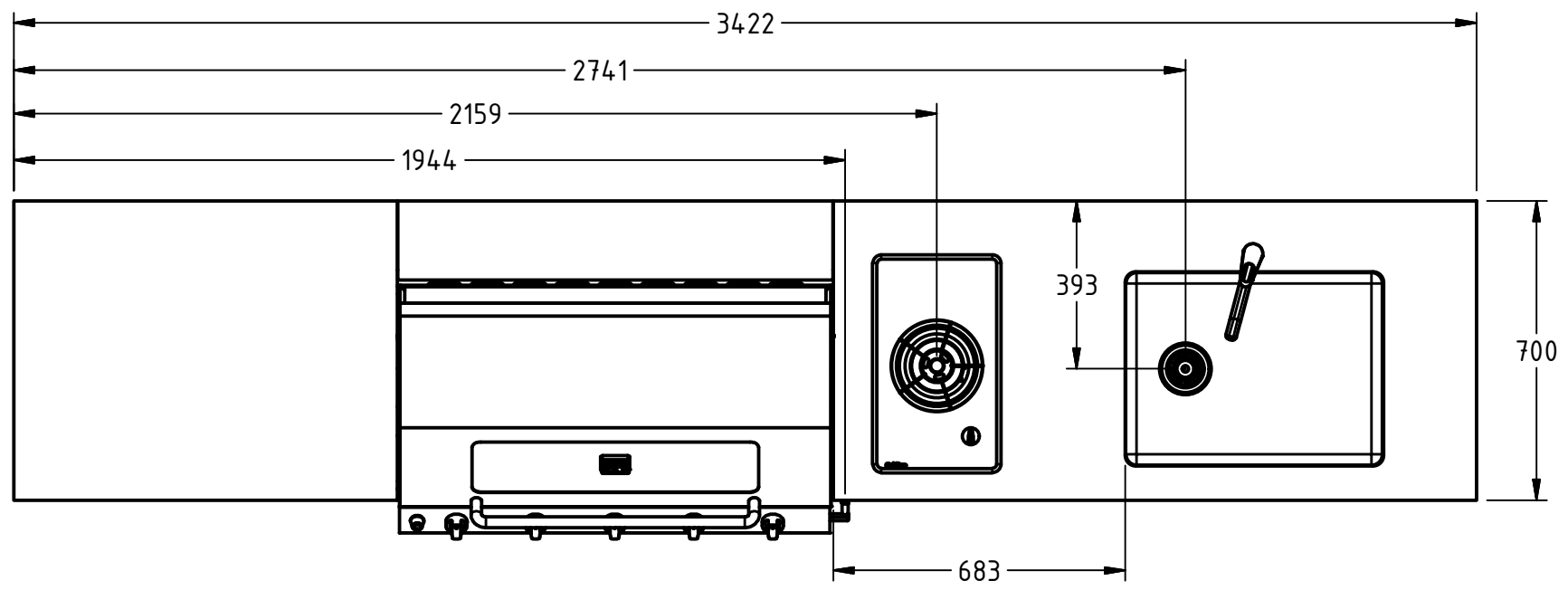
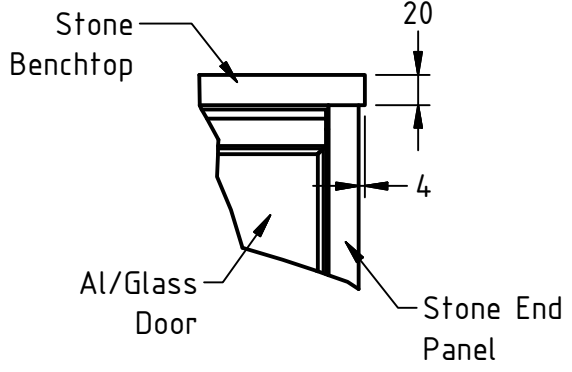


BENCHTOP SPECIFICATION	
Feature	Specification
Material	Quantum Quartz
Thickness	t=20mm
Edge Face	H=-20mm
Surface Finish	Polished
Colour Name	"Storm"

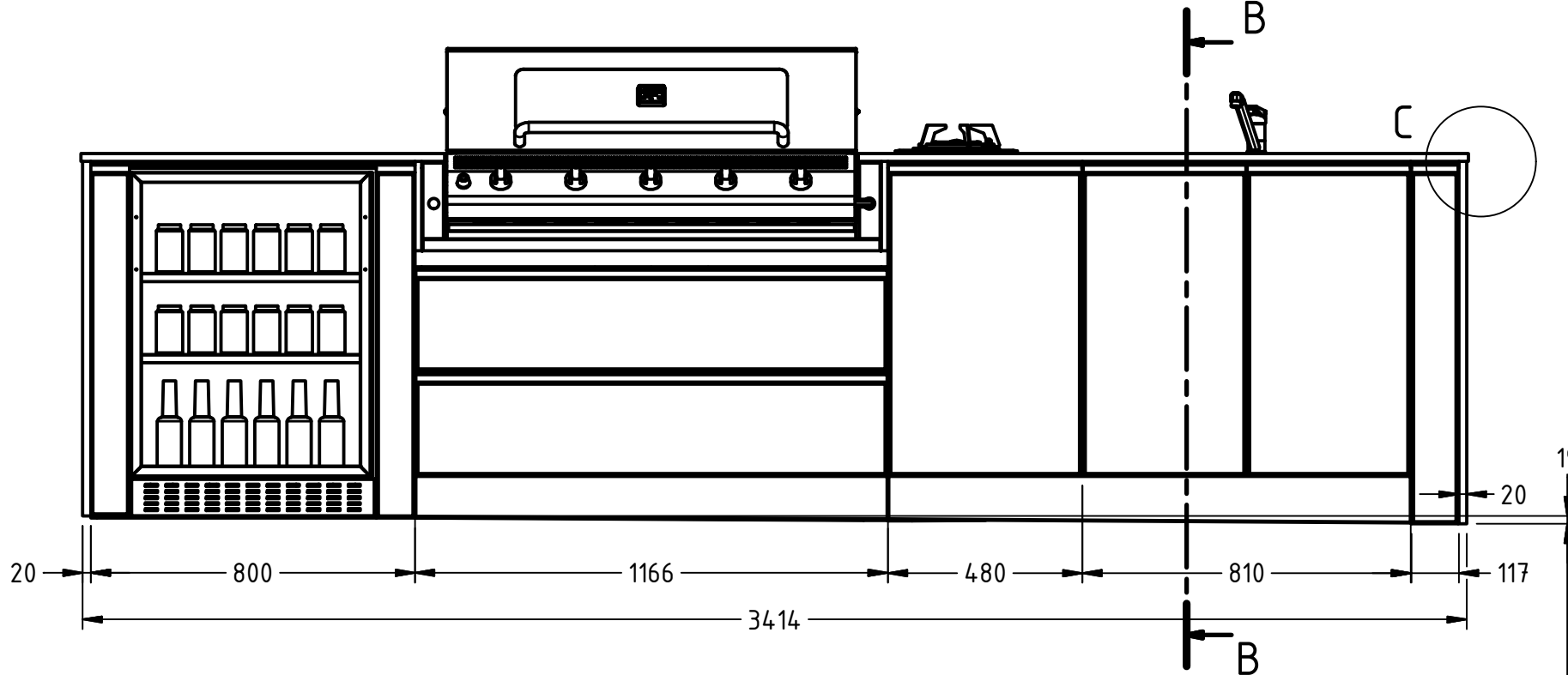
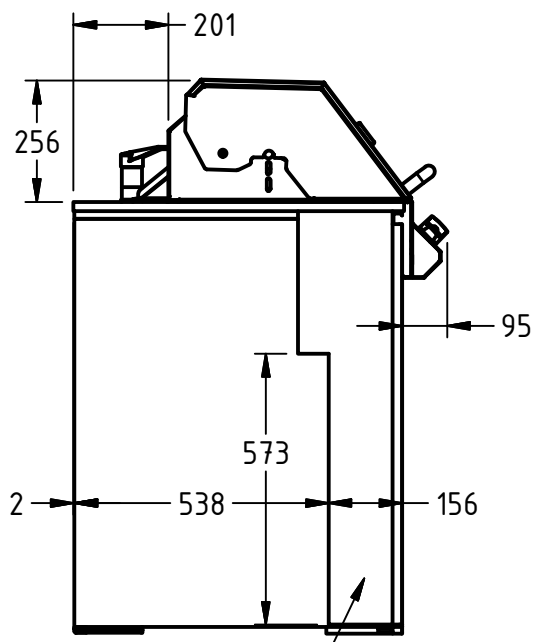
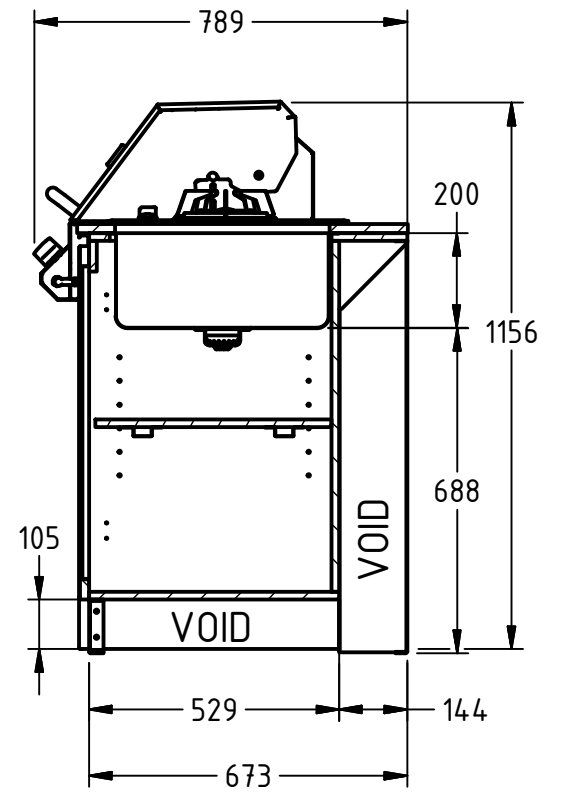
DOOR/DRAWER FRONT SPECIFICATION	
Feature	Specification
Material	Al/6mm Glass
Thickness	21mm
Surface	Painted (inside)
Colour Name	"BOGART"
Colour Chart	Dulux

END PANEL SPECIFICATION	
Feature	Specification
Material	Quantum Quartz
Thickness	t=20mm
Edge Face	W=20mm
Colour Name	"STORM"
Surface Finish	Polished

DETAIL C  
(1:5)



SECTION B-B  
(1:16)



approx 19mm fall from LHS to RHS over length of outdoor kitchen

Title: Lifestyle "Designer Series" Outdoor Kitchen		Approved: [Signature]	
Customer Name: "Dural"		Date:	
Job Number:		Date:	
ABM Representative:		Date:	
Designed By:		Date:	
Approved By:		Date:	

REVISION HISTORY		
REV	REASON FOR CHANGES	DATE
0	Initial released for Customer approval	

	GEN. TOL	
	Linear	Angular
X	± 1.0	± 2°
X.X	± 0.6	± 1°
X.XX	± 0.25	± 0.5°

