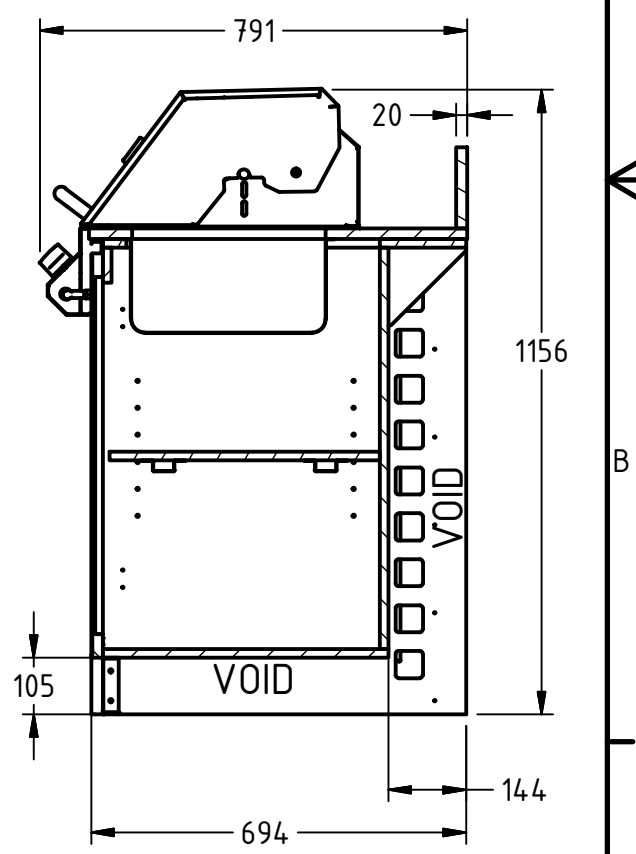
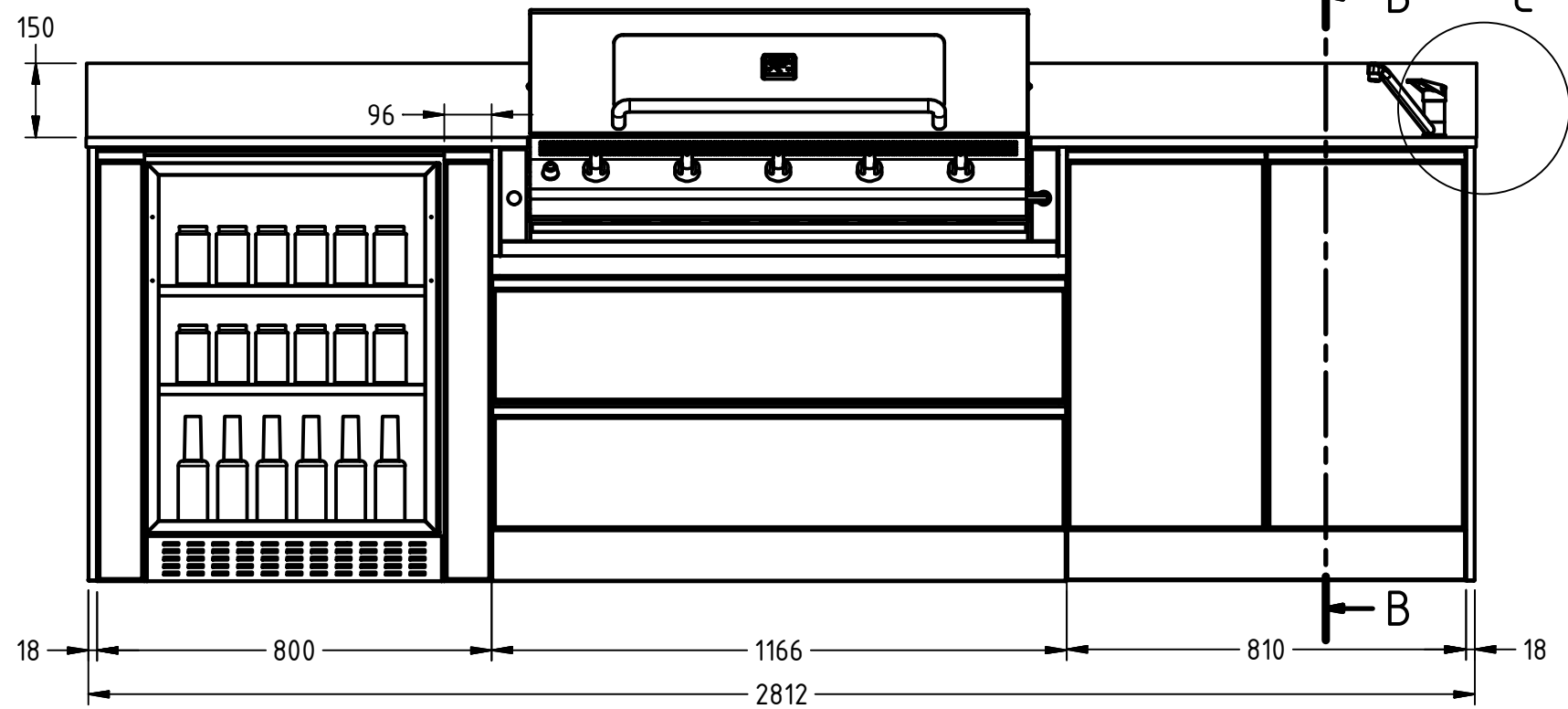
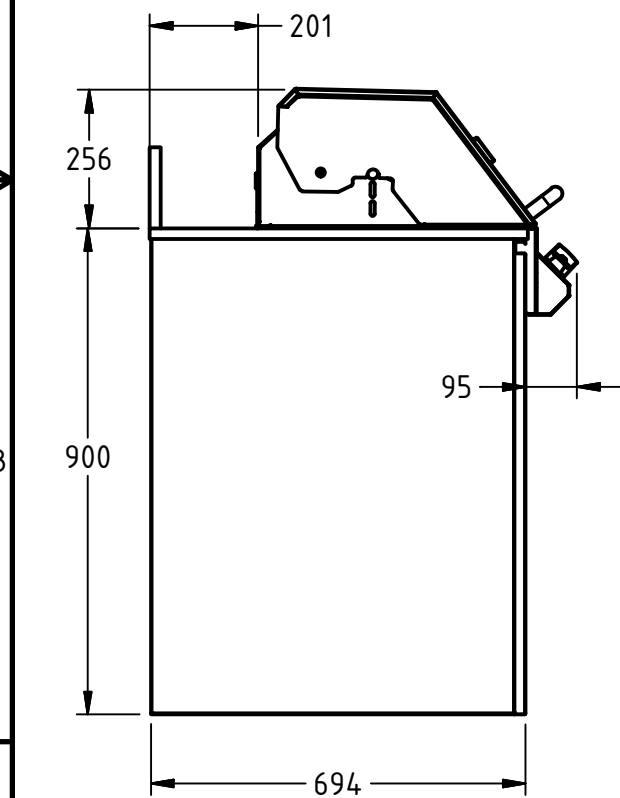
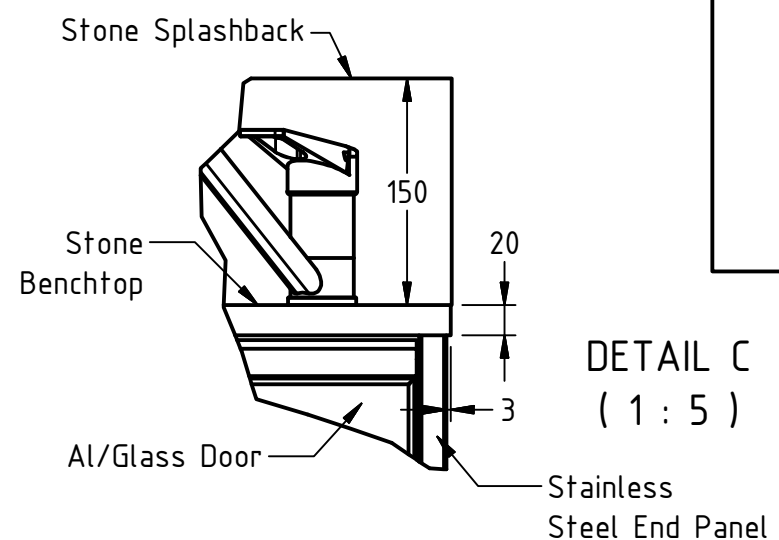
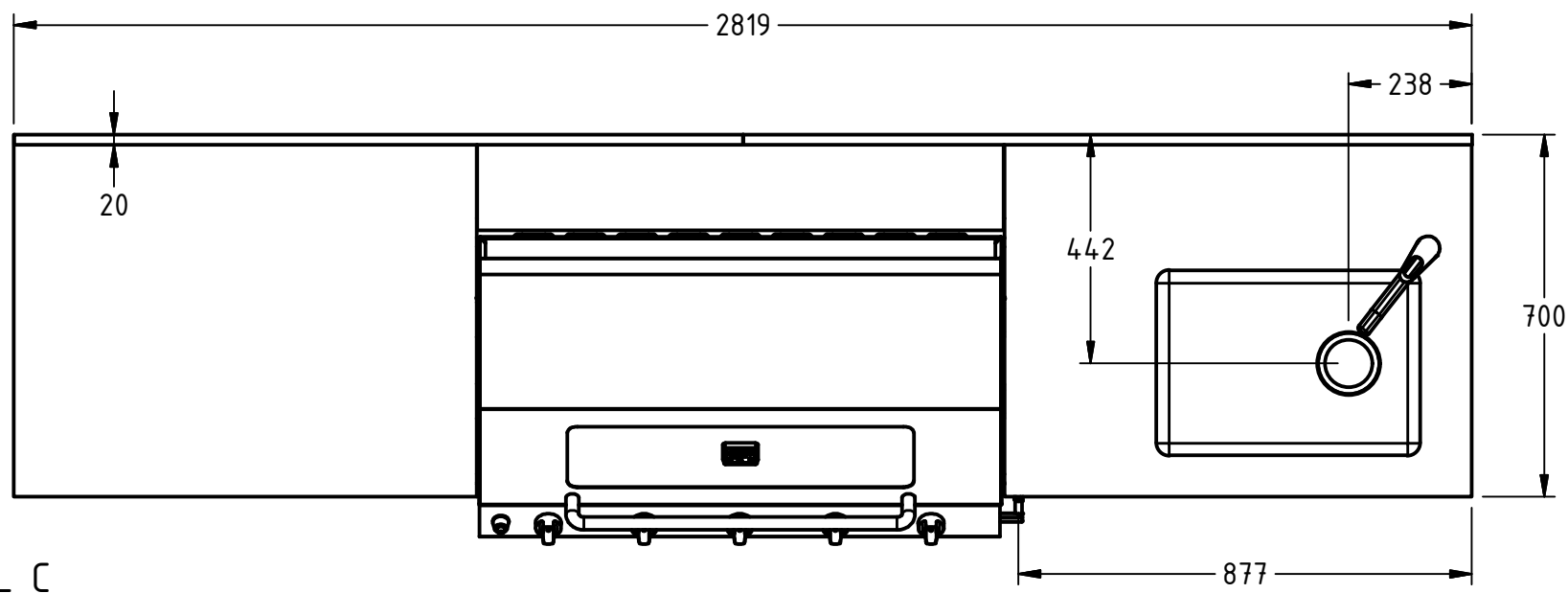


BENCHTOP SPECIFICATION	
Feature	Specification
Material	Quantum Quartz
Thickness	t=20mm
Edge Face	H=-20mm
Surface Finish	Polished
Colour Name	"CLOUDY BAY"

DOOR/DRAWER FRONT SPECIFICATION	
Feature	Specification
Material	Al/6mm Glass
Thickness	21mm
Surface	"STACKED" Glass
Colour Name	"GOTHAM" Metallic
Colour Chart	Dulux

END PANEL SPECIFICATION	
Feature	Specification
Material	Stainless Steel
Thickness	t=18mm
Edge Face	W=18mm
Surface Finish	#4



REVISION HISTORY		
REV	REASON FOR CHANGES	DATE
0	Initial released for Customer approval	

	GEN. TOL	
	Linear	Angular
X	± 1.0	± 2°
X.X	± 0.6	± 1°
X.XX	± 0.25	± 0.5°

Title: Lifestyle "Designer Series" Outdoor Kitchen		Approved: [Signature]	
Customer Name: "Black Rock"		Date:	
Job Number:		Date:	
ABM Representative:		Date:	
Designed By:		Date:	
Approved By:		Date:	

