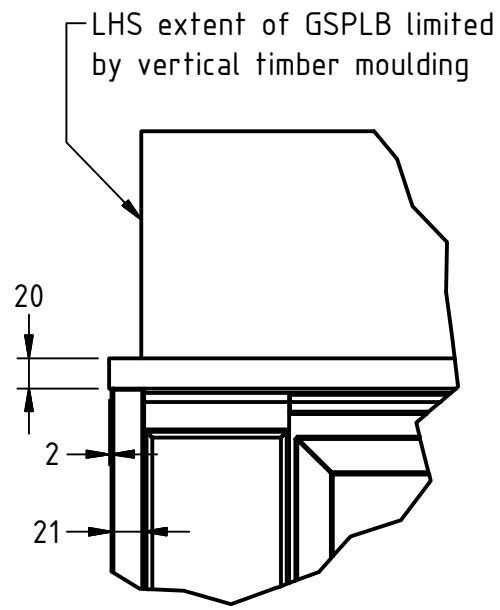
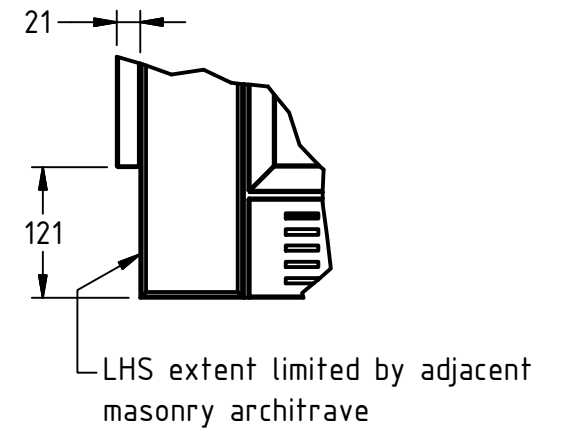


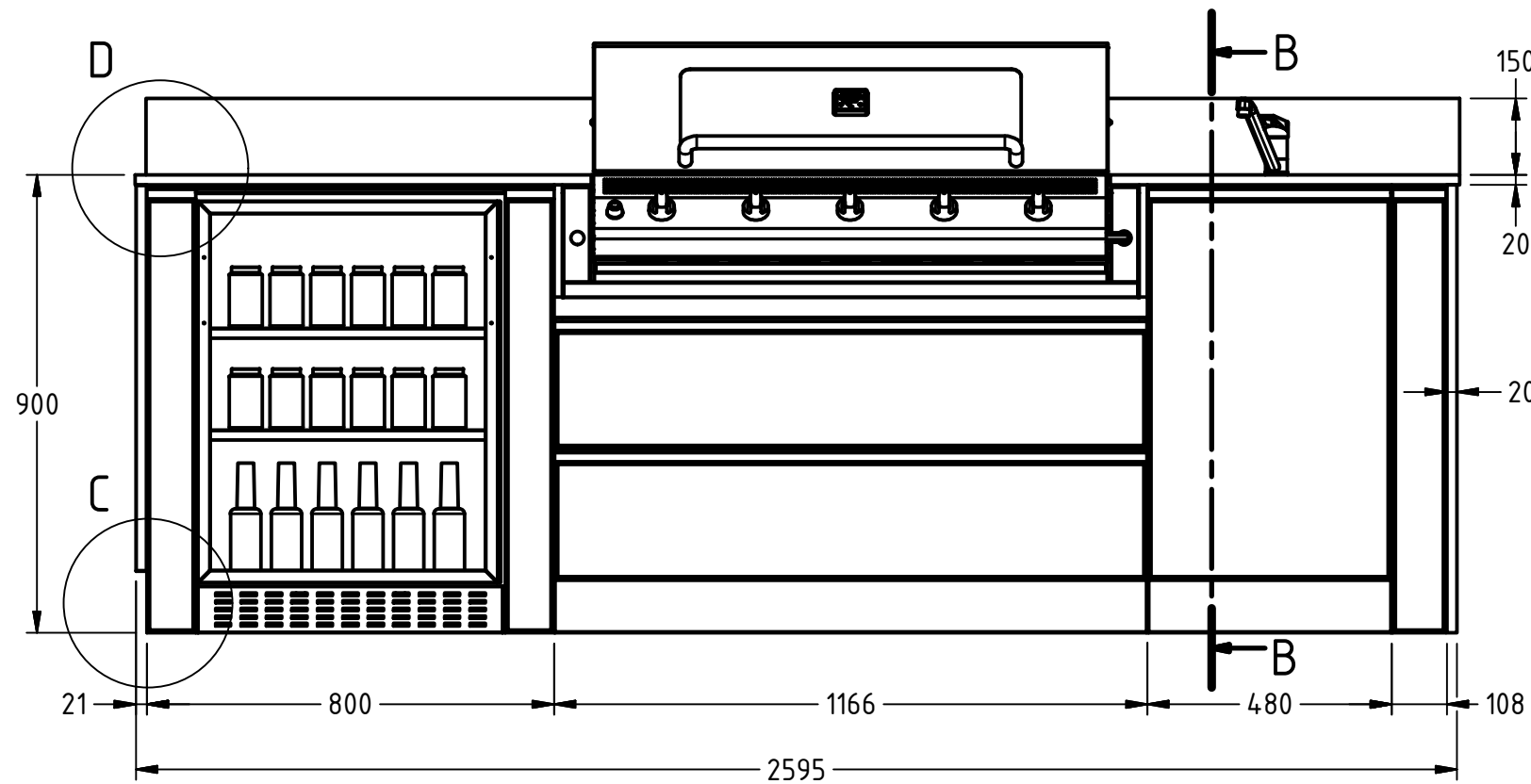
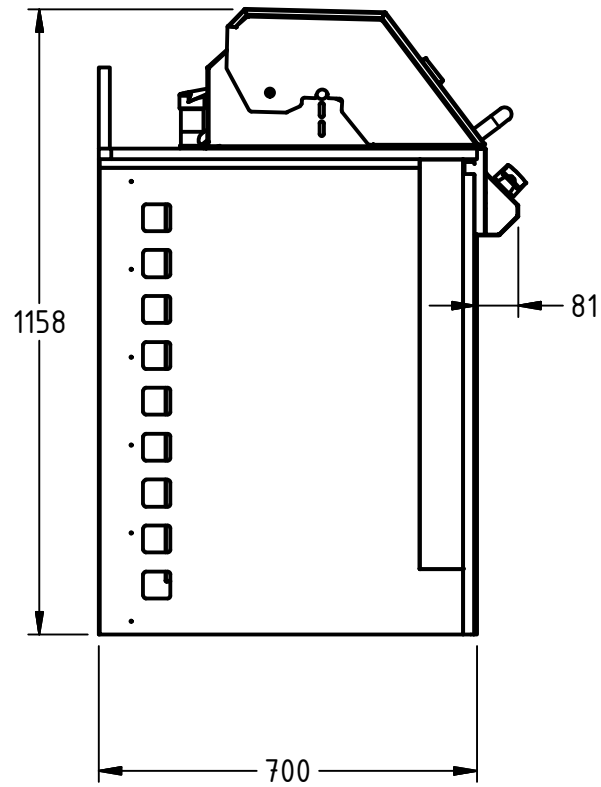
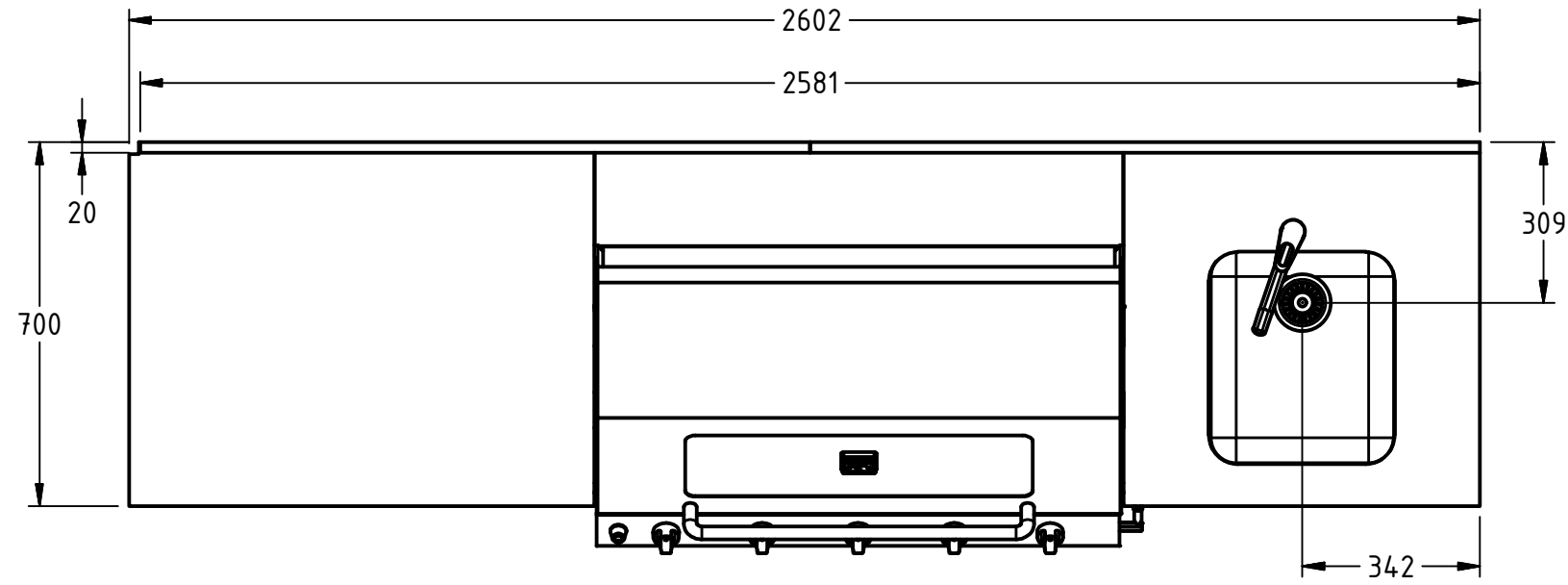
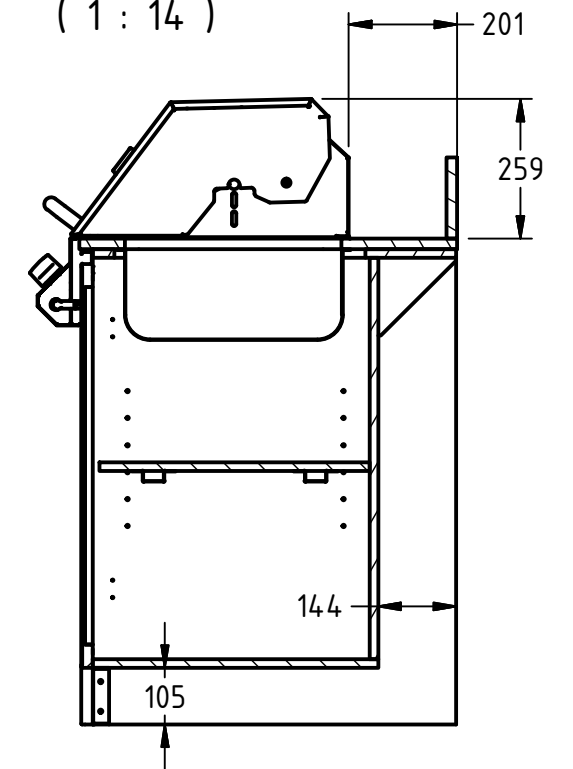
DETAIL D (1 : 5)



DETAIL C (1 : 7)



SECTION B-B (1 : 14)



#4 304SS

Title:		Lifestyle Modular "DESIGNER SERIES" Outdoor Kitchen	
Customer Name:		"Brookvale"	Approved: [Signature]
Job Number:		Date:	
ABM Representative:		Date:	Date:
Designed By:		Date:	Date:
Approved By:		Date:	Date:

	GEN. TOL	
	Linear	Angular
X	± 1.0	± 2°
X.X	± 0.6	± 1°
X.XX	± 0.25	± 0.5°

