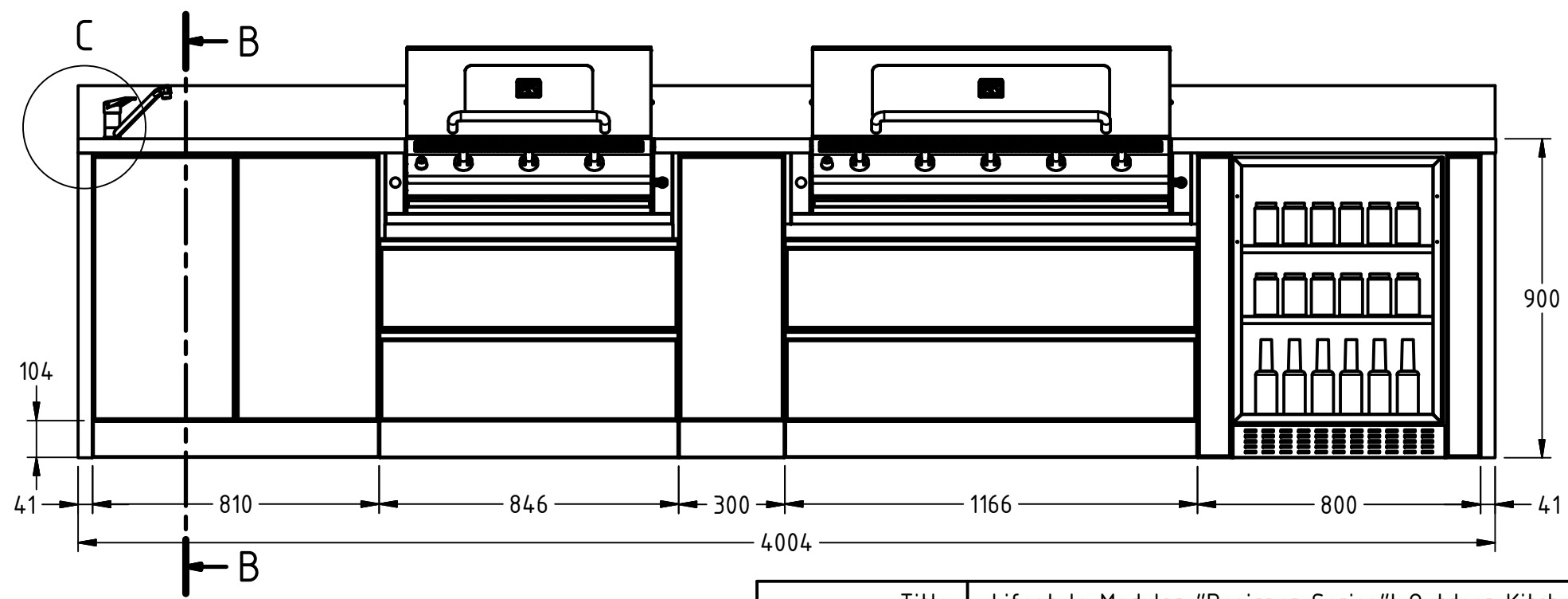
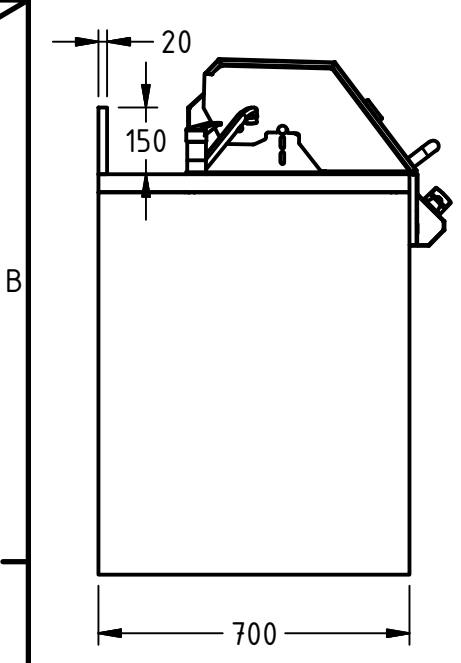
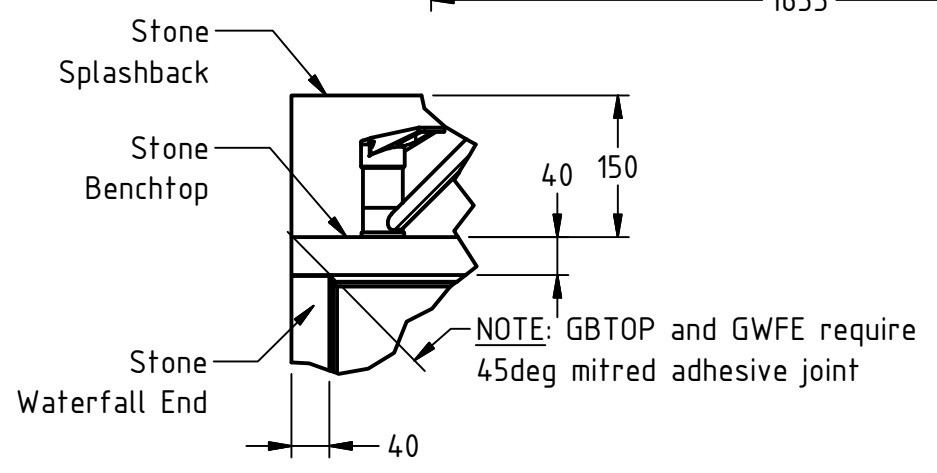


| BENCHTOP SPECIFICATION | |
|------------------------|---------------|
| Feature | Specification |
| Material | |
| Thickness | |
| Edge Face | |
| Surface Finish | |
| Colour Name | |

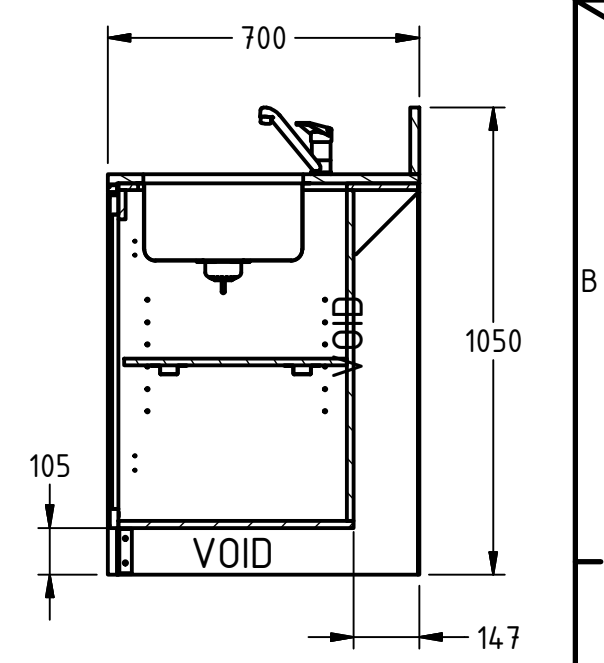
| END PANEL SPECIFICATION | |
|-------------------------|---------------|
| Feature | Specification |
| Material | |
| Thickness | |
| Edge Face | |
| Surface Finish | |
| Colour Name | |
| Colour Chart | |

| DOOR/DRAWER FRONT SPECIFICATION | |
|---------------------------------|---------------|
| Feature | Specification |
| Material | |
| Thickness | |
| Surface | |
| Colour Name | |
| Colour Chart | |

DETAIL C
(1 : 8)



SECTION B-B (1 : 17)



| | | | |
|-------------------------------------------------------------|--|-----------------------|--|
| Title: Lifestyle Modular "Designer Series"l Outdoor Kitchen | | Approved: [Signature] | |
| Customer Name: Queenscliff | | Date: | |
| Job Number: | | Date: | |
| ABM Representative: | | Date: | |
| Designed By: | | Date: | |
| Approved By: | | Date: | |

| REVISION HISTORY | | |
|------------------|--------------------|------|
| REV | REASON FOR CHANGES | DATE |
| 0 | Initial released | |

| | GEN. TOL | |
|------|----------|---------|
| | Linear | Angular |
| X | ± 1.0 | ± 2° |
| X.X | ± 0.6 | ± 1° |
| X.XX | ± 0.25 | ± 0.5° |

